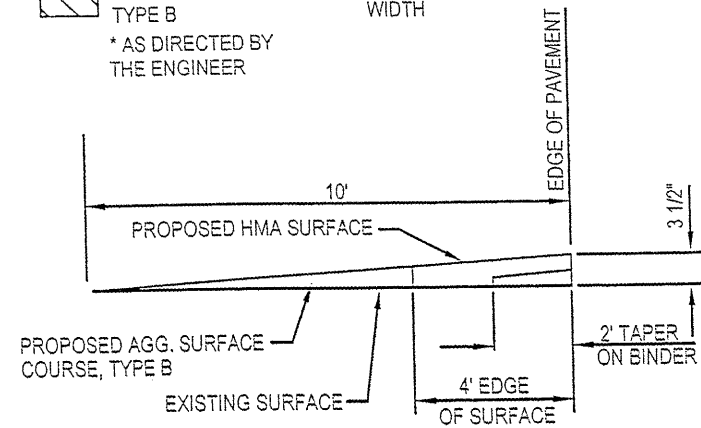


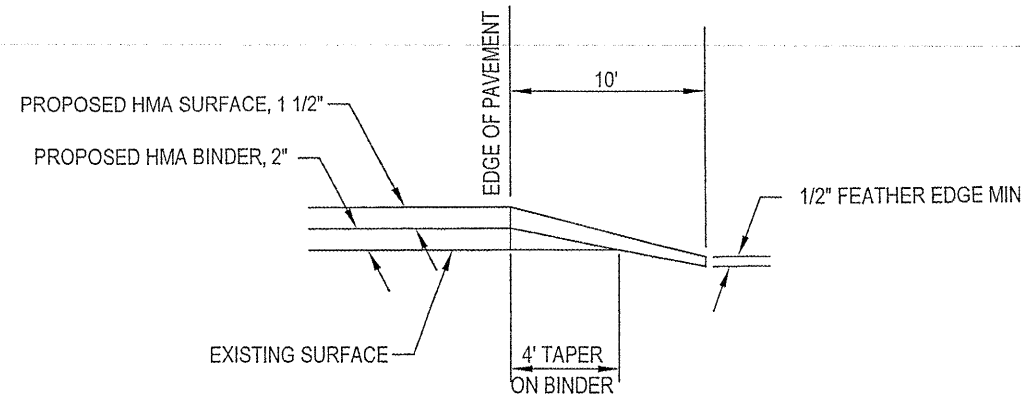
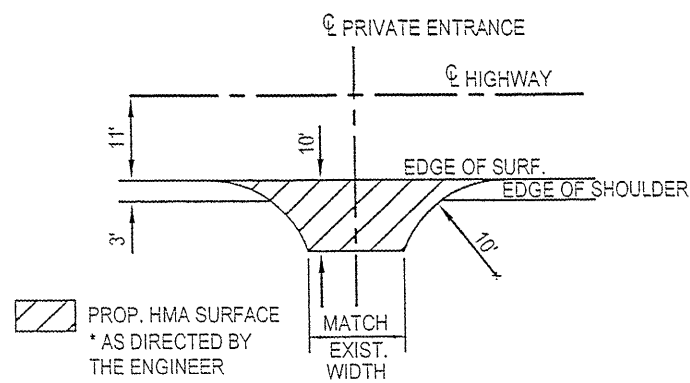
SIDEROAD DETAILS



FIELD ENTRANCE DETAILS

FIELD ENTRANCE QUANTITIES		
ENTRANCES	AGGREGATE SURFACE COURSE TYPE B, TON	HOT MIX ASPHALT SURFACE COURSE, MIX "C", N70, TON
ONE (1) ENTRANCE	2	1
TOTAL = 22 ENTRANCES	44	22

MAILBOX TURNOUT QUANTITIES		
TURNOUT	BITUMINOUS MATERIALS (PRIME COAT) GALLON	HOT MIX ASPHALT SURFACE COURSE, MIX "C", N70, TON
ONE (1) TURNOUT	3	1
TOTAL = 9 TURNOUTS	27	9



PRIVATE AND COMMERCIAL ENTRANCE DETAILS

SIDEROAD ENTRANCE QUANTITIES	
LOCATION	HOT MIX ASPHALT SURFACE COURSE, MIX "C", N70, TON
RT. STA. 167+87	15
RT. STA. 208+64	8
LT. STA. 208+67	9
RT. STA. 262+55	10
LT. STA. 262+55	9
TOTAL = 5 SIDEROADS	51

PRIVATE ENTRANCE QUANTITIES		
ENTRANCES	BITUMINOUS MATERIALS (PRIME COAT) GALLON	HOT MIX ASPHALT SURFACE COURSE, MIX "C", N70, TON
ONE (1) ENTRANCE	8	2
TOTAL = 18 ENTRANCES	144	36

COMMERCIAL ENTRANCE QUANTITIES		
ENTRANCES	BITUMINOUS MATERIALS (PRIME COAT) GALLON	HOT MIX ASPHALT SURFACE COURSE, MIX "C", N70, TON
ONE (1) ENTRANCE	24	4
TOTAL = 3 ENTRANCES	72	12