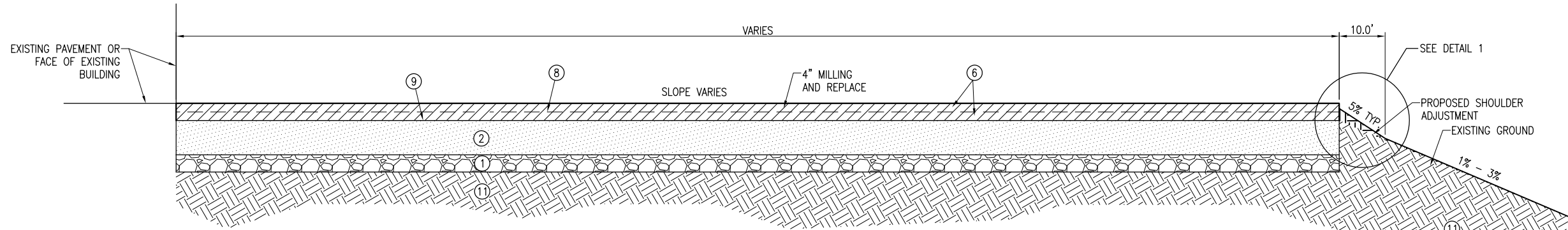
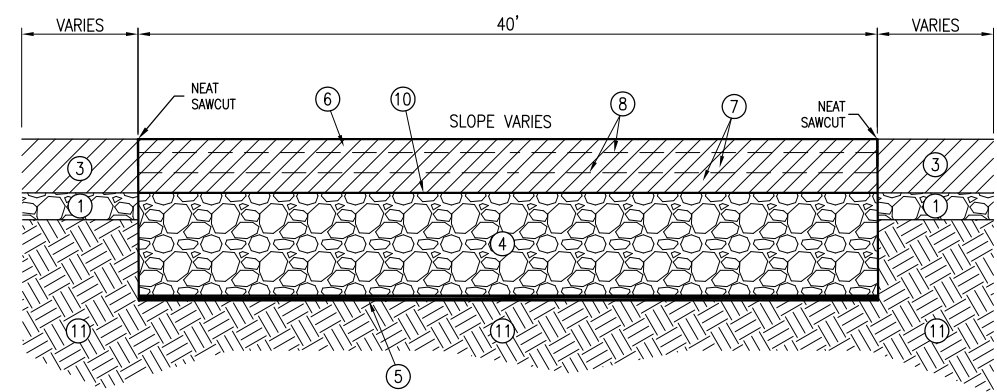


EXISTING APRON PAVEMENT – TYPICAL SECTION "A-A"
 "NOT TO SCALE"
 STA. 154+00 TO STA. 156+54



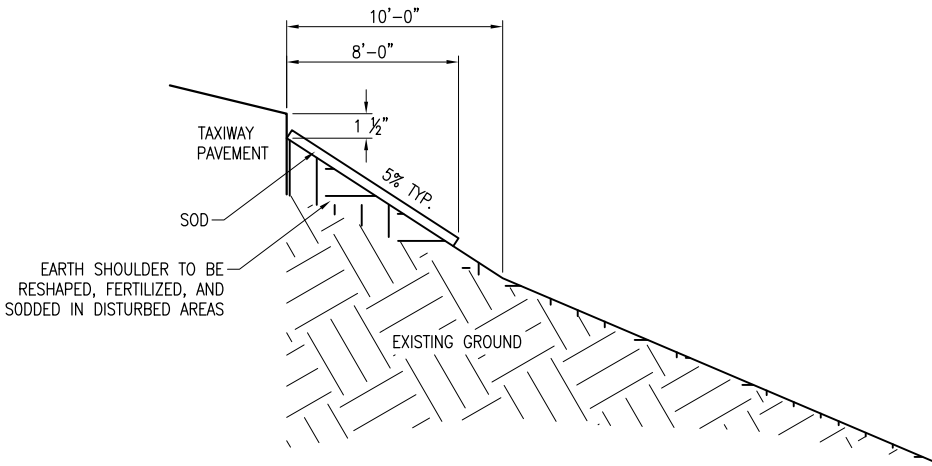
PROPOSED APRON PAVEMENT – TYPICAL SECTION "A-A"
 "NOT TO SCALE"
 STA. 154+00 TO STA. 166+54



PROPOSED PAVEMENT PATCH – TYPICAL SECTION
 "NOT TO SCALE"

LEGEND FOR TYPICAL SECTIONS

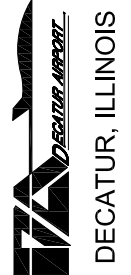
- ① EXISTING AR208 AGGREGATE BASE COURSE – 6"
- ② EXISTING AR401 BITUMINOUS – 7"-15" VARIABLE
- ③ EXISTING AR401 BITUMINOUS – 8"
- ④ PROPOSED AR209 CRUSHED AGGREGATE BASE COURSE – 15"
- ⑤ PROPOSED AR209 GEOTEXTILE FABRIC
- ⑥ PROPOSED AR401 BITUMINOUS SURFACE COURSE – 2"
- ⑦ PROPOSED AR401 BITUMINOUS SURFACE COURSE – 3"
- ⑧ PROPOSED AR603 BITUMINOUS TACK COAT (0.10 GAL./S.Y.)
- ⑨ PROPOSED AR603 BITUMINOUS TACK COAT (0.25 GAL./S.Y.)
- ⑩ PROPOSED AR602 BITUMINOUS PRIME COAT (0.30 GAL./S.Y.)
- ⑪ EXISTING SUBGRADE



DETAIL 1
 EARTH SHOULDER

NOTE:
 THE CONTRACTOR WILL REGRADE AND SOD THE DISTURBED EARTH SHOULDER. THE GRADING SHALL SHAPE THE EARTH SHOULDER TO CONFORM TO THE EARTH SHOULDER DETAIL. SODDING SHALL BE ACCOMPLISHED IN ACCORDANCE TO SPECIFICATION ITEM AR904510.

REVISION	DATE



Hanson Proj. No. 10A01360_0001	JSL	03/21/11
Filename R-521TYP.DWG	BAK	03/21/11
Scale NOT TO SCALE	RAW	04/07/11
Date 05/11/12		

HANSON
 Hanson Professional Services Inc. 2012
 1525 South Sixth Street
 Springfield, Illinois 62703-2886
 Ph: (217) 788-2450 Fax: (217) 788-2503
 www.hanson-inc.com
 Offices Nationwide

RECONSTRUCT NORTH GA RAMP
 EXISTING AND PROPOSED TYPICAL SECTIONS

MAY 14, 2012 9:00 AM HARR01115
 C:\PWSE-WORK\DO_NOT_DELETE\DM527480\R-521TYP.DWG