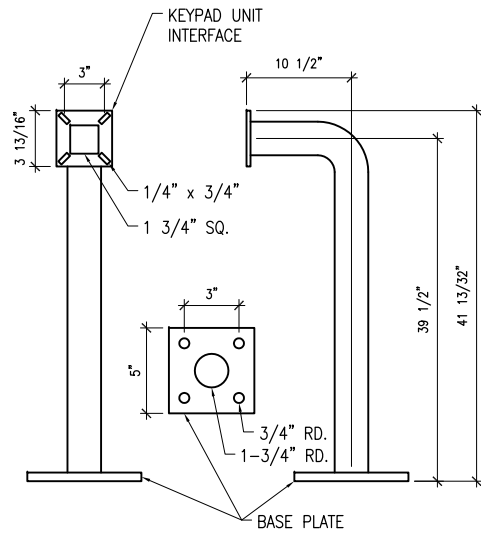


NOTES

1. THE EXPOSED PORTION OF THE BOLLARD SHALL BE PAINTED YELLOW EPOXY.
2. BOLLARD AND ASSOCIATED ITEMS ARE INCIDENTAL TO THE ELECTRIC SLIDING GATE.

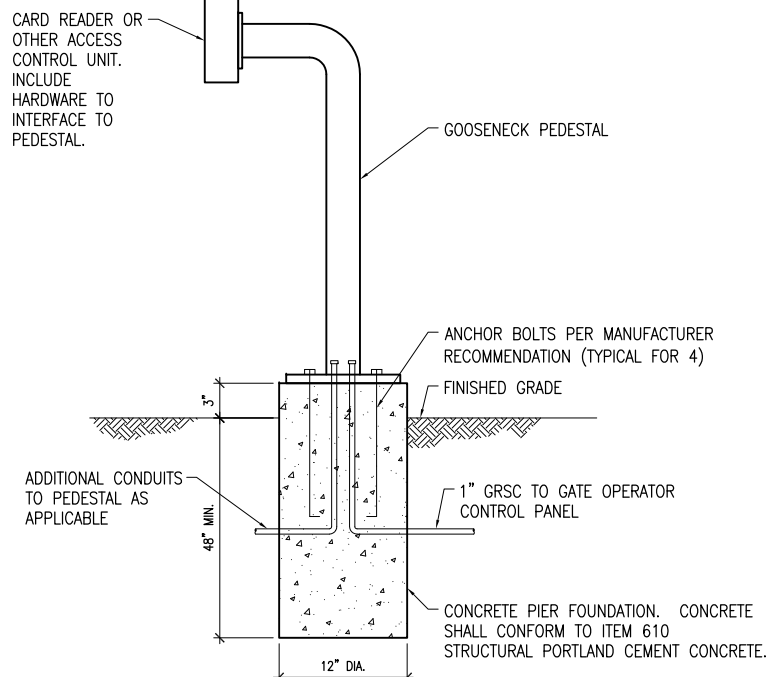
BOLLARD DETAIL



GOOSENECK PEDESTAL DETAIL

SCALE: NONE

NOTE:
GOOSENECK PEDESTAL SHALL BE AMERICAN ACCESS SYSTEMS, INC. (7079 SOUTH JORDAN RD., UNIT 6, ENGLEWOOD, CO 80112, PHONE: 800-541-5677, FAX 303-799-9756) MODEL 18-001 OR APPROVED EQUAL.



NOTES

1. EXISTING CARD READERS SHALL BE REMOVED. NEW CARD READERS SHALL BE FURNISHED & INSTALLED FOR GATE ENTRY/ACCESS.
2. INCLUDE #12 AWG EQUIPMENT GND WIRE TO CARD READER.
3. FACE OF CARD READER SHALL NOT EXTEND BEYOND BOLLARDS.

CARD READER ACCESS CONTROL UNIT PEDESTAL ELEVATION DETAIL

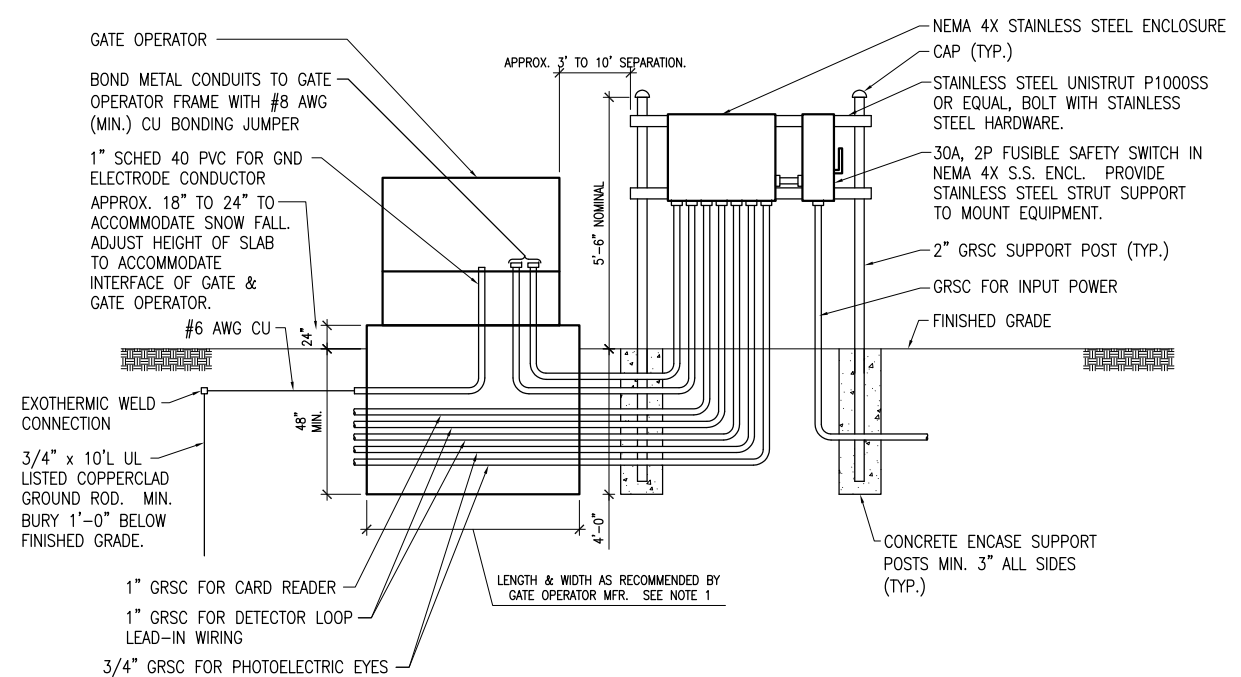
SCALE: NONE



NOTES

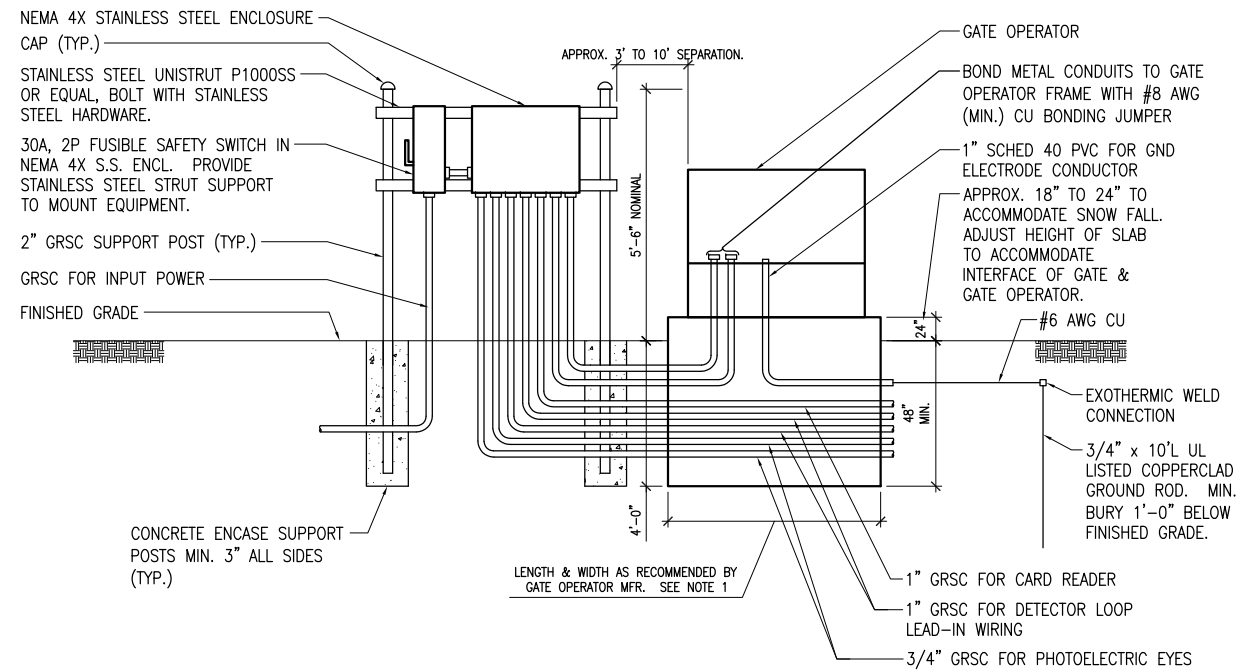
1. WARNING SIGNS/PLACARDS AS DETAILED ABOVE OR SIMILAR, SHALL BE INSTALLED WHERE CLEARLY VISIBLE ON BOTH SIDES OF EACH ELECTRIC SLIDE GATE. WARNING SIGNS SHALL BE WEATHERPROOF, CORROSION RESISTANT METAL, AS DETAILED ABOVE, AND IN ACCORDANCE WITH THE RESPECTIVE GATE MANUFACTURER'S RECOMMENDATIONS, HY-SECURITY PART NO. MX000882, OR EQUAL.

WARNING SIGN DETAIL



GATE OPERATOR FOUNDATION DETAIL 1

"NOT TO SCALE"



GATE OPERATOR FOUNDATION DETAIL 2

"NOT TO SCALE"

NOTES

1. FOUNDATION FOR GATE OPERATOR SHALL BE 48" MIN. IN DEPTH AND OF THE LENGTH & WIDTH RECOMMENDED BY THE MANUFACTURER.
2. COORDINATE CONDUITS INTO FOUNDATION.
3. CONFIRM CONDUIT SIZES AND WIRING REQUIREMENTS WITH THE GATE OPERATOR MFR. ADJUST/INCREASE CONDUIT SIZES WHERE APPLICABLE. REQUIREMENTS VARY BETWEEN DIFFERENT MANUFACTURERS.
4. ALL ENCLOSURES RATED NEMA 4, 4X SHALL HAVE WATERTIGHT HUBS AT CONDUIT ENTRANCES U.L. LISTED NEMA 4, 4X FOR THE RESPECTIVE ENCLOSURE, TO MAINTAIN THE NEMA 4, 4X RATING.
5. DETAIL NO. 1 ABOVE IS FOR GATE 1 (MAINTENANCE BLDG. GATE), GATE 5 (SOUTH T-HANGAR ACCESS GATE), & GATE 7 (FIRE STATIONS GATE).
6. DETAIL NO. 2 ABOVE IS FOR GATE 2 (NORTH T-HANGAR ACCESS GATE) & GATE 3 (GAIROS AVIATION GATE).

REVISION	DATE



IL PROJ.: DEC-4167 A.I.P. PROJ.: 3-17-0033-B4

Hanson Proj. No. 11A0083D			
Filename E-502.dwg			
Scale NOT TO SCALE			
Date 05/08/2012			
LAYOUT	KNL	04/11/12	
DRAWN	BAK	04/16/12	
REVIEWED	KNL/RAW	04/19/12	



REPLACE PERIMETER FENCE
CARD READER, BOLLARD & GATE OPERATOR DETAILS

MAY 08, 2012 1:31 PM HARR01115 pw:\sps-sv306\hanson.dom\hanson_projects\Documents\11A0083D\11A0083D\CAD\Airport_Sheet\E-502