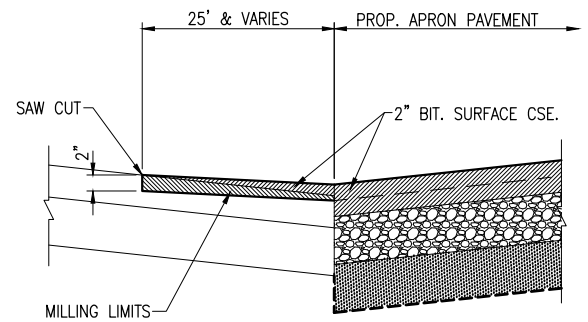
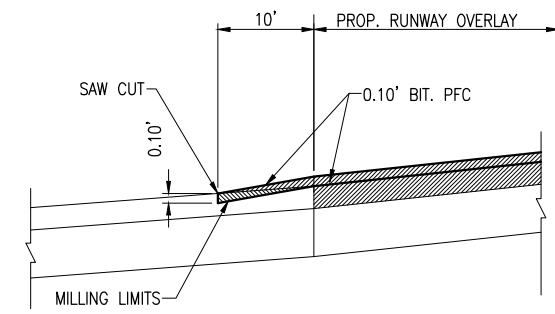


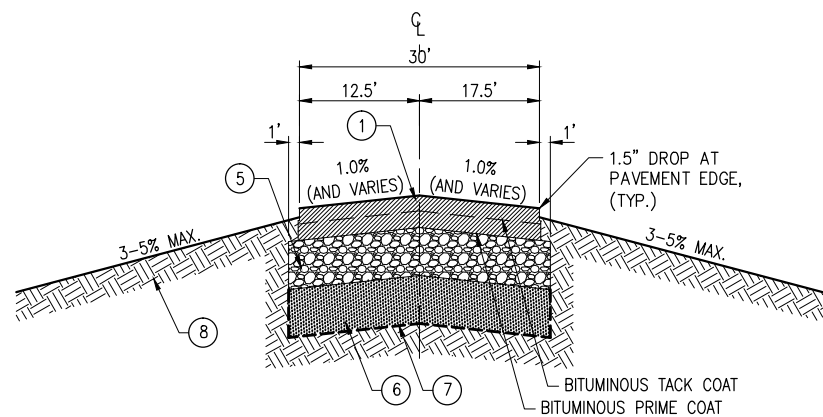
RUNWAY TYPICAL SECTION "A-A"
"NOT TO SCALE"



PROPOSED 2" BUTT JOINT DETAIL - APRON



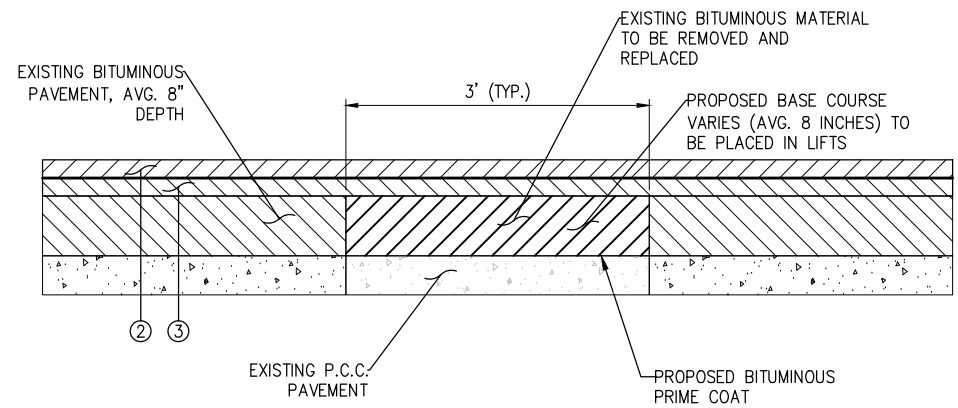
PROPOSED 0.10' BUTT JOINT DETAIL - RUNWAY



TAXIWAY A1 TYPICAL SECTION "B-B"

LEGEND FOR TYPICAL SECTION

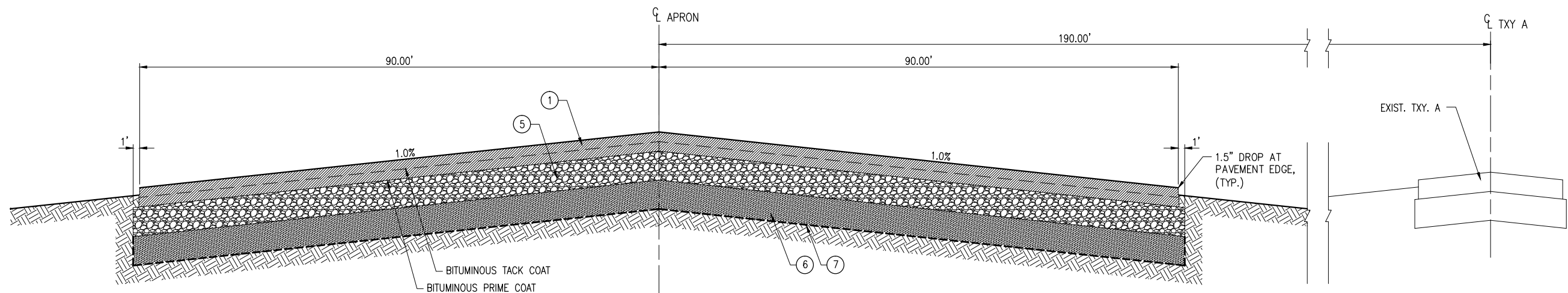
- ① PROPOSED AR401613: BIT. SURFACE COURSE 2"
- ② PROPOSED AR403613: BIT. BASE COURSE 2"
- ③ PROPOSED AR401620: BITUMINOUS SURFACE COURSE - LEVELING (TAPERED THICKNESS, 1.5" AVG. DEPTH)
- ④ PROPOSED AR401650: BITUMINOUS PAVEMENT MILLING (2" NOMINAL DEPTH)
- ⑤ PROPOSED AR209606 AGGREGATE BASE COURSE 6"
- ⑥ PROPOSED AR800589: COMPACTED ASPHALT MILLING SUBBASE 6"
- ⑦ PROPOSED AR156513: SEPARATION FABRIC
- ⑧ EXISTING GROUND



REMOVE AND REPLACE BITUMINOUS PAVEMENT

NOTES

- 1. TACK COAT TO BE PLACED BETWEEN LIFTS OF BASE COURSE.
- 2. BITUMINOUS PAVEMENT SAWING, IF REQUIRED, INCIDENTAL TO REMOVE AND REPLACE BITUMINOUS PAVEMENT.



APRON TYPICAL SECTION "C-C"

REVISION	DATE	BY

JOLIET REGIONAL AIRPORT
JOLIET PARK DISTRICT
JOLIET, ILLINOIS

IL. PROJ.: JOT-4043 A.I.P. PROJ.: 3-17-0056-B6

Hanson Project No. 09A0152D_0001	FILENAME: R-3011TYP.DWG	DATE: 5/14/12
SCALE: NOT TO SCALE	LAYOUT: KBS	DATE: 04/16/12
DATE: 5/14/12	DRAWN: LDH	DATE: 04/16/12
	REVIEWED: RAW	DATE: 4/20/12

HANSON
Hanson Professional Services Inc.
1525 South Sixth Street
Springfield, Illinois 62762
Offices Nationwide

REHAB RUNWAY 13-31, REPLACE APRON, CONSTRUCT TAXIWAY A1

TYPICAL SECTIONS