

MAY 14, 2012 12:06 PM SCHME01296
 I:\AIRPORTS\JOLIET\09A0152\CADD\AIRPORT\SHEET\R-151MRK.DWG - APRON MARKING PLAN

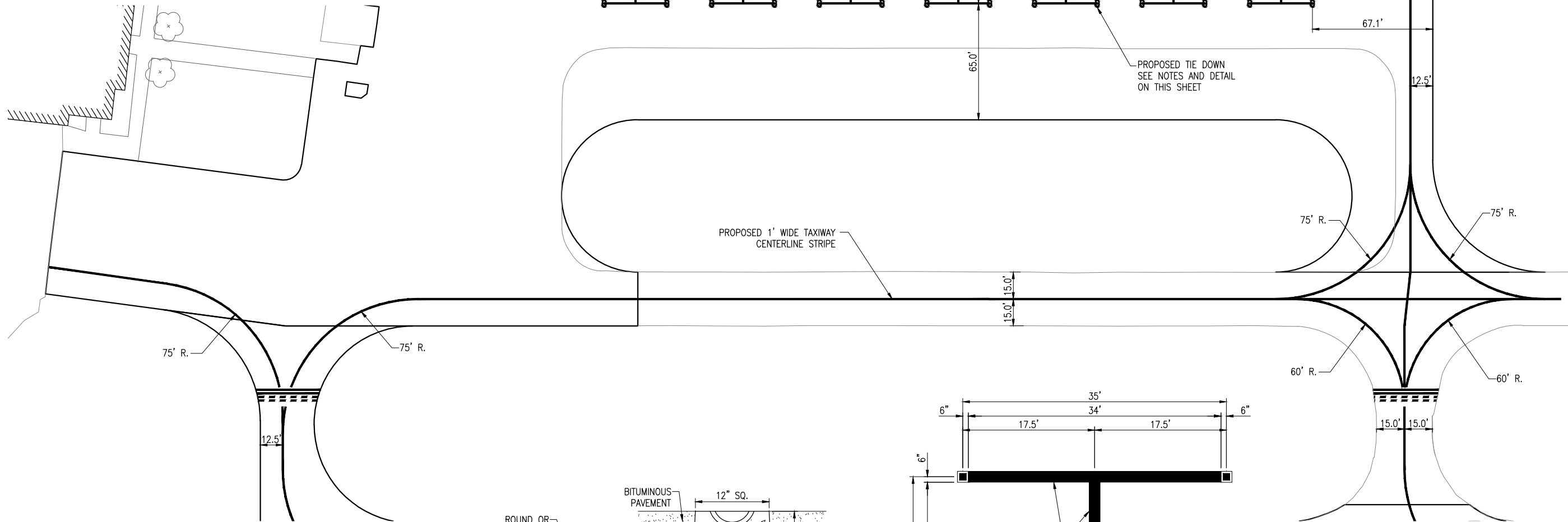
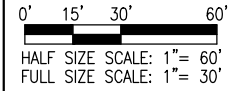
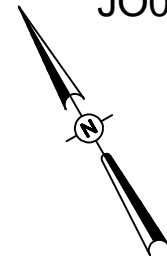
TIE DOWN NOTES

NEW TIE DOWNS WILL BE INSTALLED IN ACCORDANCE WITH DETAIL "B" AT THE LOCATIONS SHOWN ON THIS SHEET.
 THE PERIMETER OF EACH PROPOSED TIE DOWN SHALL BE SAWED.
 TIE DOWN CASTINGS SHALL BE NEENAH R-3490A OR EQUAL.
 CONCRETE SHALL MEET THE REQUIREMENTS OF 610 - STRUCTURAL CONCRETE.
 THE PROPOSED TIE DOWN MARKING WILL BE IN ACCORDANCE WITH DETAIL "A" ON THIS SHEET AND THE SPECIFICATIONS.
 THE TIE DOWNS WILL BE PAID FOR UNDER ITEM:
 AR510510 "TIE DOWN" _____ PER EA.

MARKING NOTES

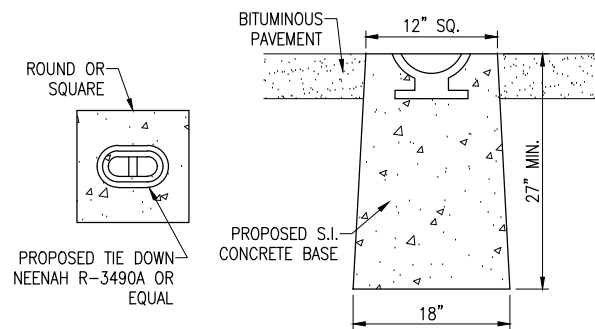
ALL TAXIWAY CENTERLINE AND TIE-DOWN MARKING SHALL BE 1' IN WIDTH AND SOLID. ALL MARKING WILL BE AS DETAILED.
 ALL WHITE AND YELLOW MARKING WILL HAVE A REFLECTIVE MEDIA. APPLICATION RATES WILL BE IN ACCORDANCE WITH THE SPECIAL PROVISIONS.
 "CUT-OFF" SHEETS SHALL BE USED TO INSURE STRAIGHT EDGES.
 THE PROPOSED MARKING WILL BE PAID FOR UNDER ITEM:
 AR620520 "PAVEMENT MARKING-WATERBORNE" PER S.F.
 AR620525 "PAVEMENT MARKING-BLACK BORDER" PER S.F.
 AR620530 "PAVEMENT MARKING-EPOXY" PER S.F.

JO021

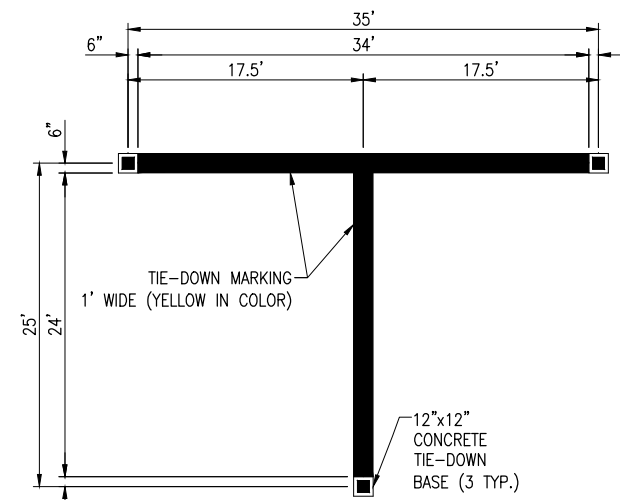


LEGEND

- PROPOSED PAVEMENT IMPROVEMENTS
- PROPOSED MARKING
- PROPOSED TIE-DOWNS



TIE DOWN DETAIL "B"
 "NOT TO SCALE"



TIE DOWN MARKING DETAIL "A"
 "NOT TO SCALE"

DATE	REVISION	BY

JOLIET REGIONAL AIRPORT
JOLIET PARK DISTRICT
JOLIET, ILLINOIS

IL. PROJ.: JOT-4043 A.I.P. PROJ.: 3-17-0056-B6

Hanson Project No. 09A0152D_0001			
Filename: R-151MRK.DWG			
Scale: 1" = 30'			
Date: 5/14/12			
LAYOUT	KBS	04/19/12	
DRAWN	BAK	04/19/12	
REVIEWED	RAW	4/20/12	



REHAB RUNWAY 13-31, REPLACE APRON, CONSTRUCT TAXIWAY A1

APRON MARKING PLAN