

STATE OF ILLINOIS
DEPARTMENT OF TRANSPORTATION

F.A.S. RTE.	SECTION	COUNTY	TOTAL SHEETS	SHEET NO.
66 (CR)	SANGAMON CO 2018	SANGAMON	7	1
		ILLINOIS	CONTRACT NO. 72K25	

*FAS 1613 & OR 1643

D-96-011-18



PROPOSED IMPROVEMENTS

FAS1613 & OR1643 (OLD US54/36 & OLD US66)
SECTION D6 (CR) SANGAMON CO 2018
REPLACE CMP CULVERTS

SANGAMON CO.
C-96-018-18

FOR INDEX OF SHEETS, SEE SHEET NO. 2

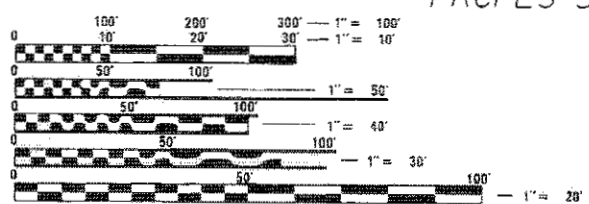
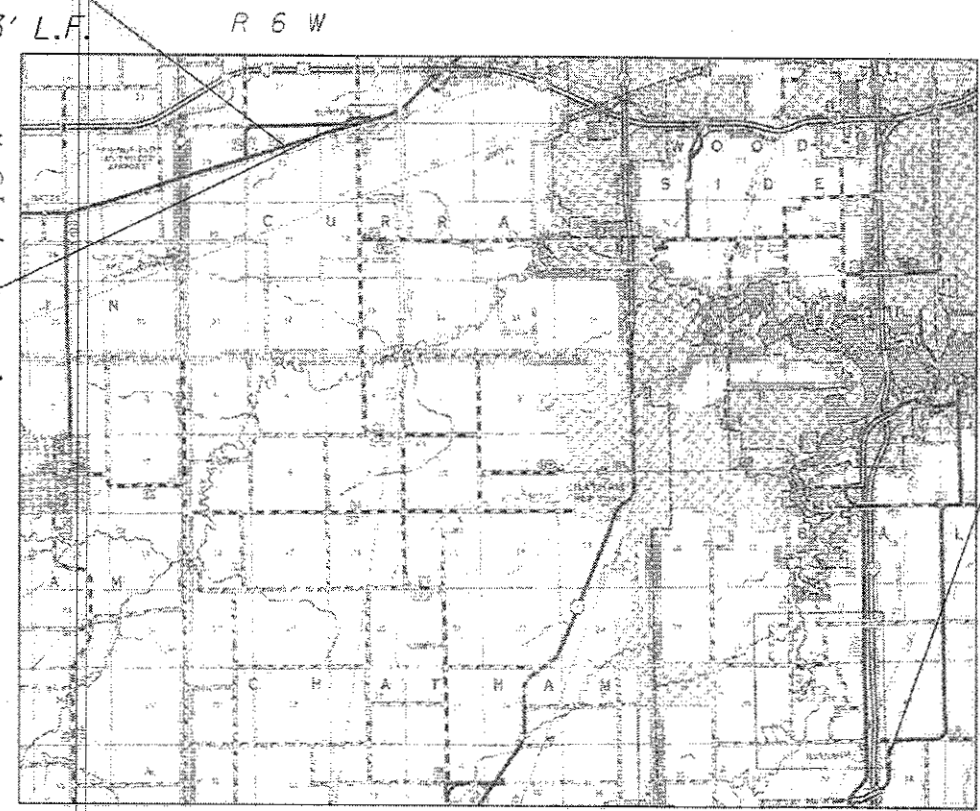
OLD US 54/ 36
ADT = 2850
SU = 6.14%
MU = 2.11%
PV = 91.75%

OLD US 66
ADT = 900
SU = 2.22%
MU = 0.67%
PV = 97.11%

PROJECT BEGINS
STA. 259+00
PIPE CULVERT 30",
CLASS A, TY. 1, 43' L.F.
PRCFES 30"

STA. 283+00
PIPE CULVERT 30",
CLASS A, TY. 1, 43' L.F.
PRCFES 30"

PROJECT ENDS
STA. 128+64
PIPE CULVERT 24",
CLASS A, TY. 2, 54' L.F.
PRCFES 24"



FULL SIZE PLANS HAVE BEEN PREPARED USING STANDARD ENGINEERING SCALES. REDUCED SIZED PLANS WILL NOT CONFORM TO STANDARD SCALES. IN MAKING MEASUREMENTS ON REDUCED PLANS, THE ABOVE SCALES MAY BE USED.

J.U.L.I.E.
JOINT UTILITY LOCATION INFORMATION FOR EXCAVATION
1-800-892-0123
OR 811

PROJECT ENGINEER : MIKE IRWIN - (217)524-7765
PROJECT MANAGER : TIM SHARP - (217)524-9160

CONTRACT NO. 72K25

STATE OF ILLINOIS
DEPARTMENT OF TRANSPORTATION

SUBMITTED 3 April 2018
[Signature]
REGION FOUR ENGINEER

May 11 2018
[Signature]
ENGINEER OF DESIGN AND ENVIRONMENT

May 11 2018
[Signature]
DIRECTOR OF HIGHWAYS PROJECT IMPLEMENTATION 3

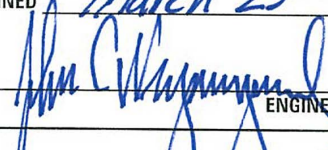
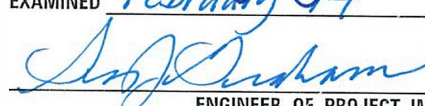
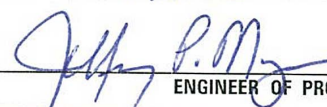
PRINTED BY THE AUTHORITY
OF THE STATE OF ILLINOIS

INDEX OF SHEETS

SHEET NO.	DESCRIPTION
1.	COVER SHEET
2.	INDEX OF SHEETS, STANDARDS, GENERAL NOTES & SIGNATURE
3.	SUMMARY OF QUANTITIES
4.	SCHEDULE OF QUANTITIES
5.	PROJECT LOCATION MAP
6 - 7.	TYPICAL SECTIONS

STANDARDS

STANDARD NO.	DESCRIPTION
542301-03	PRECAST REINFORCED CONCRETE FLARED END SECTION
701001-02	OFF-RD OPERATIONS, 2L, 2W, MORE THAN 15' AWAY
701006-05	OFF-RD OPERATIONS, 2L, 2W, 15' TO 24" FROM PAVEMENT EDGE
701011-04	OFF-RD MOVING OPERATIONS, 2L, 2W, DAY ONLY
701201-04	LANE CLOSURE, 2L, 2W, DAY ONLY, FOR SPEEDS ≥ 45 MPH
701901-07	TRAFFIC CONTROL DEVICES

STATE OF ILLINOIS DEPARTMENT OF TRANSPORTATION DIVISION OF HIGHWAYS DISTRICT 6	
EXAMINED <u>March 29th</u> 20 <u>18</u>	
	ENGINEER OF OPERATIONS
EXAMINED <u>February 14th</u> 20 <u>18</u>	
	ENGINEER OF PROJECT IMPLEMENTATION
EXAMINED <u>March 26</u> 20 <u>18</u>	
	ENGINEER OF PROGRAM DEVELOPMENT

0-01624-6012
CONSTR. CODE

100%

STATE

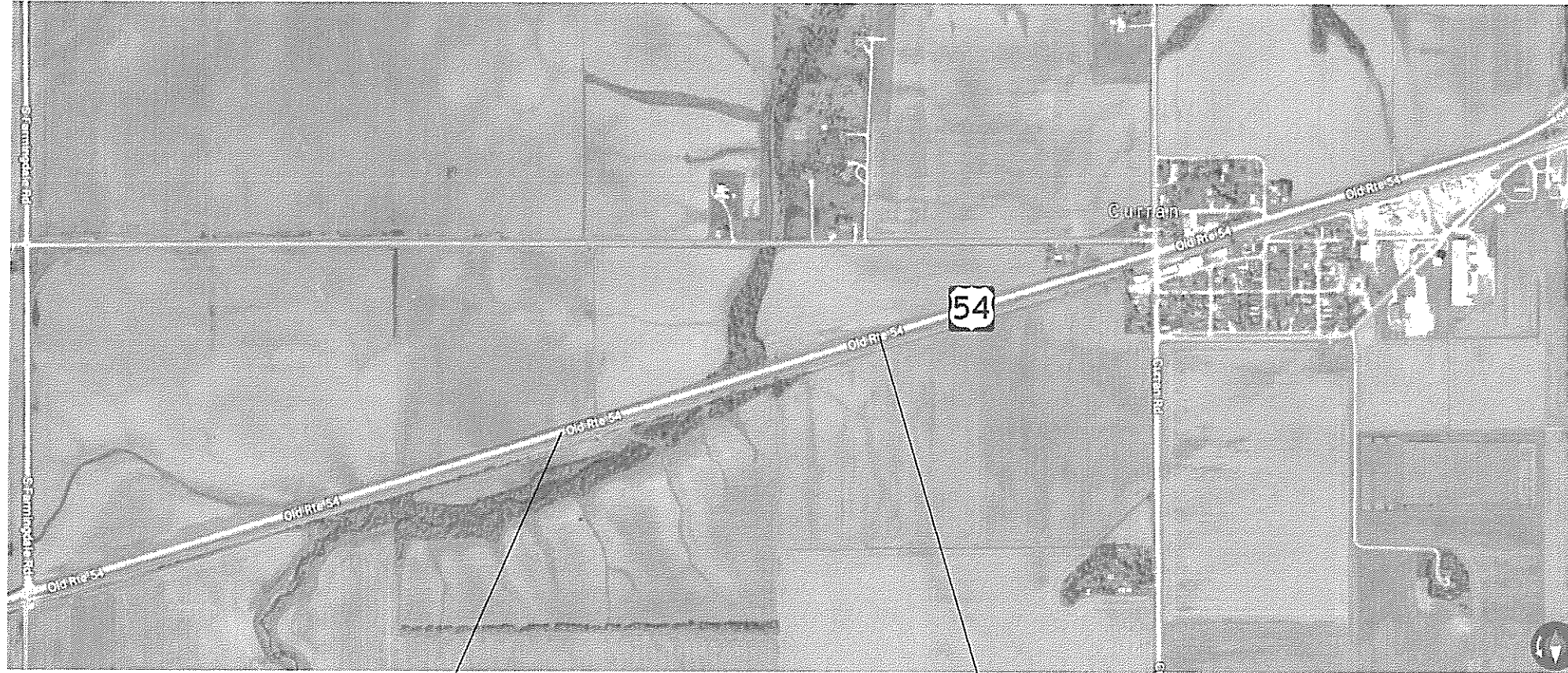
SANGAMON
PIPE CULVERT
0004
URBAN

CODE NO.	ITEM	UNIT	TOTAL QUANTITY	
20800150	TRENCH BACKFILL	CU YD	85	85
44201329	CLASS C PATCHES, TYPE II, 8 INCH	SQ YD	32	32
44201365	CLASS C PATCHES, TYPE II, 11 INCH	SQ YD	24	24
50105220	PIPE CULVERT REMOVAL	FOOT	143	143
542A0235	PIPE CULVERTS, CLASS A, TYPE 1 30"	FOOT	86	86
542A1069	PIPE CULVERTS, CLASS A, TYPE 2 24"	FOOT	54	54
54213669	PRECAST REINFORCED CONCRETE FLARED END SECTIONS 24"	EACH	2	2
54213675	PRECAST REINFORCED CONCRETE FLARED END SECTIONS 30"	EACH	4	4
67100100	MOBILIZATION	L SUM	1	1
70100450	TRAFFIC CONTROL AND PROTECTION, STANDARD 701201	L SUM	1	1

* FAS 1613 & OR 1643

FILE NAME =	USER NAME = sharptd	DESIGNED -	REVISED -	STATE OF ILLINOIS DEPARTMENT OF TRANSPORTATION	SUMMARY OF QUANTITIES				F.A.S. RTE.	SECTION	COUNTY	TOTAL SHEETS	SHEET NO.
S:\CONTRMINT.CAD\72K25 - FAS 1613 & OR	1643 IDLD US 5436 & OLD US 661 - Replace C	DRAWN BY - Sangam Co\PLANS\72K25-shar	REVISIONS -		* 06 (CR) SANGAMON CO 2018	SANGAMON	7	3					
Default	PLOT SCALE = 48.0000' / in.	CHECKED -	REVISED -		CONTRACT NO. 72K25				ILLINOIS FED. AID PROJECT				
	PLOT DATE = 3/29/2018	DATE -	REVISED -	SCALE: _____	SHEET _____ OF _____ SHEETS	STA. _____ TO STA. _____							

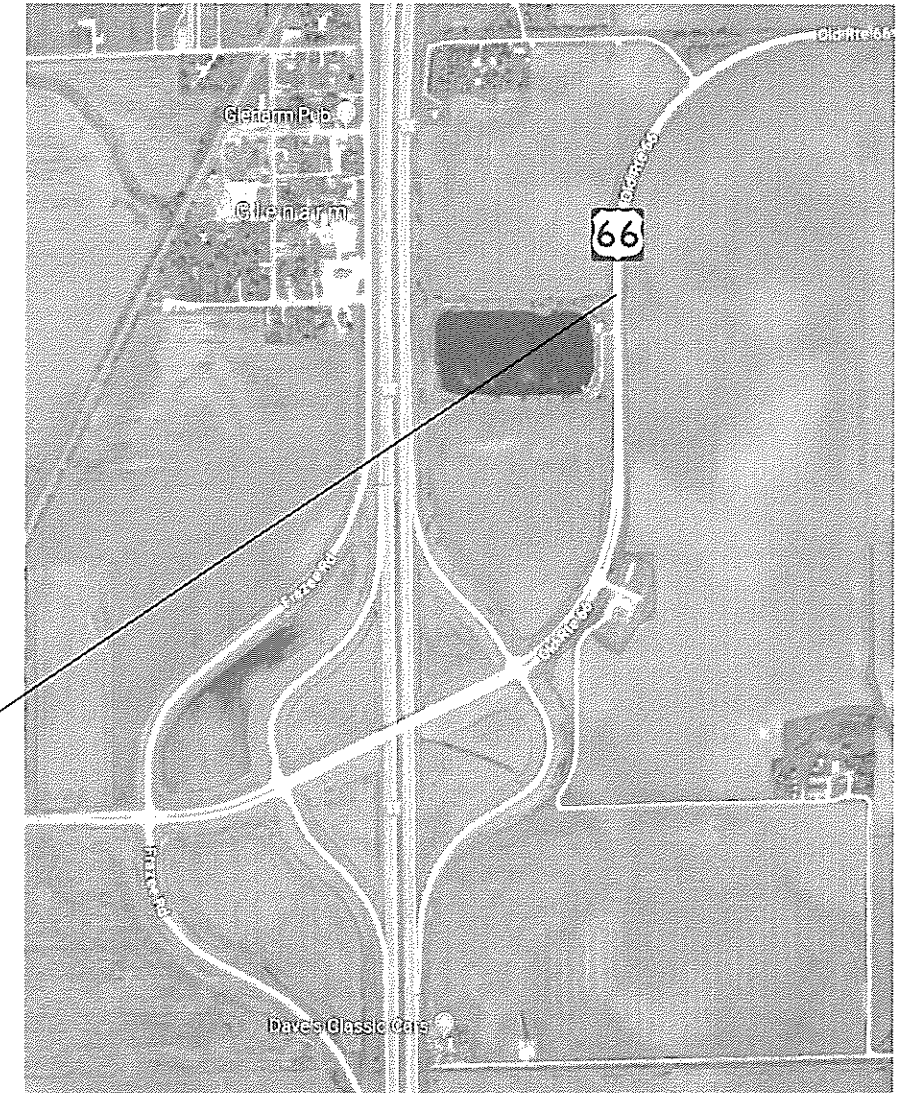
PATCHING SCHEDULE						
LOCATION	STATION	ROAD		AREA	CLASS C, TY II, 8"	CLASS C, TY II, 11"
		LENGTH (FT)	WIDTH (FT)	SQ YD	SQ YD	SQ YD
OLD US 54/36	259+00	5.00	14.00	7.78	7.78	
	259+00	5.00	14.00	7.78	7.78	
	283+00	5.00	14.00	7.78	7.78	
	283+00	5.00	14.00	7.78	7.78	
OLD US 66	128+64	6.00	18.00	12.00		12.00
	128+64	6.00	18.00	12.00		12.00
TOTAL:					32.00	24.00



PROJECT BEGINS
 STA. 259+00
 PIPE CULVERT 30",
 CLASS A, TY. 1, 43' L.F.
 PRCFES 30"
 NOTE: FIT TO FIELD CONDITIONS

STA. 283+00
 PIPE CULVERT 30",
 CLASS A, TY. 1, 43' L.F.
 PRCFES 30"
 NOTE: FIT TO FIELD CONDITIONS

PROJECT ENDS
 STA. 128+64
 PIPE CULVERT 24",
 CLASS A, TY. 2, 54' L.F.
 PRCFES 24"
 NOTE: FIT TO FIELD CONDITIONS



FILE NAME =	USER NAME = sharptd	DESIGNED -	REVISED -
1643 IDLD US 5435 & OLD US 66) - Replace	DRAWN - Sangamon Co\PLANS\72K25-sh	CHECKED -	REVISED -
Default	PLOT DATE = 3/27/2018	DATE -	REVISED -

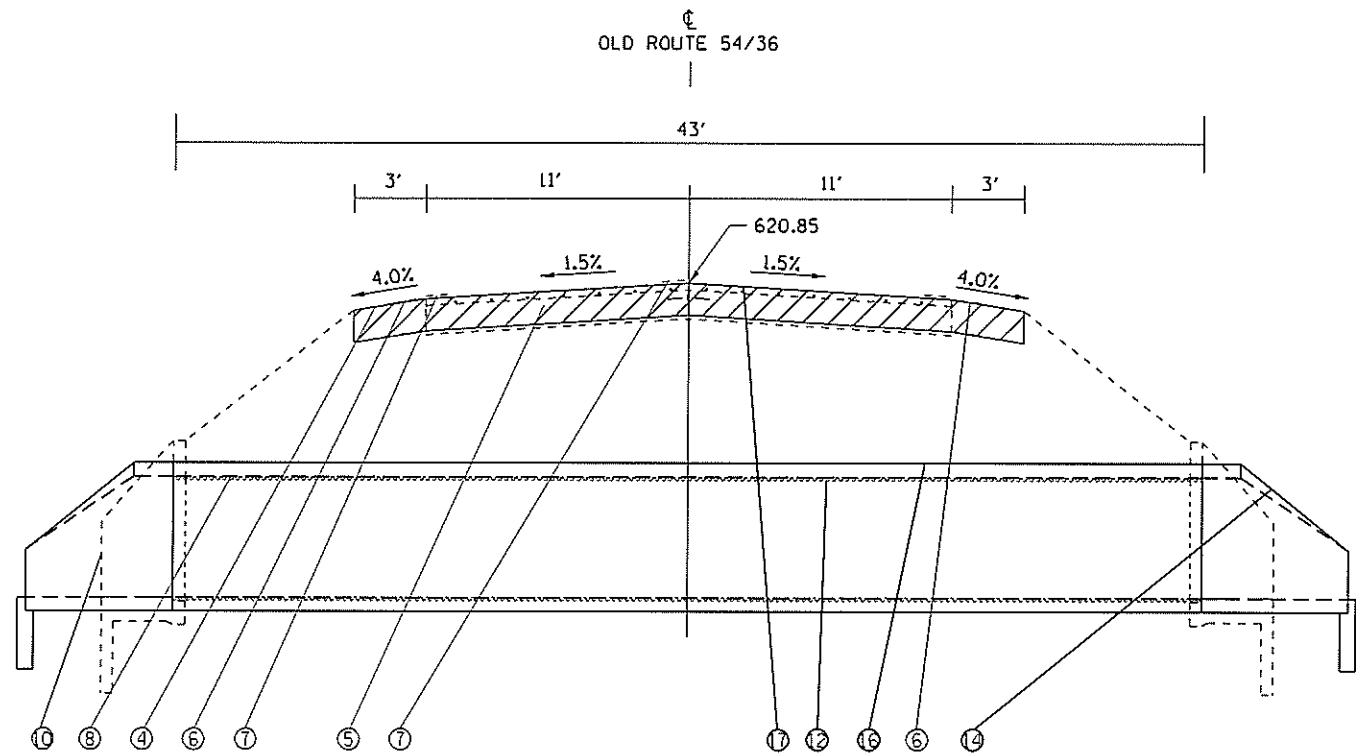
**STATE OF ILLINOIS
 DEPARTMENT OF TRANSPORTATION**

LOCATION MAP

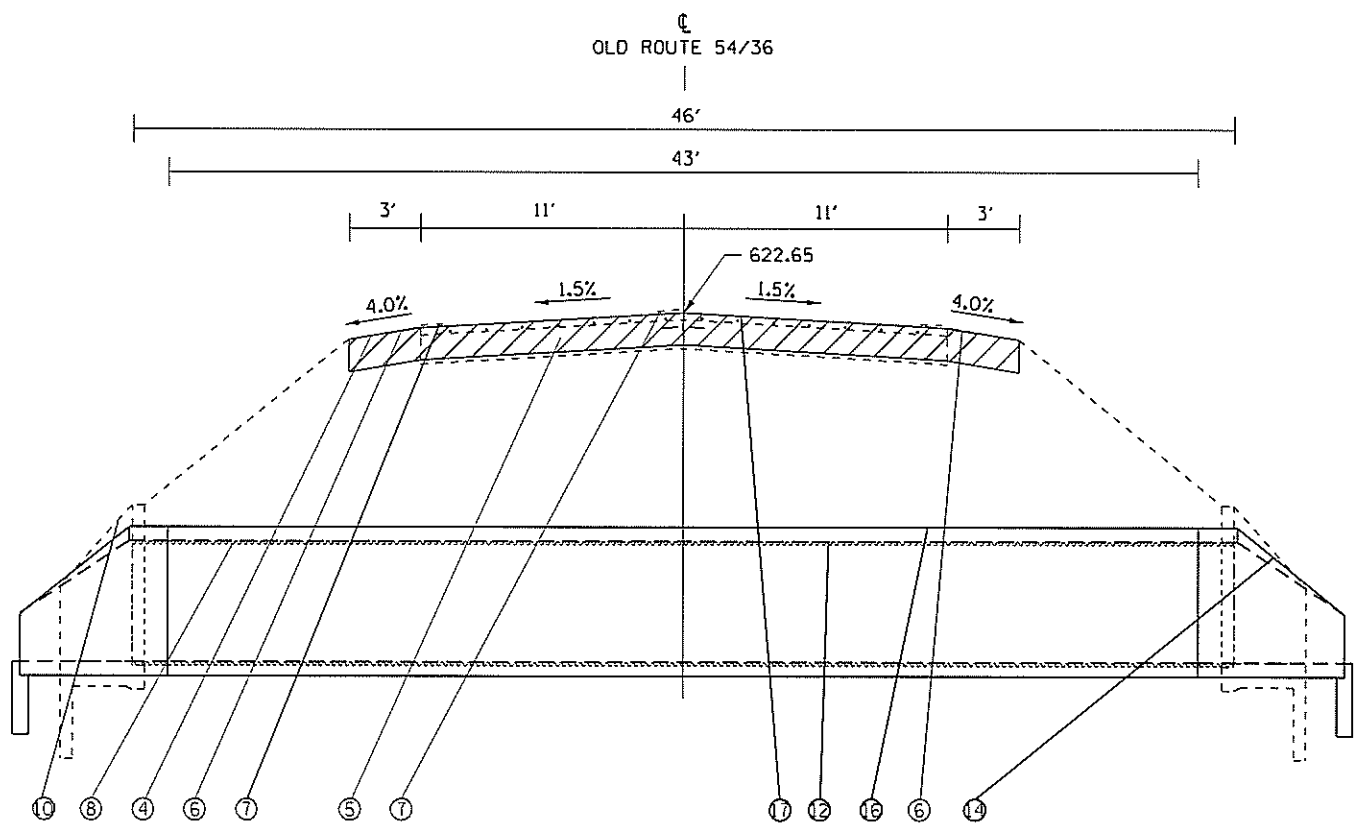
SCALE: _____ SHEET _____ OF _____ SHEETS STA. _____ TO STA. _____

F.A.S. RTE.	SECTION	COUNTY	TOTAL SHEETS	SHEET NO.
• 06 (CR) SANGAMON CO 2018		SANGAMON	7	5
CONTRACT NO. 72K25			[ILLINOIS] FED. AID PROJECT	

*FAS 1613 & DR 1643



TYPICAL SECTION #1
STA. 259+00



TYPICAL SECTION #2
STA. 283+00

LEGEND

- ① EXIST. STAB. BASE COURSE, 8"
- ② EXIST. BITUMINOUS CONC. BINDER COURSE, 1-3/4"
- ③ EXIST. BITUMINOUS CONC. SURFACE COURSE, CLASS I, 1-1/4"
- ④ EXIST. HMA SHOULDERS, 8"
- ⑤ EXIST. PCC PAVEMENT, 9"
- ⑥ EXIST. RUMBLE STRIP
- ⑦ EXIST. PAVEMENT MARKING-LINE, 5"
- ⑧ EXIST. PIPE CULVERTS, TY. 1 (RCCP), 30"
- ⑨ EXIST. PIPE CULVERTS, TY. 2 (RCCP), 24"
- ⑩ EXIST. CONC. HEADWALLS FOR PIPE DRAINS
- ⑪ EXIST. PRECAST REINFORCED CONCRETE FLARED END SECTIONS, 24"
- ⑫ PROP. PIPE CULVERT REMOVAL
- ⑬ PROP. PRECAST REINFORCED CONCRETE FLARED END SECTIONS, 24" (FIT TO FIELD CONDITIONS)
- ⑭ PROP. PRECAST REINFORCED CONCRETE FLARED END SECTIONS, 30" (FIT TO FIELD CONDITIONS)
- ⑮ PROP. PIPE CULVERTS, CLASS A, TY. 2, 24" (FIT TO FIELD CONDITIONS)
- ⑯ PROP. PIPE CULVERTS, CLASS A, TY. 1, 30" (FIT TO FIELD CONDITIONS)
- ⑰ PROP. CLASS C PATCHES, TYPE II

NOTES:

1. THE ROAD LANE SHALL BE KEPT OPEN TO TRAFFIC ACCORDING TO ARTICLE 701.17(e). NO BROKEN PAVEMENT, OPEN HOLES, OR PARTIALLY FILLED PATCHES SHALL REMAIN OVERNIGHT AND ALL DEVICES SHALL BE REMOVED BEFORE DARK. USE TEMPORARY PATCHES OF 6 INCHES OF COLD BITUMINOUS MIX TO MATCH THE EXISTING SURFACE AS NEEDED. THIS WORK WILL BE CONSIDERED AS INCIDENTAL.
2. ALL THE NEW PIPE CULVERTS SHALL BE INSTALLED SATISFYING THE FIELD CONDITIONS.

MODEL ENHANCE
 FILE NAME: S:\CONTRACTS\64072N25 - FAS 1613 & DR 1643 (OLD US 5136 & OLD US 51) - Replace CMA Culverts - Submission\CD\PLANS\725-01-6 hydraulic.dwg

USER NAME = sharpjd	DESIGNED -	REVISED -
DRAWN -	REVISED -	
CHECKED -	REVISED -	
DATE -	REVISED -	

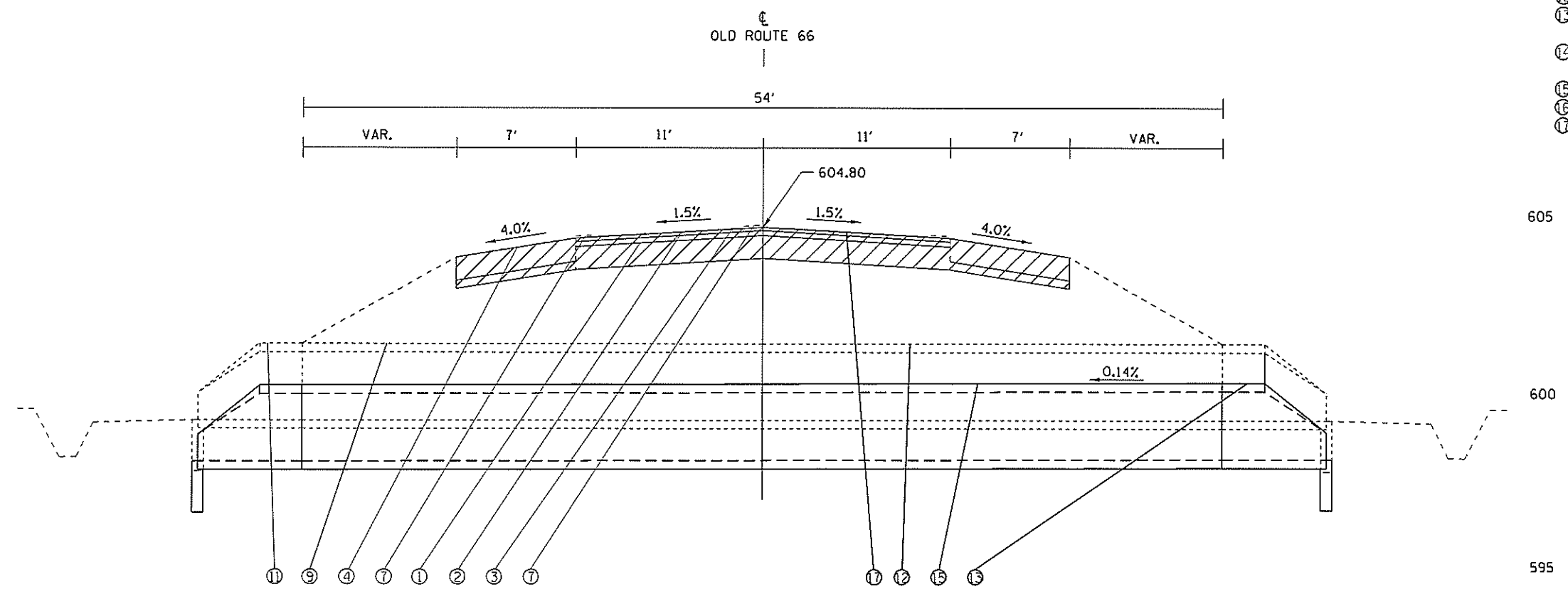
STATE OF ILLINOIS
DEPARTMENT OF TRANSPORTATION

TYPICAL SECTIONS			
SCALE	SHEET	OF	SHEETS
STA	TO STA		

F.A.S. RTE.	SECTION	COUNTY	TOTAL SHEETS	SHEET NO.
D6 (CR)	SANGAMON CO 2018	SANGAMON	7	6
ILLINOIS FED. AID PROJECT			CONTRACT NO. 72K25	

*FAS 1613 & DR 1643

- LEGEND
- ① EXIST. STAB. BASE COURSE, 8"
 - ② EXIST. BITUMINOUS CONC. BINDER COURSE, 1-3/4"
 - ③ EXIST. BITUMINOUS CONC. SURFACE COURSE, CLASS I, 1-1/4"
 - ④ EXIST. HMA SHOULDERS, 8"
 - ⑤ EXIST. PCC PAVEMENT, 9"
 - ⑥ EXIST. RUMBLE STRIP
 - ⑦ EXIST. PAVEMENT MARKING-LINE, 5"
 - ⑧ EXIST. PIPE CULVERTS, TY. 1 (RCCP), 30"
 - ⑨ EXIST. PIPE CULVERTS, TY. 2 (RCCP), 24"
 - ⑩ EXIST. CONC. HEADWALLS FOR PIPE DRAINS
 - ⑪ EXIST. PRECAST REINFORCED CONCRETE FLARED END SECTIONS, 24"
 - ⑫ PROP. PIPE CULVERT REMOVAL
 - ⑬ PROP. PRECAST REINFORCED CONCRETE FLARED END SECTIONS, 24" (FIT TO FIELD CONDITIONS)
 - ⑭ PROP. PRECAST REINFORCED CONCRETE FLARED END SECTIONS, 30" (FIT TO FIELD CONDITIONS)
 - ⑮ PROP. PIPE CULVERTS, CLASS A, TY. 2, 24" (FIT TO FIELD CONDITIONS)
 - ⑯ PROP. PIPE CULVERTS, CLASS A, TY. 1, 30" (FIT TO FIELD CONDITIONS)
 - ⑰ PROP. CLASS C PATCHES, TYPE II



TYPICAL SECTION #3
 STA. 128+64
 FIELD RECOMMENDATION:
 THIS NEW PIPE CULVERT SHALL BE INSTALLED
 LOWERING IT 1.15' FROM THE EXISTING ELEVATION.

- NOTES:
1. THE ROAD LANE SHALL BE KEPT OPEN TO TRAFFIC ACCORDING TO ARTICLE 701.17(e). NO BROKEN PAVEMENT, OPEN HOLES, OR PARTIALLY FILLED PATCHES SHALL REMAIN OVERNIGHT AND ALL DEVICES SHALL BE REMOVED BEFORE DARK. USE TEMPORARY PATCHES OF 6 INCHES OF COLD BITUMINOUS MIX TO MATCH THE EXISTING SURFACE AS NEEDED. THIS WORK WILL BE CONSIDERED AS INCIDENTAL.
 2. ALL THE NEW PIPE CULVERTS SHALL BE INSTALLED SATISFYING THE FIELD CONDITIONS.

MODEL: Default
 FILE NAME: S:\COURT\BUILT_CAD\22-25 - FAS 1613 & OR 1643 (OLD US 5136 & OLD US 56) - Replace CPM Culverts - Sangamon Cap\PLANS\22-25_S16 & Typical.dwg

USER NAME = sharpjd	DESIGNED -	REVISED -
	DRAWN -	REVISED -
PLOT SCALE = 40.0000' / in.	CHECKED -	REVISED -
PLOT DATE = 3/27/2018	DATE -	REVISED -

STATE OF ILLINOIS
 DEPARTMENT OF TRANSPORTATION

TYPICAL SECTIONS		SCALE	SHEET	OF	SHEETS	STA	TO	STA.

F.A.S. RTE.	SECTION	COUNTY	TOTAL SHEETS	SHEET NO.
D6 (CR)	SANGAMON CO 2018	SANGAMON	7	7
CONTRACT NO. 72K25			ILLINOIS FED. AID PROJECT	

*FAS 1613 & OR 1643