

INDEX OF SHEETS

- SHEET 1. COVER SHEET
- SHEET 2. TYPICAL CROSS SECTION, SUMMARY OF QUANTITIES, STRUCTURAL DESIGN, BITUMINOUS MIXTURE TABLE
- SHEET 3. TYPICAL ENTRANCE DETAIL, MAILBOX DETAILS, SIDE ROAD RETURN, GENERAL NOTES

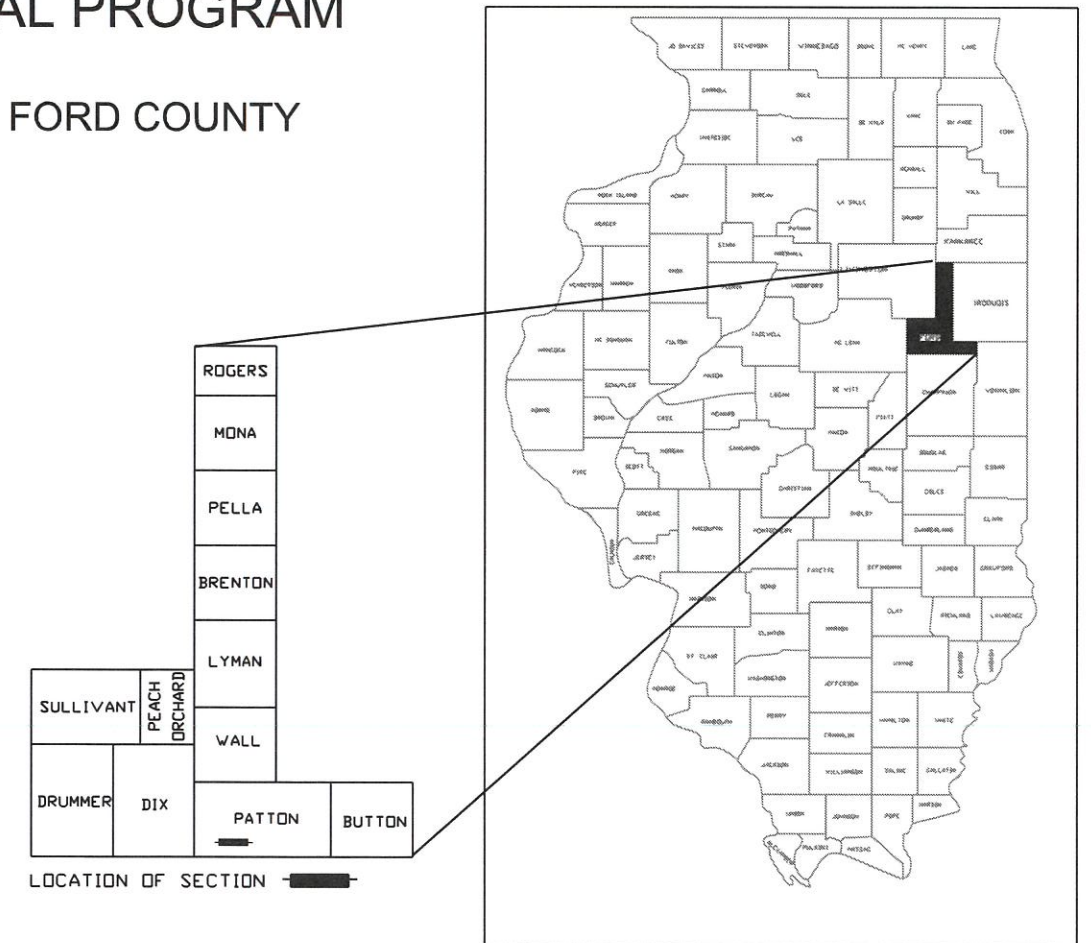
STANDARDS

- 000001-06 STANDARD SYMBOLS, ABBREVIATIONS AND PATTERNS
- 701301-04 LANE CLOSURE 2 LANE, 2 WAY, SHORT TIME OPERATIONS
- 701306-04 LANE CLOSURE 2 LANE, 2 WAY, SLOW MOVING OPERATIONS - DAY ONLY FOR SPEEDS > 45 MPH
- 701311-03 LANE CLOSURE 2 LANE, 2 WAY, MOVING OPERATIONS - DAY ONLY
- 701901-07 TRAFFIC CONTROL DEVICES
- 780001-05 TYPICAL PAVEMENT MARKINGS

STATE OF ILLINOIS
DEPARTMENT OF TRANSPORTATION
DIVISION OF HIGHWAYS
**PLANS FOR PROPOSED RESURFACING
SURFACE TRANSPORTATION RURAL PROGRAM**

C.H. 5 (LEHIGH ROAD)
F.A.S. ROUTE 1346 SECTION 17-00130-00-RS FORD COUNTY
PROJECT U63S(611)
JOB NO. C-93-047-16

FAS NO.	SECTION	COUNTY	TOTAL SHEETS	SHEET NO.
1346	17-00130-00-RS		3	1
PROJECT U63S(611) CONTRACT # 87646				



UTILITIES

UTILITIES ON THIS SECTION AT VARIOUS LOCATIONS INCLUDES TO THE BEST OF OUR KNOWLEDGE:

FRONTIER TELEPHONE COMPANY (UNDERGROUND)
OVERHEAD POWER - EASTERN ILLINI

CONTRACTORS OR SUBCONTRACTORS SHALL CONTACT J.U.L.I.E. (1-800-892-0123) AT LEAST 72 HOURS PRIOR TO ANY EXCAVATION FOR UTILITIES LOCATION

JOB NO. C-93-047-16
CONTRACT NO. 87646

NOT TO SCALE

GROSS LENGTH = 32,900' = 6.231 MI.
NET LENGTH = 32,585' = 6.171 MI.
PREVIOUS CONSTRUCTION BY SECTION NUMBERS
8G-1, 8Q-1, 86-00054-00-RS AND 95-00084-00-RS

FUNCTIONAL CLASSIFICATION: MAJOR COLLECTOR

ILLINOIS PROFESSIONAL NO. 062-035801
EXPIRES 11-30-2019



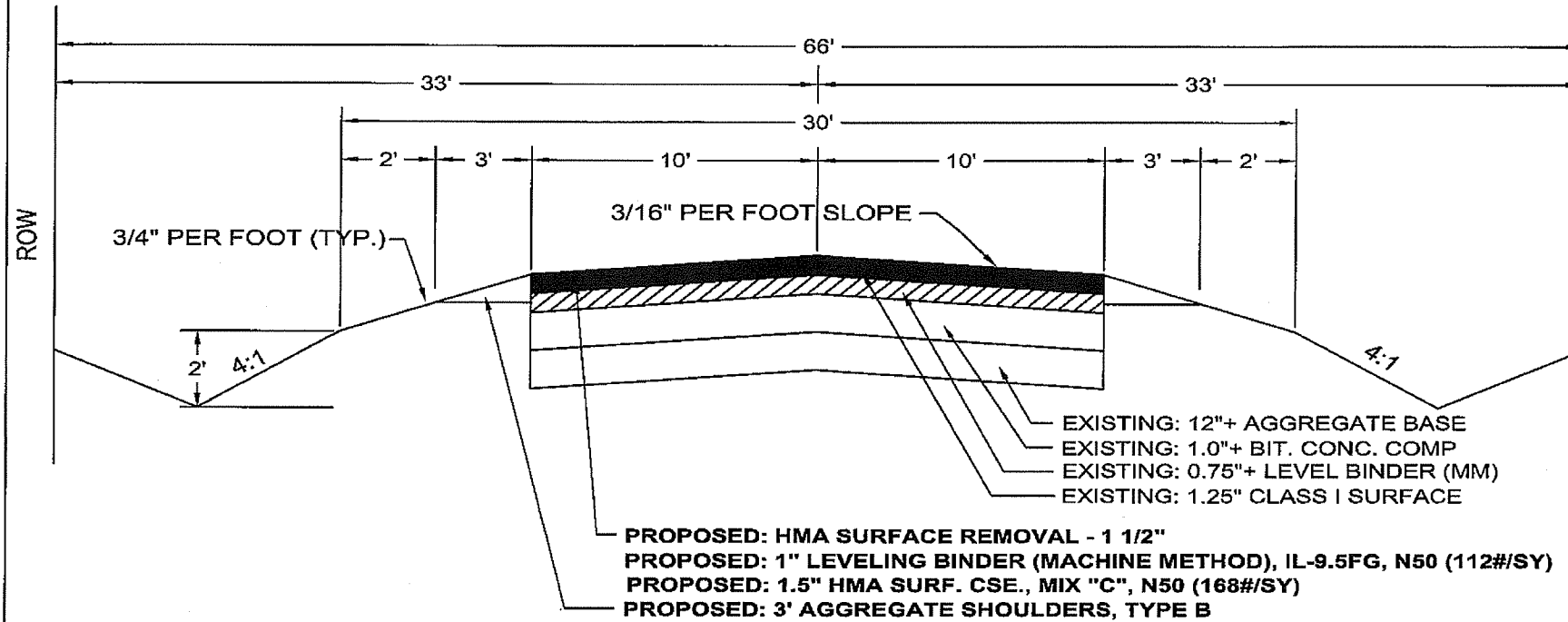
CURRENT (2018) ADT = 175 - 88% PC
9% SU
3% MU
DESIGN ADT (2028) = 200
DESIGN SPEED = 50 MPH

THE ACCEPTANCE OF THIS PROJECT IS BASED ON THE MINIMUM DESIGN CRITERIA UNDER 3R GUIDELINES.

APPROVED	<u>MARCH 26, 2018</u> FORD COUNTY, COUNTY ENGINEER
PASSED	<u>3/29/18</u> DISTRICT 3 ENGINEER OF LOCAL ROADS & STREETS
Releasing for Bid Based on Limited Review	<u>3/29/18</u> REGION 2 ENGINEER STATE OF ILLINOIS DEPARTMENT OF TRANSPORTATION

FAS NO.	SECTION	COUNTY	TOTAL SHEETS	SHEET NO.
1346	17-00130-00-RS		3	2
PROJECT U63S(611)				
CONTRACT # 87646				

TYPICAL CROSS SECTION
SECTION 17-00130-00-RS (LEHIGH ROAD)
STATION 0+00 TO 329+00 *



* OMIT PAVING FROM STA. 275+93 to STA. 276+80 (STR. #027-3424) and STA. 307+39 to STA. 309+70 (STR. # 027-0028) *

STRUCTURAL DESIGN
STA. 0+00 TO STA. 329+00
SEC. 17-00130-00-RS

STRUCTURAL DESIGN TRAFFIC YEAR	2028
CURRENT A.D.T.	175
A.D.T. 2028	200
P.V.	176
S.U.	18
M.U.	6
CLASS	IV
MINIMUM SOIL SUPPORT IBV	3
TRAFFIC FACTOR	0.007
Dt REQUIRED	1.95

EXISTING BASE:	
12"+ AGGREGATE BASE	12" X 0.06 = 0.720
1" BIT CONC MIXTURE COMPLETE	1.0" X 0.23 = 0.230
0.75" BIT. CONC LEVEL BINDER	0.75" X 0.30 = 0.225
1.25" BIT. CONC CL I (POST 1955)	1.25" X 0.30 = 0.375
SUBTOTAL EXISTING	1.550
PROPOSED:	
COLD MILL 1.50" EXISTING SURFACE	1.50" X -0.30 = -0.450
1" LEVEL BINDER (MM), IL 9.5 FG, N50	1.00" X 0.40 = 0.400
1.5" HMA SURF. CSE., MIX "C", N50	1.50" X 0.40 = 0.600
Dt TOTAL	2.100

SUMMARY OF QUANTITIES

CONSTRUCTION TYPE CODE 0004

CODE NO.	ITEM	UNIT	QUANTITY
40600290	BITUMINOUS MATERIALS (TACK COAT)	POUND	50,380
40600990	TEMPORARY RAMP	SQ YD	100
* 40600627	LEVELING BINDER (MACHINE METHOD), IL-9.5FG, N50	TON	4,110
40603310	HOT- MIX ASPHALT SURFACE COURSE, MIX "C", N50	TON	6,165
40800050	INCIDENTAL HOT-MIX ASPHALT SURFACING	TON	150
44000155	HOT-MIX ASPHALT SURFACE REMOVAL, 1-1/2"	SQ YD	74,640
* 48101200	AGGREGATE SHOULDERS, TYPE B	TON	2,475
67100100	MOBILIZATION	L SUM	1
70100460	TRAFFIC CONTROL AND PROTECTION, STANDARD 701306	L SUM	1
70300100	SHORT TERM PAVEMENT MARKING	FOOT	9,780
70300150	SHORT TERM PAVEMENT MARKING REMOVAL	SQ FT	1,075
# 78001110	PAINT PAVEMENT MARKING - LINE 4"	FOOT	16,240
* Z0048665	RAILROAD PROTECTIVE LIABILITY INSURANCE	L SUM	1

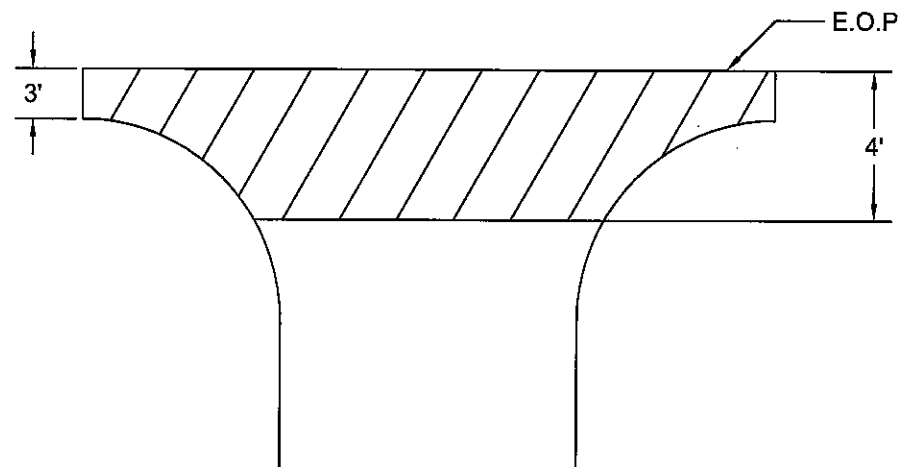
* INDICATES SEE SPECIAL PROVISIONS

INDICATES SPECIALTY ITEM

BITUMINOUS MIXTURE TABLE

LOCATION (S):	MAINLINE	MAINLINE	INTERSECTIONS
MIXTURE USE (S):	HMA LEVEL BINDER	HMA SURFACE	INCIDENTAL HMA
PG GRADE	PG 64-22	PG 64-22	PG 64-22
DESIGN AIR Voids	4.0 % @ N50	4.0 % @ N50	4.0 % @ N50
MIX COMPOSITION	IL 9.5 FG	IL 9.5	IL 9.5
FRICTION AGGREGATE	N/A	MIXTURE "C"	MIXTURE "C"
MIXTURE WEIGHT :	112.0 LB/SQ YD/INCH	112.0 LB/SQ YD/INCH	112.0 LB/SQ YD/INCH
QUALITY MANAGEMENT PROGRAM :	QC/QA	QC/QA	QC/QA
SUBLOT SIZE :	N/A	N/A	N/A
DENSITY TEST METHOD :	% of GROWTH CURVE	CORRELATION	SATISFACTION OF ENG.

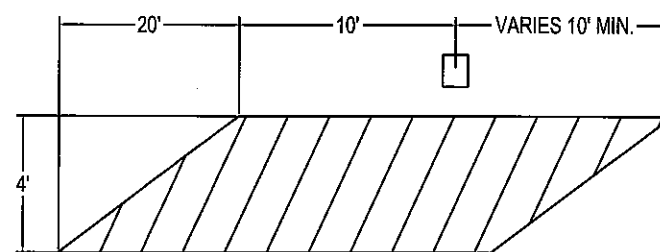
FAS NO.	SECTION	COUNTY	TOTAL SHEETS	SHEET NO.
1346	17-00130-00-RS		3	3
PROJECT U63S(611)				
CONTRACT # 87646				



TYPICAL FIELD & PRIVATE ENTRANCE

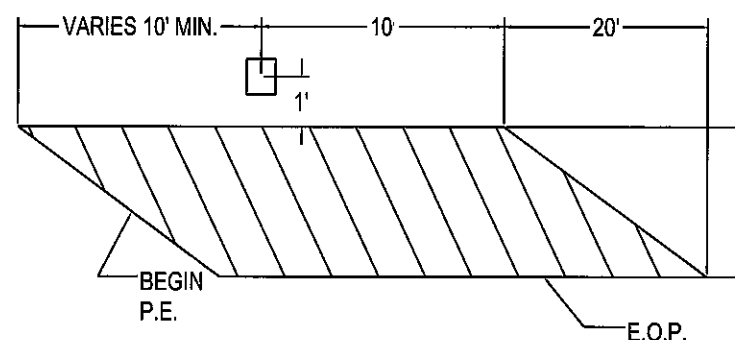
57 EACH

LT. STA.	RT. STA.
3+97	110+27 188+22 15+33 164+20 249+80
18+88	120+48 199+64 37+05 180+67 259+65
36+86	135+37 214+32 67+80 181+32 272+10
42+92	141+46 229+51 92+97 182+77 282+06
56+60	147+93 241+82 120+26 188+03 295+65
58+30	155+22 280+20 130+25 199+64 298+75
71+62	157+40 295+65 135+46 218+85 300+11
72+97	175+12 328+23 140+03 220+45 321+85
91+35	186+79 140+75 221+58 322+82
	154+85 241+82 326+00
	157+10



TYPICAL MAILBOX FOLLOWING

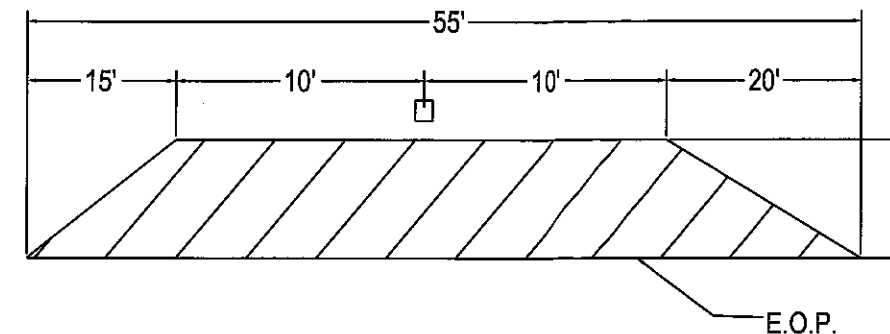
2 EACH
3+81 LT
72+71 LT



TYPICAL MAILBOX LEAD IN

3 EACH

110+48 LT 220+20 RT
295+93 LT



TYPICAL MAILBOX TURN OUT

7 EACH

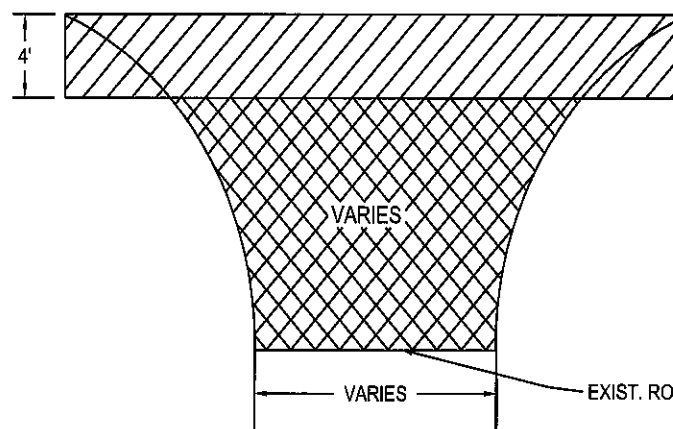
94+32 LT 164+20 LT 299+14 LT
130+41 LT 182+77 LT 322+80 LT
140+15 LT



AREA TO BE PAID AS
INCIDENTAL BITUMINOUS SURFACING



AREA TO BE CONSTRUCTED
DURING MAINLINE PAVING OPERATIONS
SLOPE = 3/4" PER FOOT



TYPICAL SIDE ROAD RETURN

11 EACH

STA. 54+85 LT & RT STA. 214+80 LT & RT
STA. 108+39 LT & RT STA. 268+72 LT & RT
STA. 161+59 LT & RT STA. 322+14 LT

NOTES

1. USE SAME MAINLINE MATERIAL FOR SIDE ROAD RETURNS, FIELD & PRIVATE ENTRANCES, AND MAILBOXES.
2. AGGREGATE SHOULDERS TO BE PLACED BEHIND SIDE ROAD RETURNS, FIELD & PRIVATE ENTRANCES, AND MAILBOXES AS DIRECTED BY THE ENGINEER.
3. SHORT TERM PAVEMENT MARKINGS TO BE REMOVED BY THE CONTRACTOR.
4. THE FOLLOWING APPLICATION RATES HAVE BEEN ASSUMED IN CALCULATING QUANTITIES:

AGGREGATE SHOULDERS	2.00 TON / CU YD
BIT MATL (PR CT)	0.05 LBS / SQ FT
HOT MIX ASPHALT	112 # / SQ YD / INCH
SHORT TERM PVMT MKING	4 FT / 40 FT OF APPL.