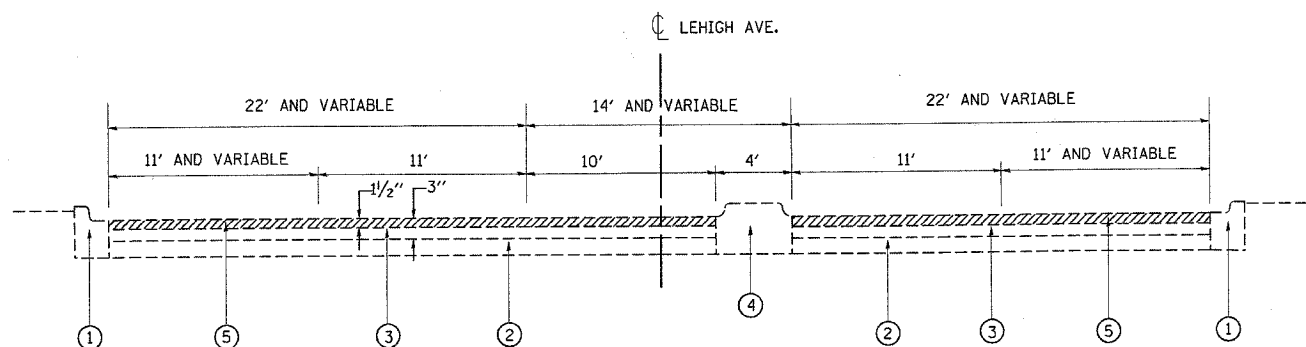
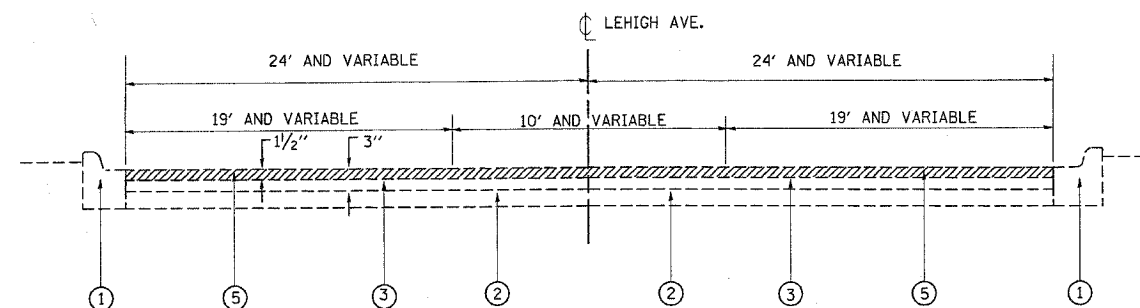


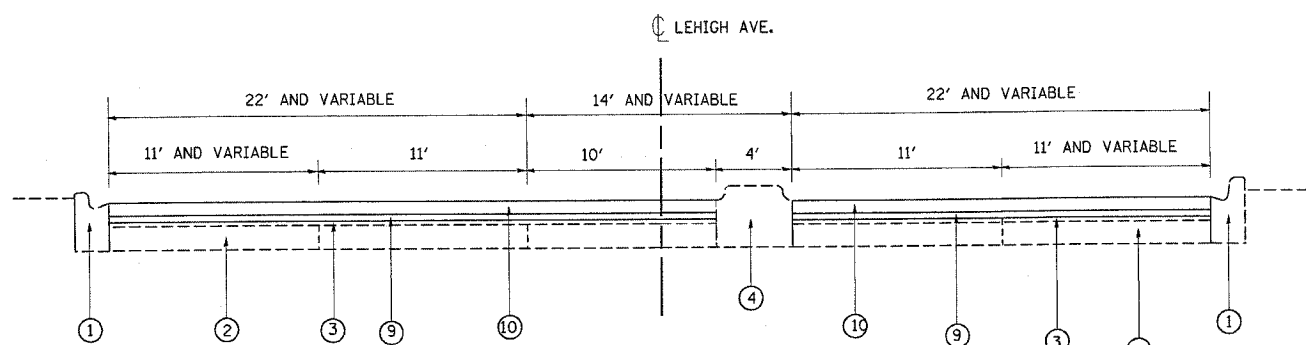
F.A.U. RTE.	SECTION	COUNTY	TOTAL SHEETS	SHEET NO.
*	2000-037RS	COOK	58	7
STA. 85+16		TO STA. 122+21.2		
FED. ROAD DIST. NO. 1		ILLINOIS	FED. AID PROJECT	
* 2786, 1334, 1332				



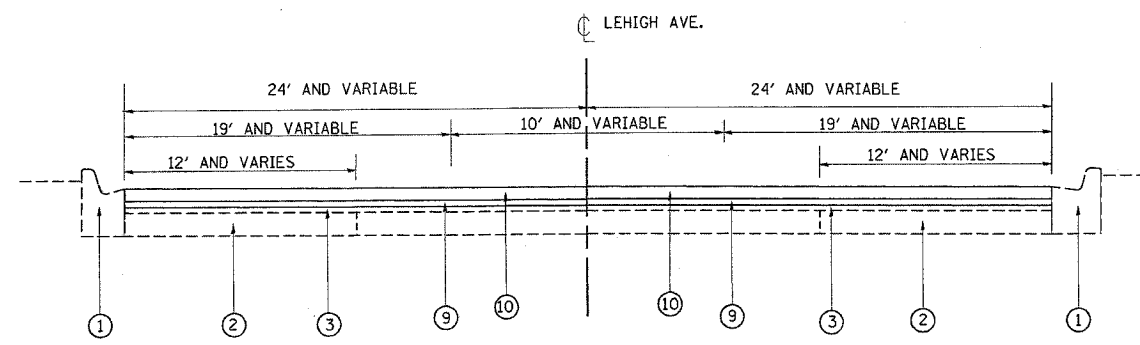
EXISTING TYPICAL SECTION  
STA 85+16 TO 103+59



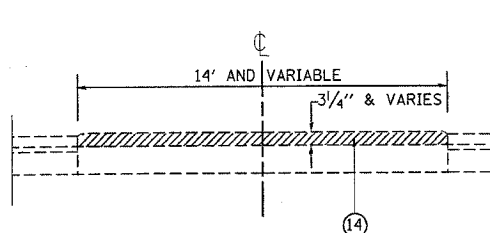
EXISTING TYPICAL SECTION  
STA 116+13 TO 122+21



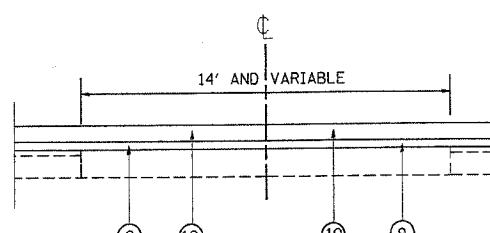
PROPOSED TYPICAL SECTION  
STA 85+16 TO 103+59



PROPOSED TYPICAL SECTION  
STA 116+13 TO 122+21



EXISTING TYPICAL SECTION  
STA 88+75 TO 91+66  
STA 96+55 TO 100+44  
MEDIAN ONLY



PROPOSED TYPICAL SECTION  
STA 88+75 TO 91+66  
STA 96+55 TO 100+44  
MEDIAN ONLY

**LEGEND**

- ① EXISTING COMB. CURB AND GUTTER TYPE B-6.12
- ② EXISTING PCC PAVEMENT (10" AND VARIES)
- ③ EXISTING BIT. AFTER MILLING SURFACE, 1/2"
- ④ EXISTING CONCRETE MEDIAN
- ⑤ PROP. BIT. SURFACE REMOVAL, 1/2"
- ⑥ PROP. PCC SURFACE REMOVAL (VAR. DEPTH), SEE DISTRICT DETAIL BD-33
- ⑦ PROP. PARTIAL DEPTH REMOVAL, 2"
- ⑧ PROP. POLYMERIZED LEVELING BINDER (MM), SUPERPAVE, IL-4.75, N50, 2"
- ⑨ PROP. POLYMERIZED LEVELING BINDER (MM), SUPERPAVE, IL-4.75, N50, 1"
- ⑩ PROP. BIT. CONC. SURFACE COURSE, SUPERPAVE, MIX "D", N70, 1/2"
- ⑪ PROP. BIT. TAPER AT EDGE OF P.C.C. PAVEMENT (SEE DISTRICT DETAIL BD-33)
- ⑫ EXISTING AGGREGATE SHOULDER
- ⑬ PROP. AGGREGATE SHOULDER, TYPE B
- ⑭ PROP. MEDIAN REMOVAL (PARTIAL DEPTH)
- ⑮ EXISTING GUTTER, TYPE B
- ⑯ PROP. BIT SHOULDERS, SUPERPAVE, 8"

REVISIONS	
NAME	DATE

ILLINOIS DEPARTMENT OF TRANSPORTATION

**LEHIGH AVE.  
(CENTRAL AVE. TO OAKTON AVE.)  
EXISTING AND PROPOSED  
TYPICAL SECTIONS**

SCALE: VERT.  
HORIZ.  
DATE 10/27/2005

DRAWN BY RN  
CHECKED BY