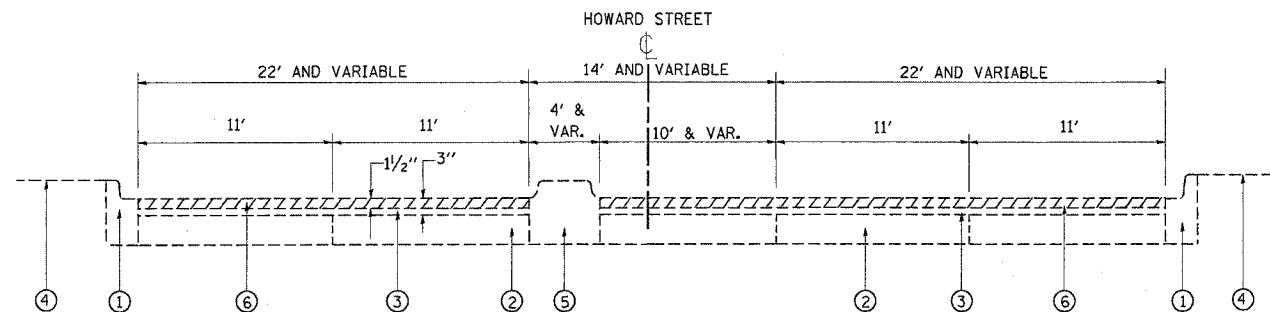


REF-
REF-
REF-

CONTRACT 60930

F.A.U. RTE.	SECTION	COUNTY	TOTAL SHEETS	SHEET NO.
* 2000-037RS		COOK	58	8
STA. 188+50		TO STA. 201+00		
FED. ROAD DIST. NO. 1		ILLINOIS FED. AID PROJECT		

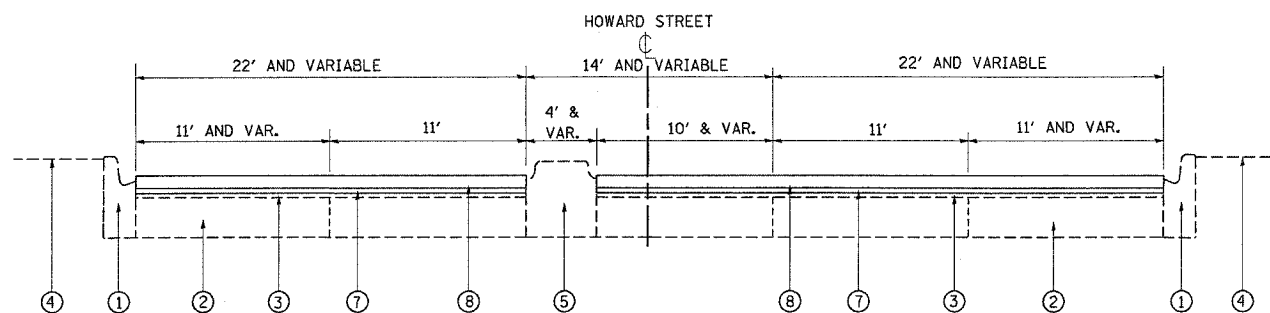
* 2786, 1334, 1332



EXISTING TYPICAL SECTION
HOWARD STREET
STA. 188+50 TO 201+00

LEGEND

- ① EXISTING COMB. CURB AND GUTTER TYPE B-6.12
- ② EXISTING PCC PAVEMENT (10" AND VARIES)
- ③ EXISTING BIT. AFTER MILLING SURFACE, 1 1/2"
- ④ EXISTING GROUND LINE
- ⑤ EXISTING CONCRETE MEDIAN
- ⑥ PROP. BIT. SURFACE REMOVAL, 1 1/2"
- ⑦ PROP. POLYMERIZED LEV. BINDER (MM), SUPERPAVE, IL-4.75, N50, 3/4"
- ⑧ PROP. BIT. CONC. SURFACE COURSE, SUPERPAVE, MIX "D", N70, 1 1/2"



PROPOSED TYPICAL SECTION
HOWARD STREET
STA. 188+50 TO 201+00

REVISIONS	
NAME	DATE

ILLINOIS DEPARTMENT OF TRANSPORTATION
LOCATION #2
HOWARD STREET
(LEHIGH AVE. TO GROSS POINT RD.)
EXISTING AND PROPOSED
TYPICAL SECTIONS

SCALE: VERT. NONE HORIZ. NONE
DATE 10/27/2005 DRAWN BY: RK
CHECKED BY: