

CONTRACT 60930

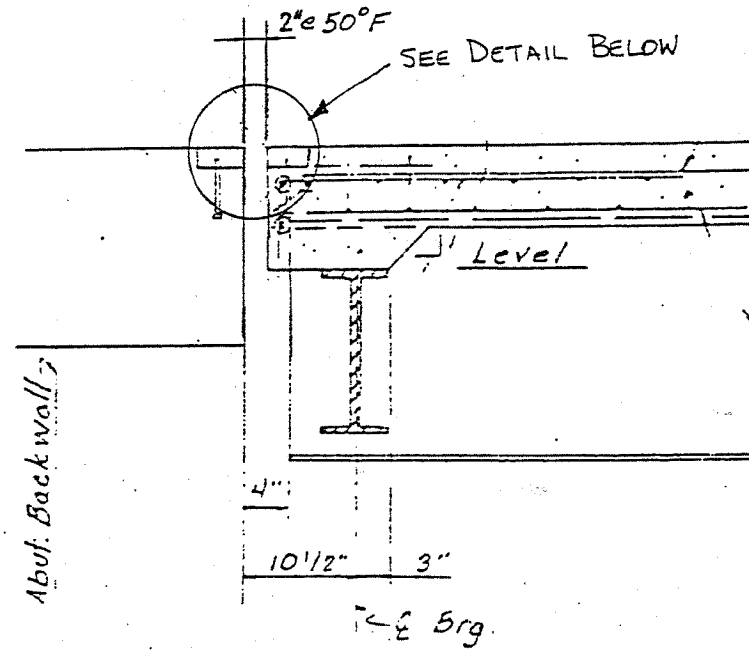
F.A.U. RTE.	SECTION	COUNTY	TOTAL SHEETS	SHEET NO.
*	2000-03785	COOK	58	41
STA. TO STA. 58 41				
FED. ROAD DIST. NO. 1 ILLINOIS FED. AID PROJECT				
* 2786, 1334, 1332.				

TOTAL SHEETS

SHEET NUMBER

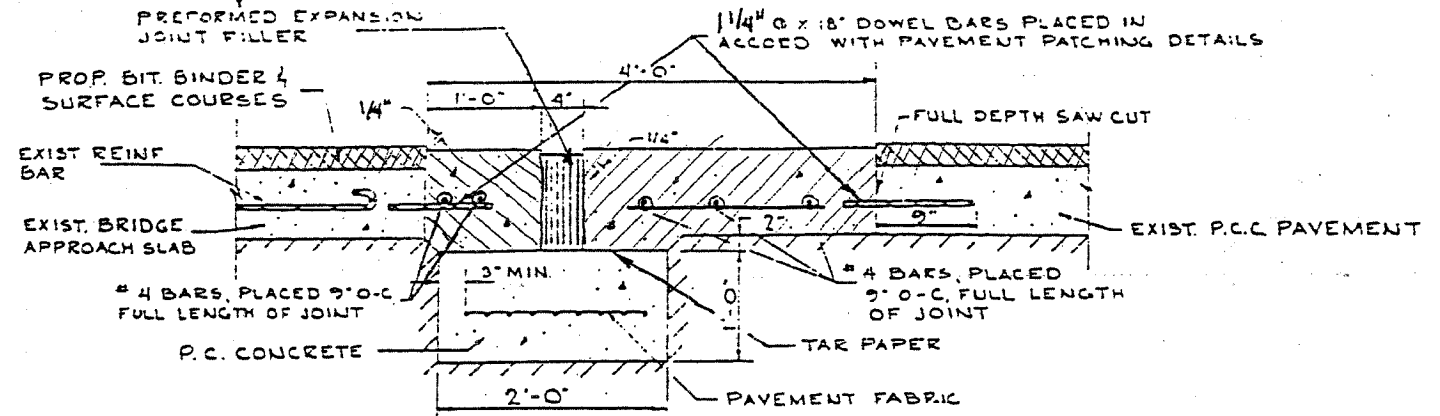
58

41

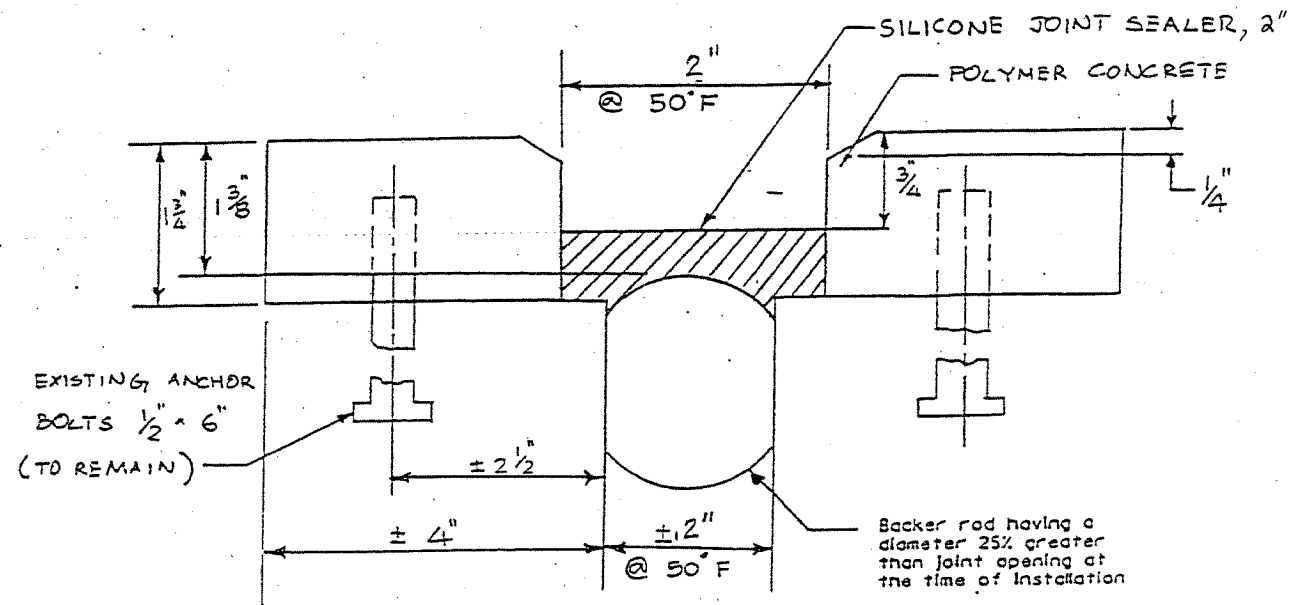


SECTION A-A

Cost Included with Pavement Relief Joint, Rem. and Replace.



B-B
PAVEMENT RELIEF JOINT REPAIR



AT EXISTING NEOPRENE JOINT LOCATION

BILL OF MATERIALS

ITEM	UNIT	QUANTITY
Bituminous Surface Removal (3")	SY. YD.	507
Pavement Relief Joint Remove and Replace	SQ. FT.	107
Poly. Bituminous Concrete Surface, Superpave Mix "F", N90 (1 3/4")	TON	50
Poly. Leveling Binder (Machine Method), Superpave, IL-4.75, N50 (1 1/4")	TON	35
SILICONE JOINT SEALER, 2"	L. FOOT	98
Polymer Concrete	CU. FT.	9.5

Removal of Existing Neoprene Blocks and Glands is included with Polymer Concrete.

Sheet 2 of 2

Oakton Street over N. Br. Chicago River
SN: 016-0555
Details