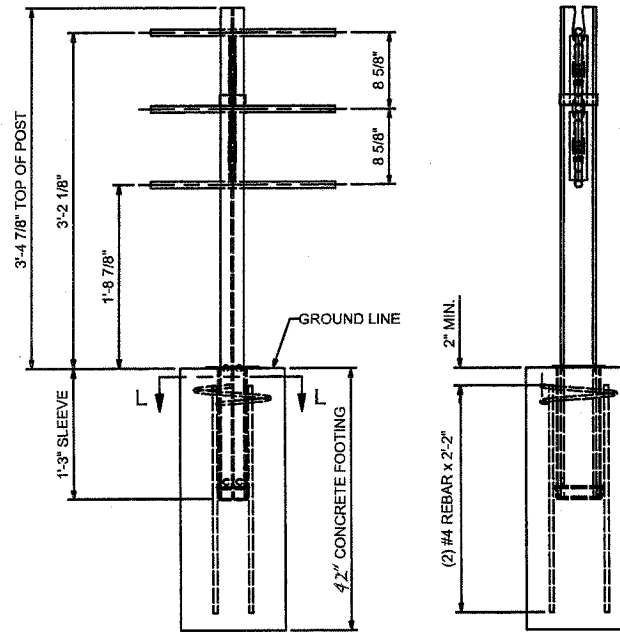
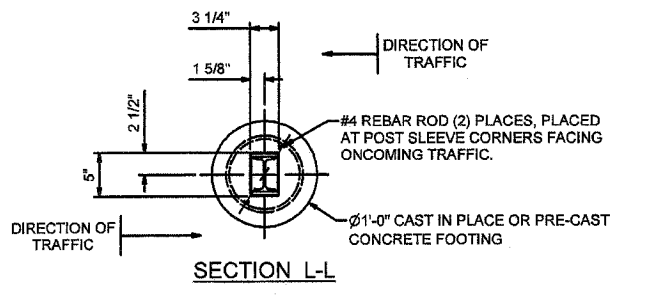
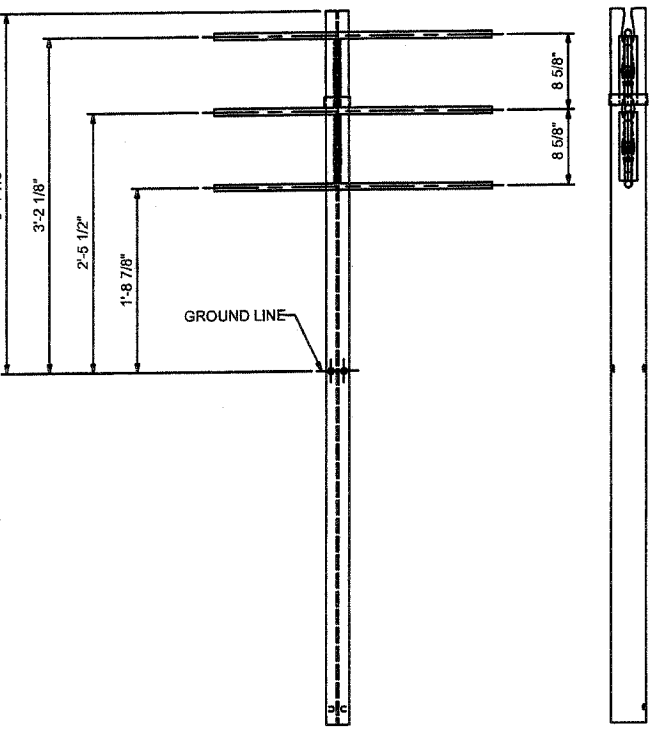
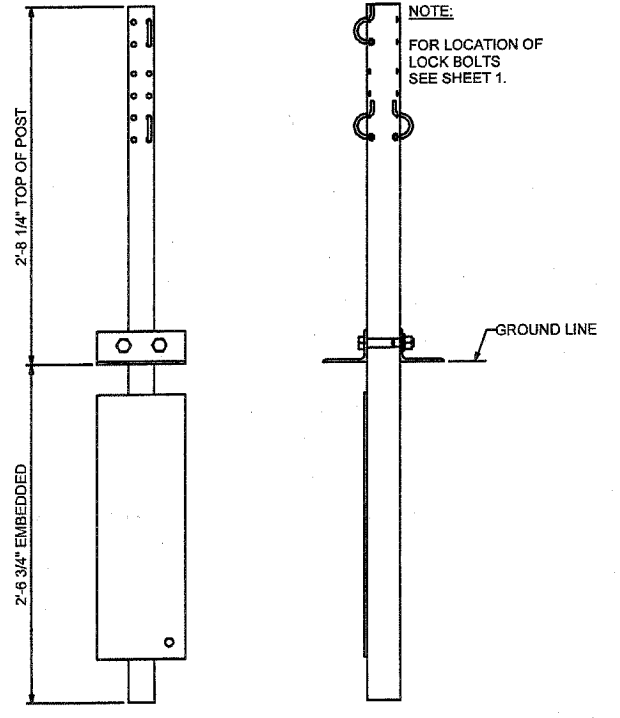
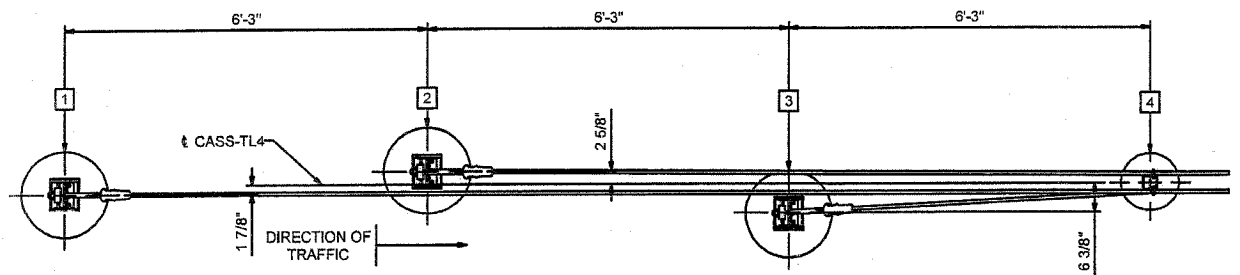
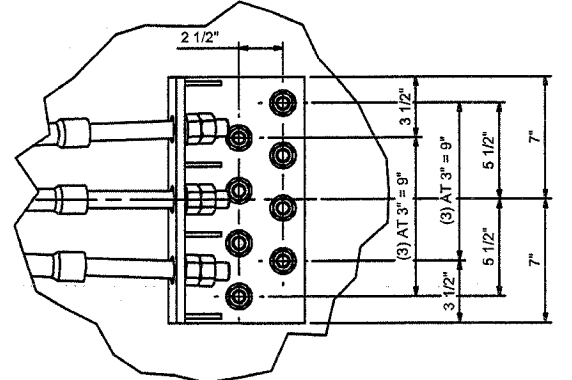
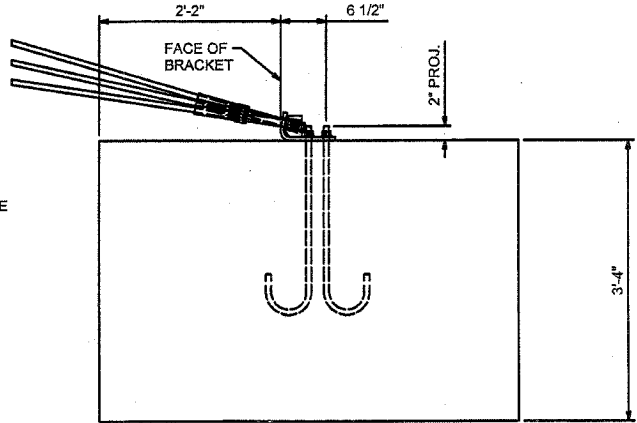
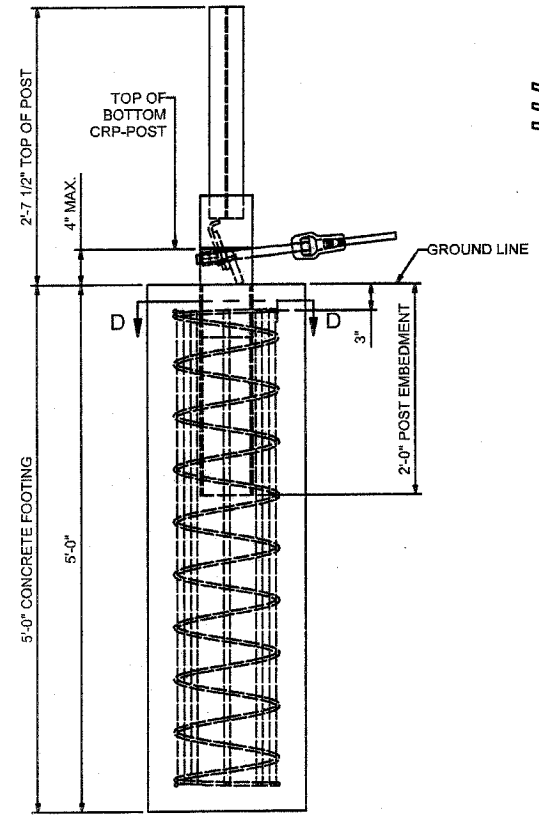
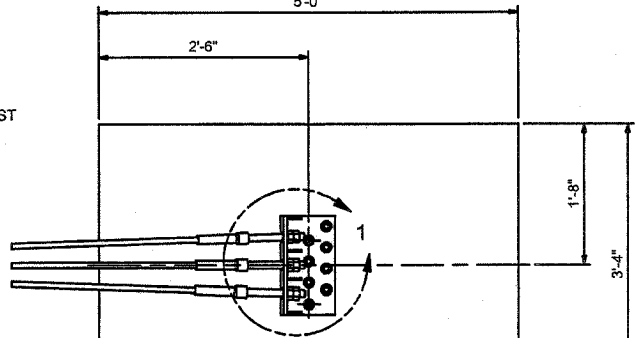
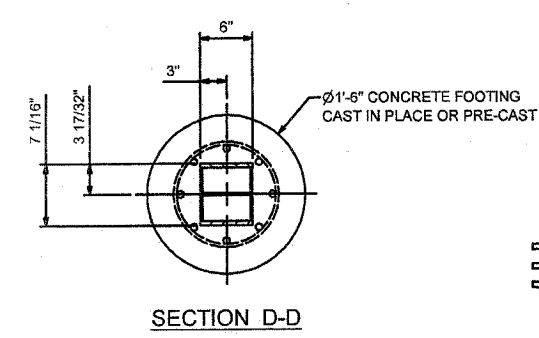


FBI	SECTION	COUNTY	TOTAL SHEETS
55	2005-040 GR	WILL.	18
STA	ILLINOIS	HEAD AD PROJECT	15
CONTRACT NO. 60A11			



CASS-TL4 CABLE GUARDRAIL SAFETY SYSTEM

TRINITY HIGHWAY SAFETY PRODUCTS, INC.

GALV SPEC:	
SHIPPING WT:	
DRW: E.A.S	12/2/2005
CHK:	
SHT: 2 OF 5	SIZE: D
DWG NO:	REV
SS-740	2

PROJ: CASS-TL4

3-29-06