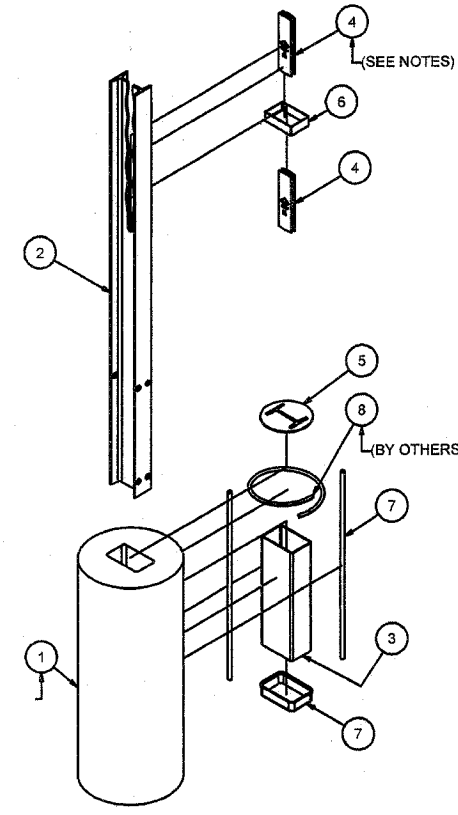


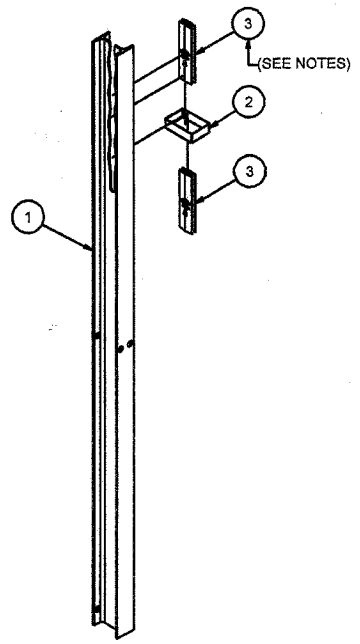
PARTS LIST CASS-TL4 CONCRETE POST ASSEMBLY				
QTY	PART No	ITEM	TITLE	Lbs / Each
1		1	CONCRETE POST - CASS POST	264.40
1	33954G	2	CASS-TL4 POST - CONCRETE	34.50
1	33968B	3	POST SLEEVE - CONCRETE POST	8.00
2	5703B	4	CASS-TL4 CABLE SPACER	0.24
1	5708B	5	SLEEVE COVER - CASS-TL POST	0.11
1	5707T	6	CASS-TL - POST STRAP	0.23
2	5901B	7	#4 REBAR - SYSTEM POST	1.45
1	5747B	7	SLEEVE CAP - CASS-TL POST	0.14
1	5836B	8	CONCRETE REINFORCING RING	0.88

PARTS LIST CASS-TL4 DRIVEN POST ASSEMBLY				
QTY	PART No	ITEM	TITLE	Lbs / Each
1	33957G	1	CASS-TL4 POST - DRIVEN	50.62
1	5707T	2	CASS-TL - POST STRAP	0.23
2	5703B	3	CASS-TL4 CABLE SPACER	0.24

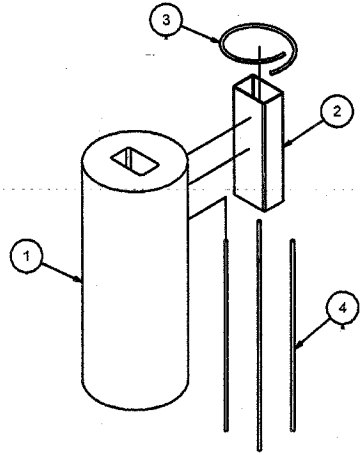
FAI	SECTION	COUNTY	TOTAL SHEETS	SHEET NO.
55	2005-040 GR	WILL	18	16
STA.		STA.	FED. AID PROJECT	
FED. ROAD DIST. NO.		ILLINOIS	CONTRACT NO. 60A11	



CASS-TL4 POST - IN CONCRETE  
(POST OPTION #3 - CAST IN PLACE)

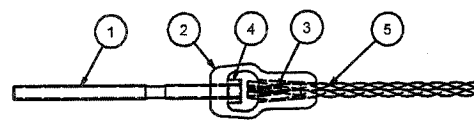


CASS-TL4 POST - DRIVEN  
(POST OPTION #4 - DRIVEN)



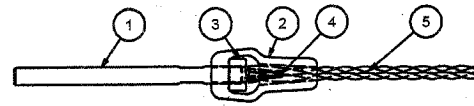
PRE-CAST CONCRETE POST ASSEMBLY  
(POST OPTION #3 - PRE-CAST OPTION)

PARTS LIST - PRE-CAST CONCRETE FOOTING				
QTY	PART No	ITEM	TITLE	Lbs / Each
1		1	CONCRETE POST - CASS POST	264.40
1	33968B	2	POST SLEEVE - CONCRETE POST	8.00
1	5836B	3	CONCRETE REINFORCING RING	0.88
4	5876B	4	#3 REBAR - CONCRETE FOOTING	0.82



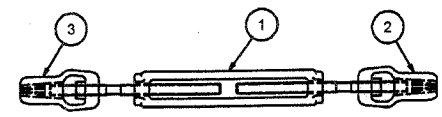
3/4" CABLE FIELD SPLICE - 5634G & 5635G  
(5634G SHOWN, 5635G SIMILAR)

PARTS LIST - 5634G				
QTY	PART No	ITEM	TITLE	Lbs / Each
1		1	3/4" STUD FLATTENED - L.H.T.	1.62
1	4190G	2	CABLE END CASTING	3.78
1	4199B	3	3/4" CABLE WEDGE (3 x 7)	0.08
1	4959G	4	3/4" HEAVY SQUARE NUT (A563)	0.26
1		5	3/4" CABLE (3 x 7)	1.06



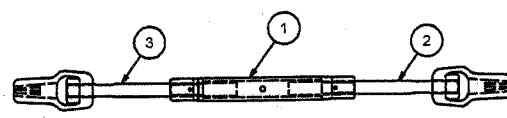
1" CABLE FIELD SPLICE - 5909G & 5910G  
(5909G SHOWN, 5910G SIMILAR)

PARTS LIST - 5910G				
QTY	PART No	ITEM	TITLE	Lbs / Each
1	3537G	1	1" STUD FLATTENED - L.H.T.	2.88
1	3022G	2	1" CABLE END CASTING	0.56
1	3908G	3	1" HEAVY HEX NUT (A563 DH)	0.47
1	4199B	4	3/4" CABLE WEDGE (3 x 7)	0.08
1		5	3/4" CABLE (3 x 7)	



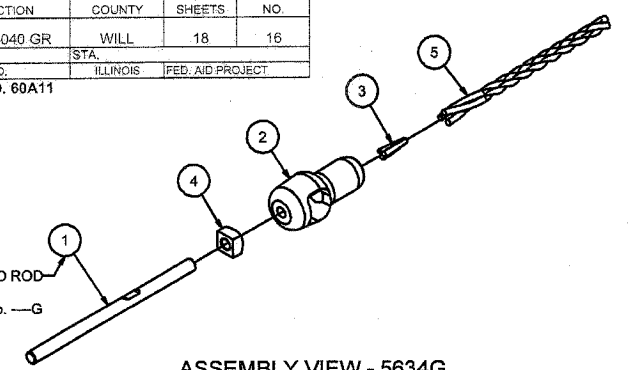
3/4" CABLE SPLICE - 5698G  
(OPEN BODY STYLE)

PARTS LIST - 5698G				
QTY	PART No	ITEM	TITLE	Lbs / Each
1	5711G	1	3/4" TURNBUCKLE OPEN BODY STYLE	10.69
1	5634G	2	3/4" STUD ASSEMBLY L.H.T.	5.74
1	5635G	3	3/4" STUD ASSEMBLY R.H.T.	5.74



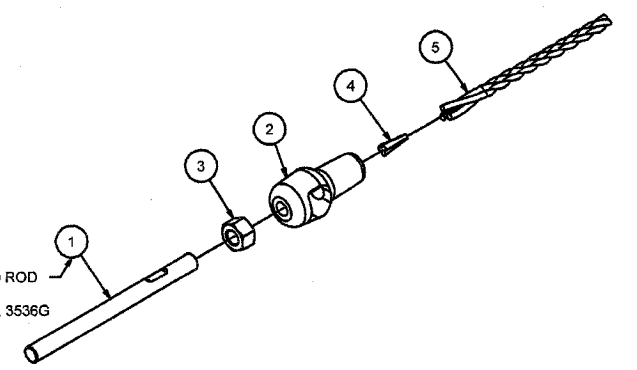
1" CABLE SPLICE - 5633G  
(CLOSED BODY STYLE)

PARTS LIST - 5633G				
QTY	PART No	ITEM	TITLE	Lbs / Each
1	5826G	1	1" CASS TURNBUCKLE CLOSED BODY STYLE	4.81
1	5909G	2	1" STUD ASSEMBLY L.H.T.	3.99
1	5910G	3	1" STUD ASSEMBLY R.H.T.	3.99



ASSEMBLY VIEW - 5634G  
(5634G SHOWN, 5635G SIMILAR)

LEFT HANDED THREADED ROD SHOWN, RIGHT HANDED THREADED ROD PART No. —G



ASSEMBLY VIEW - 5909G  
(5909G SHOWN, 5910G SIMILAR)

LEFT HANDED THREADED ROD SHOWN, RIGHT HANDED THREADED ROD PART No. 3536G

NOTES:

IN LIEU OF BLACK SPACER 5703B SUPPLY YELLOW SPACER 5705B OR WHITE SPACER 5706B. (AS REQUIRED PER PROJECT PLANS)

IF REQUIRED PER PROJECT PLANS SUPPLY:  
CABLE PULLING TOOL 5850B  
CABLE TENSIONING METER 5849B OR 5878B  
CABLE THERMOMETER 5709H

<p>CASS-TL4 CABLE GUARDRAIL SAFETY SYSTEM</p>		GALV SPEC:	
		SHIPPING WT:	
<p>TRINITY HIGHWAY SAFETY PRODUCTS, INC.</p>		DRW: E.A.S	12/2/2005
		CHK:	
<p>PROJ: CASS-TL4</p>		SHT: 3 OF 5	SIZE: D
<p>DWG NO: SS-740</p>		REV:	2