

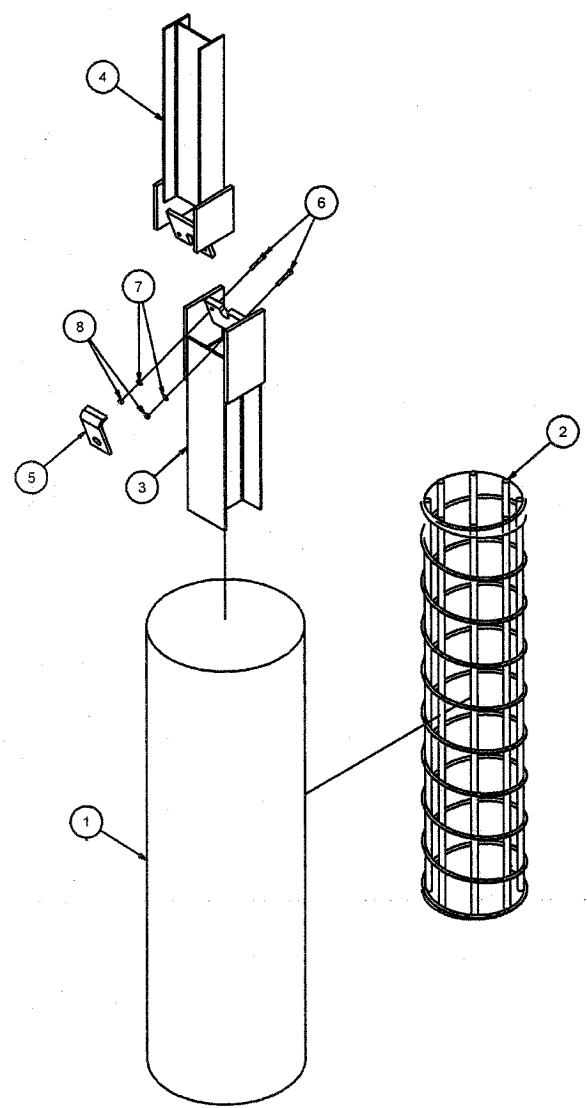
PARTS LIST				
QTY	PART No	ITEM	TITLE	Lbs / Each
1		1	CONCRETE FOOTING - CRP POST	1274.10
1	33916B	2	REINFORCING CAGE - CRP POST	68.07
1	33934A	3	CRP - LOWER POST	51.80
1	33935A	4	CRP - UPPER POST	31.57
1	33909G	5	CASS CABLE BRACKET	1.92
2	3248G	6	5/16 HEX BOLT x 2" (SAE Gr.5)	0.06
2	5831G	7	5/16 FLAT WASHER (SAE Gr.5)	0.00
2	5832G	8	5/16 DIA. HEX NUT (SAE Gr.5)	0.01

PARTS LIST				
QTY	PART No	ITEM	TITLE	Lbs / Each
1	33936A	1	CRP - LOWER POST	178.57
1	33935A	2	CRP - UPPER POST	31.57
1	33909G	3	CASS CABLE BRACKET	1.92
2	3248G	4	5/16 HEX BOLT x 2" (SAE Gr.5)	0.06
2	5831G	5	5/16 FLAT WASHER (SAE Gr.5)	0.00
2	5832G	6	5/16 DIA. HEX NUT (SAE Gr.5)	0.01

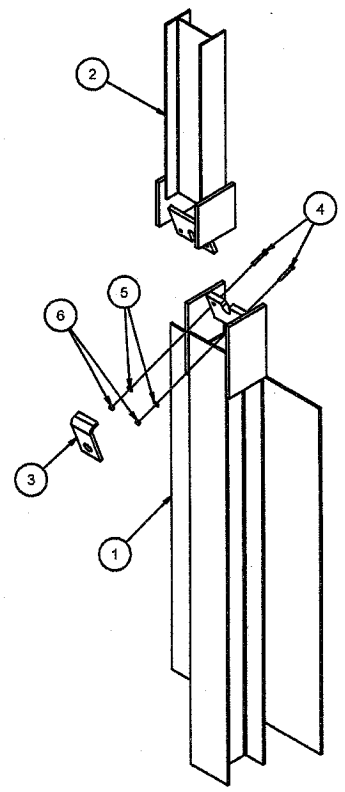
PARTS LIST				
QTY	PART No	ITEM	TITLE	Lbs / Each
1		1	CONCRETE FOOTING - LINE POST	309.19
1	33908G	2	SLEEVE - TERMINAL LINE POST	20.90
1	5836B	3	CONCRETE REINFORCING RING	0.88
1	33910G	4	350-TL3 TERMINAL POST	28.63
1	5839B	5	SLEEVE COVER - S3 ANCHOR POST	0.11
3	5825G	6	CABLE LOCK BOLT (A307)	0.12
3	3245G	7	5/16 DIA. HEX NUT (A563)	0.01
2	5919B	8	#4 REBAR - TERMINAL POST	1.78

PARTS LIST				
QTY	PART No	ITEM	TITLE	Lbs / Each
1		1	CONCRETE FOOTING - LINE POST	309.19
1	33908G	2	SLEEVE - TERMINAL LINE POST	20.90
1	5836B	3	CONCRETE REINFORCING RING	0.88
1	33955G	4	350-TL4 TERMINAL POST	32.42
1	5839B	5	SLEEVE COVER - S3 ANCHOR POST	0.11
3	5825G	6	CABLE LOCK BOLT (A307)	0.12
3	3245G	7	5/16 DIA. HEX NUT (A563)	0.01
2	5919B	8	#4 REBAR - TERMINAL POST	1.78

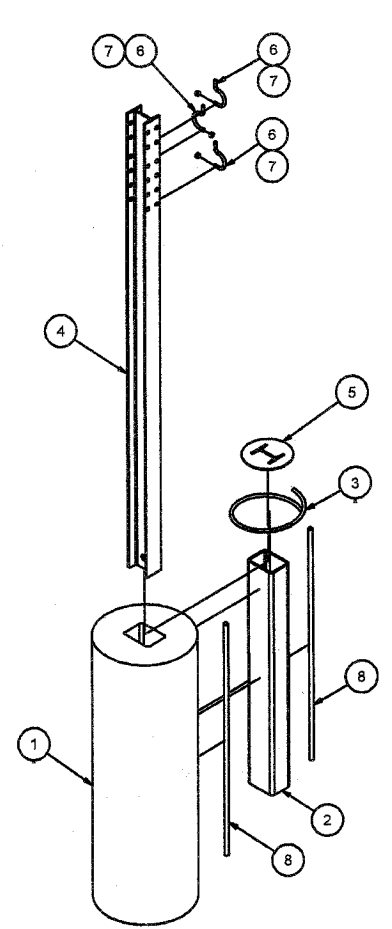
PARTS LIST				
QTY	PART No	ITEM	TITLE	Lbs / Each
1	33903A	1	350-TL3 TERMINAL POST w/ SOIL PLATE	42.25
3	5825G	6	CABLE LOCK BOLT (A307)	0.12
3	3245G	7	5/16 DIA. HEX NUT (A563)	0.01
2	4779G	3	3/4 HEX BOLT x 4 1/2" (A325)	0.09
2	9021G	2	BEARING ANGLE (A36)	3.81
2	3701G	4	3/4 FLAT WASHER (F436)	0.01
2	3711G	5	3/4 HEX NUT (A194 2H)	0.02



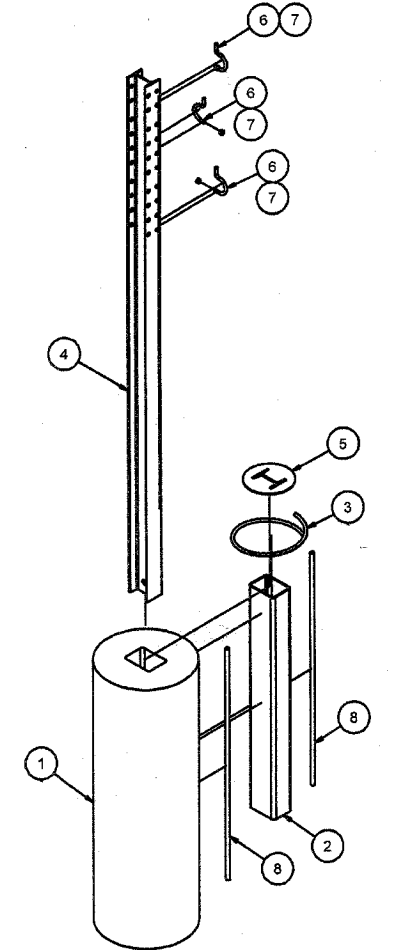
CRP TERMINAL POST - IN CONCRETE
(CCT TERMINAL POST 1 - 3)
(POST OPTION #1 SHOWN)



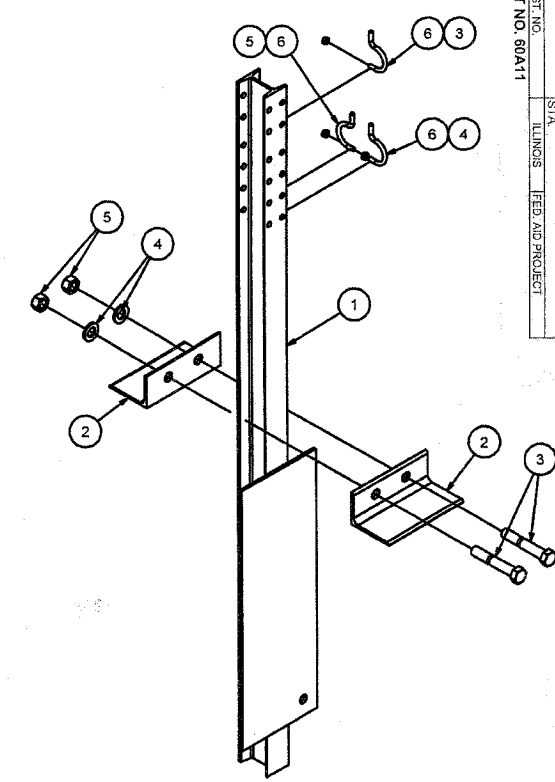
CRP TERMINAL POST - DRIVEN
(CCT TERMINAL POST 1 - 3)
(POST OPTION #2 SHOWN)



TERMINAL LINE POST - IN CONCRETE
(CCT TERMINAL POST 4 - 7)
(POST OPTION #1 SHOWN)



TERMINAL LINE POST - IN CONCRETE
(CCT TERMINAL POST 8 - 9)
(POST OPTION #1 SHOWN)



TERMINAL LINE POST - WITH SOIL PLATE
(CCT TERMINAL POST - 4)
(POST OPTION #2 SHOWN)

FED. ROAD DIST. NO.	55	FED. AID PROJECT	
STA.	2005+00.00	STA.	
LINE	GR	LINE	
COUNTY	WILL	TOTAL SHEETS	18
SECTION		SHEET NO.	17
RTE		TOTAL SHEETS	17
FBI			

CASS-TL4 CABLE GUARDRAIL SAFETY SYSTEM		GALV SPEC:	
		SHIPPING WT:	
DRW: E.A.S 12/2/2006		CHK:	
SHT: 4 OF 5		SIZE: D	
DWG NO: SS-740		REV: 2	
TRINITY HIGHWAY SAFETY PRODUCTS, INC.			

PROJ: CASS-TL4

3-29-06