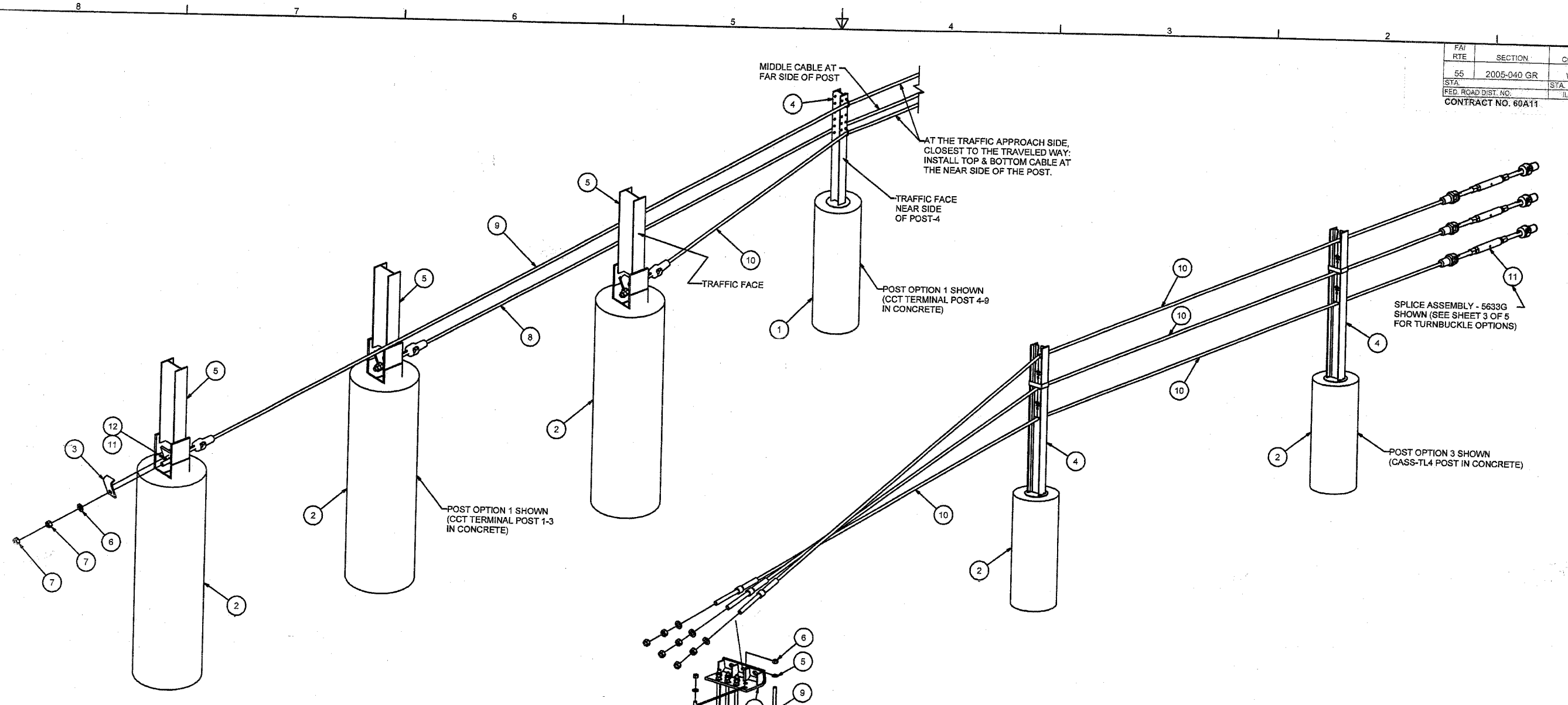


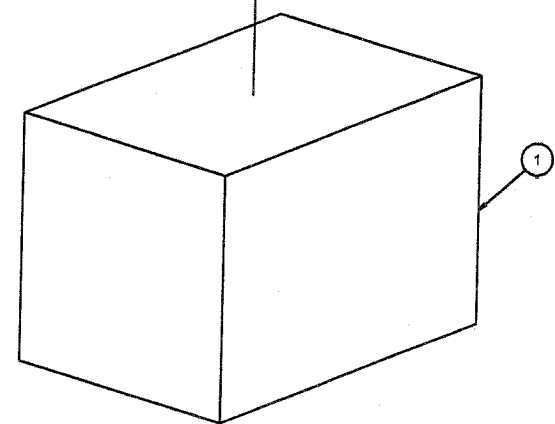
PAI RTE	SECTION	COUNTY	TOTAL SHEETS	SHEET NO.
55	2005-040 GR	WILL	18	18
STA	STA	ILLINOIS	FED. AID PROJECT	
CONTRACT NO. 60A11				



CASS-TL4 CABLE TERMINAL
(SHOWN WITH POST OPTION 1)

QTY	PART No	ITEM	TITLE	Lbs / Each
6		1	CONCRETE FOOTING - LINE POST	309.19
3		2	CONCRETE FOOTING - CRP POST	1274.10
3	33909G	3	CASS CABLE BRACKET	1.92
4	33910G	4	350-TL3 TERMINAL POST	28.63
3	33935A	5	CRP - UPPER POST	31.57
3	4902G	6	1" FLAT WASHER (F436)	0.01
6	4903G	7	1" HEX NUT (A194 2H)	0.04
1	5817G	8	CRP - TOP CABLE ASSEMBLY [54'-3"]	92.34
1	5818G	9	CRP - MIDDLE CABLE ASSEMBLY [48'-0"]	101.81
1	5819G	10	CRP - BOTTOM CABLE ASSEMBLY [41'-9"]	83.04
6	5831G	11	5/16 FLAT WASHER (SAE Gr.5)	0.00
6	5832G	12	5/16 DIA. HEX NUT (SAE Gr.5)	0.01

QTY	PART No	ITEM	TITLE	Lbs / Each
1		1	CONCRETE ANCHOR BLOCK	8011.20
3		2	CONCRETE POST - CASS POST	264.40
1	33918A	3	CASS ANCHOR BRACKET	21.83
3	33954G	4	CASS-TL4 POST - CONCRETE	34.50
8	3700G	5	3/4 FLAT WASHER (F844)	0.01
8	3710G	6	3/4" HEX NUT (A563)	0.02
3	4902G	7	1" FLAT WASHER (F436)	0.01
6	4903G	8	1" HEX NUT (A194 2H)	0.04
8	5134G	9	3/4 DIA HOOK BOLT (A307)	4.39
3	5867G	10	CCA - ANCHOR CABLE [25'-0"]	30.9
3	5833G	11	FIELD SPLICE ASSEMBLY - 1"	12.79



CASS-TL4 CABLE ANCHOR
(SHOWN WITH POST OPTION 1)

CASS-TL4 CABLE GUARDRAIL SAFETY SYSTEM		GALV SPEC:	
		SHIPPING WT:	
DRW: E.A.S		12/22/2005	
CHK:		SHT: 5 OF 5	
DWG NO:		REV:	
SS-740		2	

PROJ: CASS-TL4

3-29-06