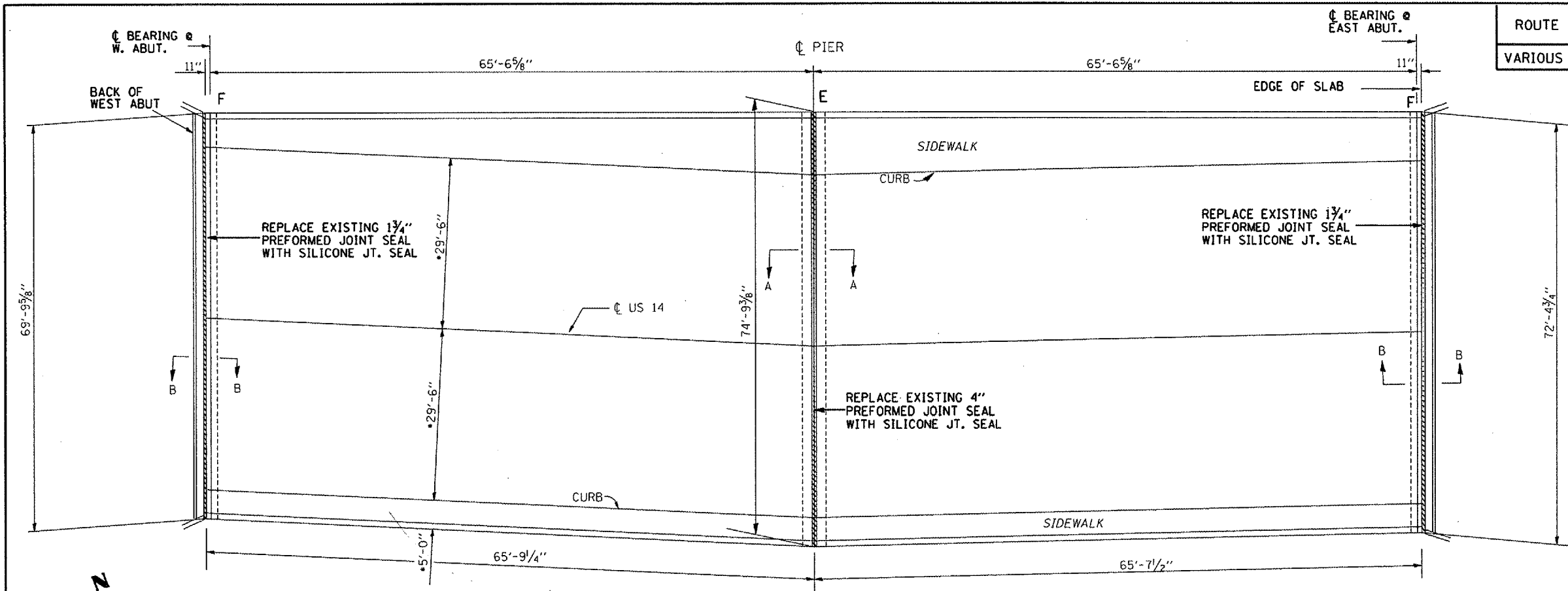
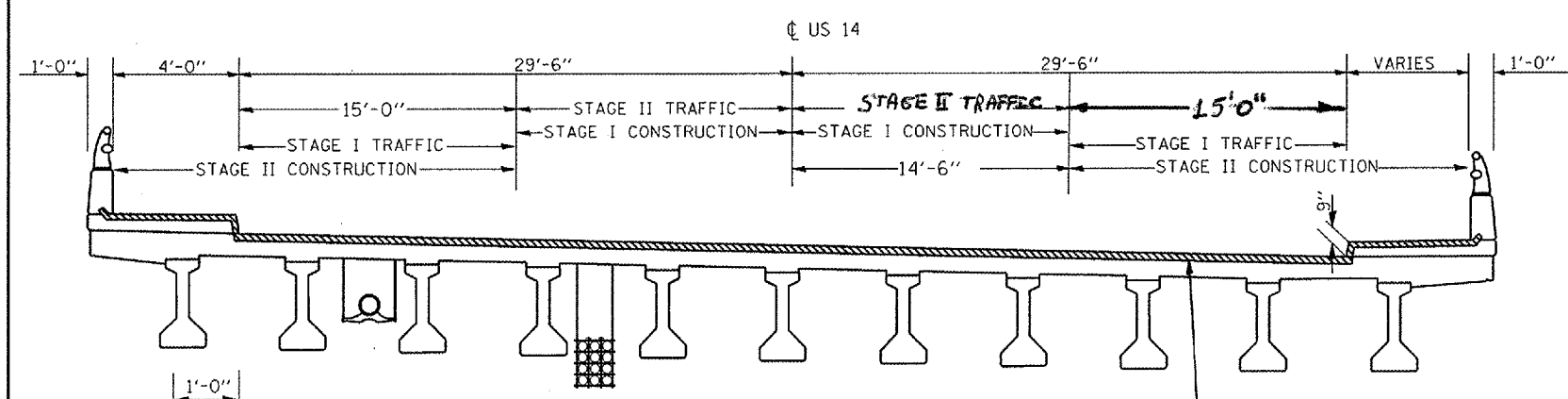


ROUTE	SECTION	COUNTY	TOTAL SHEETS	SHEET NO.
VARIOUS	2005-042I	VARIOUS	12	7



* DIMENSION ARE MEASURED RADIALLY

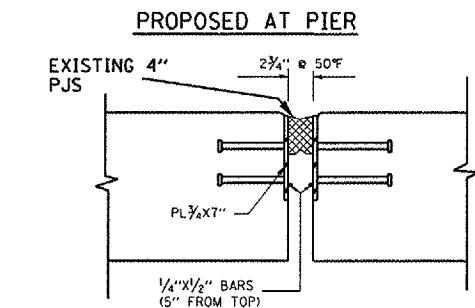
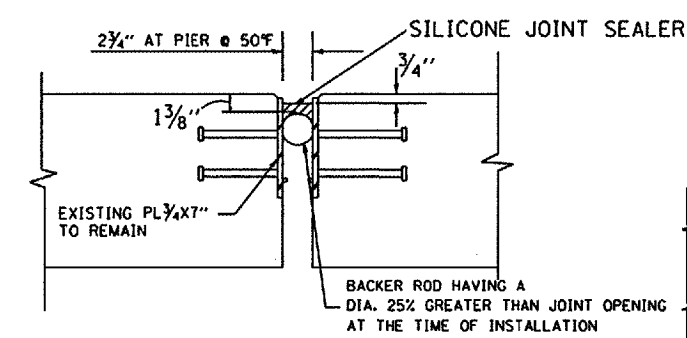
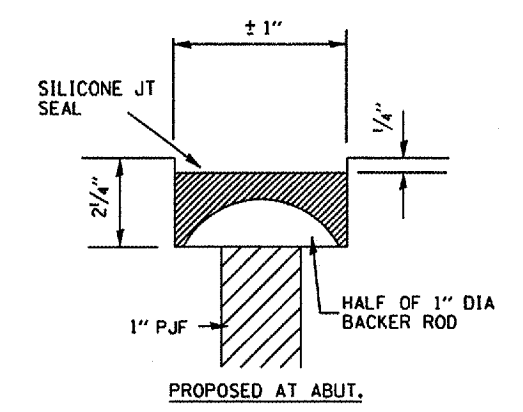
PLAN



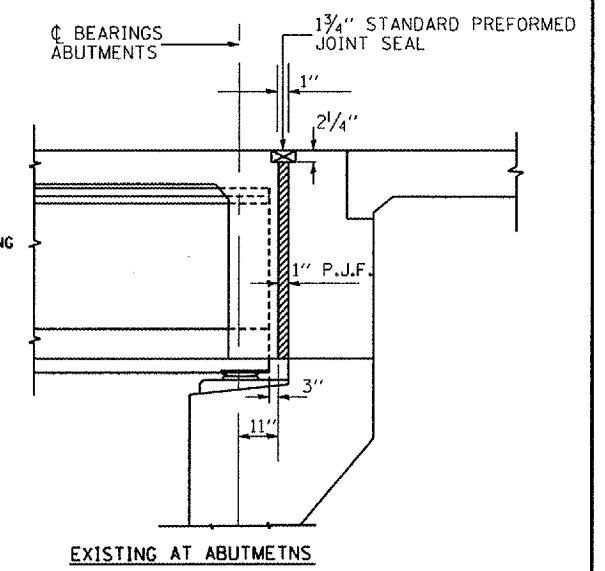
TYPICAL SECTION

BILL OF MATERIAL

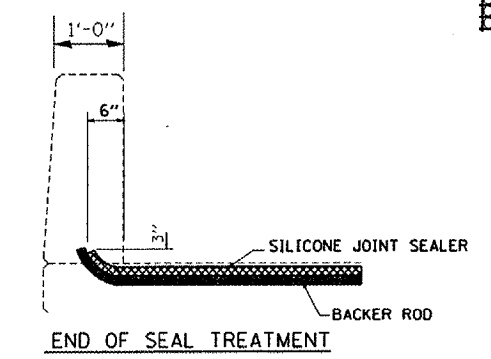
PAY ITEMS	UNIT	QUANTITY
SILICONE JOINT SEALER 2 3/4"	FOOT	75
SILICONE JOINT SEALER 1"	FOOT	143



EXISTING SECTION A-A



SECTION B-B



ILLINOIS DEPARTMENT OF TRANSPORTATION
 LOCATION 2
 SN: 016-0238
 SCALE: VERT. HORIZ.
 DATE: DRAWN BY: CHECKED BY:

PLOT DATE: 3/20/2006
 PLOT SCALE: 1/8" = 1'-0"
 USER NAME: mduffy