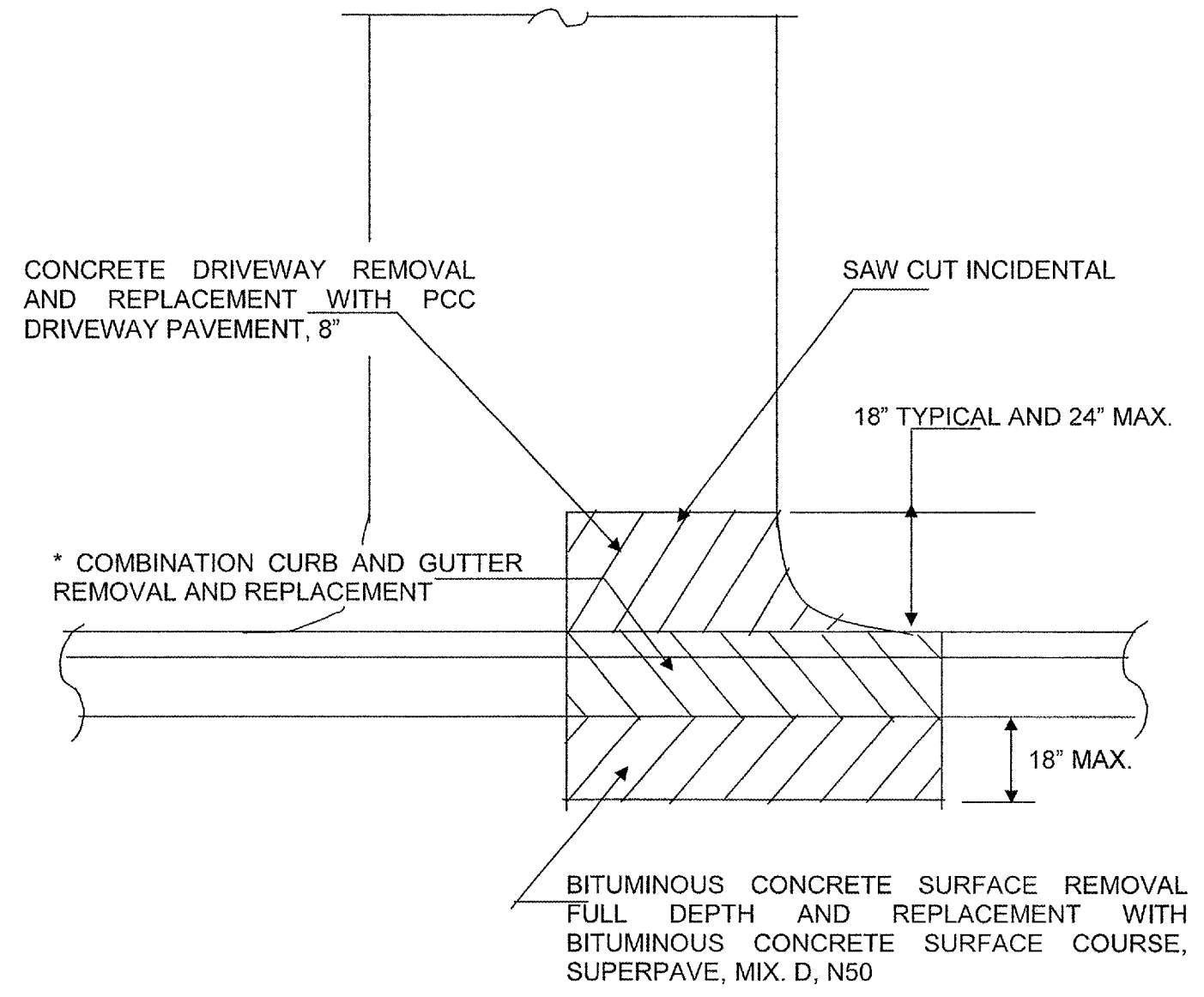


ROUTE	SECTION	COUNTY	TOTAL SHEETS	SHEET NUMBER
VARIOUS	2005-0771	COOK	14	11

CONTRACT NO.: 60A83



\* PROPOSED DEPRESSED CURB AND EXACT LENGTH SHALL BE DETERMINED IN THE FIELD BY THE ENGINEER (TYPICAL)

ILLINOIS DEPARTMENT OF TRANSPORTATION

DETAIL: CONCRETE DRIVEWAY