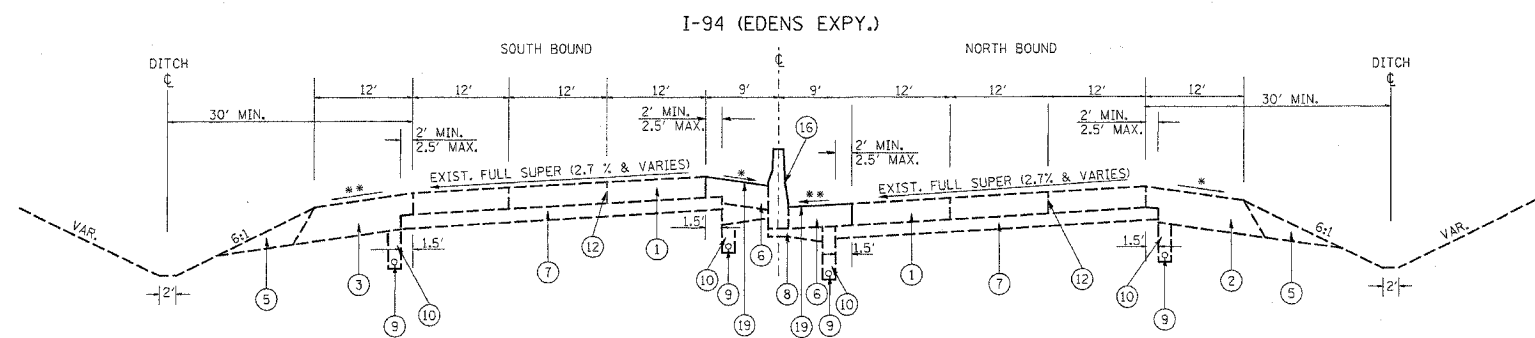
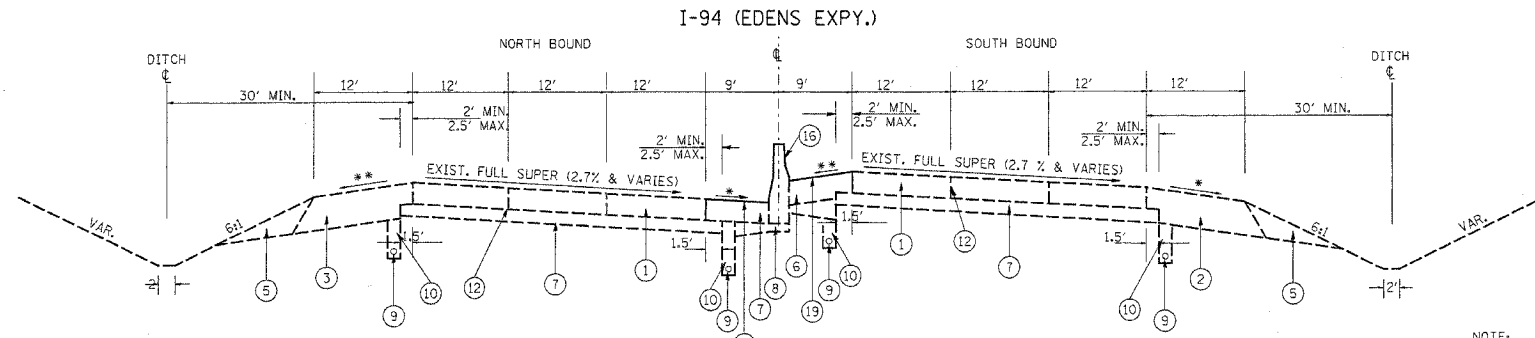


EXISTING/PROPOSED TYPICAL CROSS SECTION
LAWRENCE AVE TO TOUHY AVE
WILLOW RD TO DUNDEE RD



EXISTING/PROPOSED TYPICAL CROSS SECTION
LAWRENCE AVE TO TOUHY AVE
WILLOW RD TO DUNDEE RD



EXISTING/PROPOSED TYPICAL CROSS SECTION
LAWRENCE AVE TO CALDWELL/PETERSON AVE
WILLOW RD TO DUNDEE RD

LEGEND

- ① EXISTING CONTINUOUSLY REINF. PCC PAVEMENT (10")
- ② EXISTING BITUMINOUS BASE COURSE, 13" (NORTHBOUND)
- ③ EXISTING BITUMINOUS SHOULDER, 13" (SOUTHBOUND)
- ④ EXISTING GRANULAR MATERIAL TYPE A, 6"
- ⑤ EXISTING AGGREGATE SHOULDER, TYPE B
- ⑥ EXISTING BITUMINOUS SHOULDER (10")
- ⑦ EXISTING STABILIZED SUB-BASE, 4"
- ⑧ EXISTING SUB BASE GRANULAR MATERIAL, SPECIAL
- ⑨ EXISTING PIPE UNDERDRAIN, 4"
- ⑩ EXISTING BACKFILL FOR PIPE UNDERDRAIN
- ⑪ EXIST. COMB. CONC. CURB & GUTTER
- ⑫ EXISTING CONSTRUCTION JOINT
- ⑬ EXISTING 4" DIA. PVC DUCT
- ⑭ EXISTING CONCRETE BARRIER WALL, TYPE 1
- ⑮ EXISTING CONCRETE BARRIER WALL, TYPE 2
- ⑯ EXISTING CONCRETE BARRIER WALL, TYPE 3
- ⑰ EXISTING CONCRETE BARRIER WALL, TYPE 4
- ⑱ EXISTING CONSTRUCTION JOINT & KEY WAY, 2" x 6"
- ⑲ PROPOSED ASPHALTIC EMULSION SLURRY SEAL

NOTE:

EXISTING CONDITION

* WHEN THE SUPERELEVATION RATE OF THE EXISTING PAVEMENT IS BETWEEN 0.00 FT/FT AND 0.03 FT/FT THE SHOULDER SHALL BE SLOPED AT 0.04 FT/FT. WHEN THE SUPERELEVATION RATE OF THE PAVEMENT EXCEEDS 0.03 FT/FT, THE SHOULDER SHALL BE SLOPED SO THAT THE ALGEBRAIC DIFFERENCE BETWEEN PAVEMENT AND SHOULDER WILL NOT BE GREATER THAN 0.07 FT/FT.

** EXISTING BITUMINOUS SHOULDER SLOPE SHALL BE THE SAME AS THE SUPERELEVATION RATE BUT NOT LESS THAN 1/2" / FT.

EXISTING CONCRETE BARRIER WALL LOCATIONS

- TYPE 2 = STA 84+16.25 TO STA 82+10.75
- TYPE 3 = STA 82+10.75 TO STA 80+91.75
- TYPE 2 = STA 80+91.75 TO STA 73+97.45
- TYPE 3 = STA 73+97.45 TO STA 67+87.25
- TYPE 2 = STA 67+87.25 TO STA 65+31.75
- TYPE 3 = STA 65+31.75 TO STA 57+28.75
- TYPE 2 = STA 57+28.75 TO STA 55+56
- TYPE 3 = STA 55+56 TO STA 46+85
- TYPE 2 = STA 46+85 TO STA 44+95.15
- TYPE 1 = STA 44+95.15 TO STA 30+00
- TYPE 1 = STA 27+68 TO STA 25+91
- TYPE 1 = STA 22+35 TO STA 20+50
- TYPE 3 = STA 20+50 TO STA 19+56
- TYPE 3 = STA 19+02 TO STA 17+50
- TYPE 1 = STA 17+50 TO STA 00+50.75
- TYPE 2 = STA 00+50.75 TO STA 02+82.75
- TYPE 1 = STA 02+82.75 TO STA 15+00

NOTE:

TYPICAL SECTION - SUPERELEVATED PAVEMENT
(NORTHBOUND PROFILE GRADE ELEVATION = SOUTHBOUND PROFILE GRADE ELEVATION)

TYPICAL SECTION - SUPERELEVATED PAVEMENT
(NORTHBOUND PROFILE GRADE ELEVATION ≠ SOUTHBOUND PROFILE GRADE ELEVATION)

TYPICAL SECTION - NORMAL CROWN PAVEMENT
(NORTHBOUND PROFILE GRADE ELEVATION ≠ SOUTHBOUND PROFILE GRADE ELEVATION)

REVISIONS	
NAME	DATE

ILLINOIS DEPARTMENT OF TRANSPORTATION
FAI 94/ I-94
LAWRENCE AVE TO LAKE-COOK RD

TYPICAL CROSS SECTION

SCALE: VERT. _____
HORIZ. _____
DATE _____

DRAWN BY _____
CHECKED BY _____

PLOT DATE = 3/25/2006
 FILE NAME = C:\p05\1053881\1053881.dwg
 PLOT SCALE = 1/8" = 1'-0"
 USER NAME = atesdps