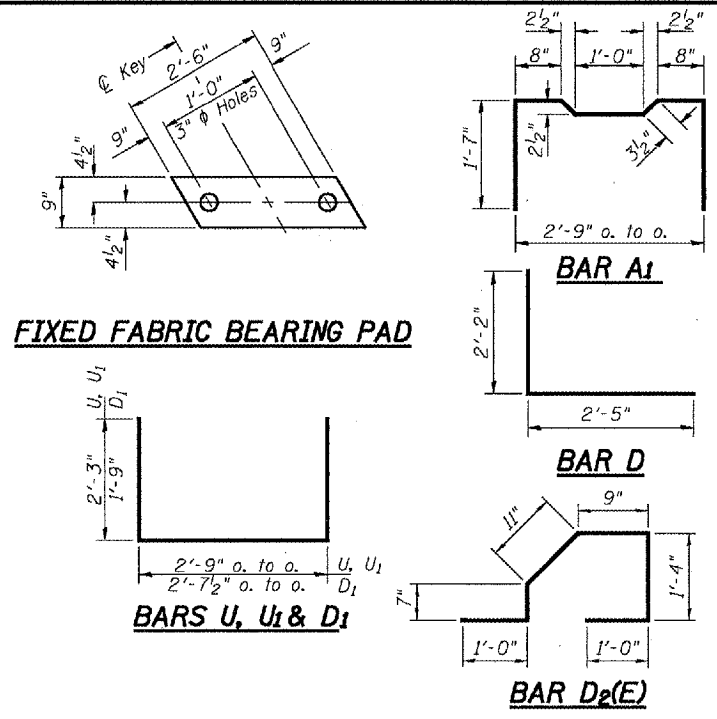


STATE OF ILLINOIS
DEPARTMENT OF TRANSPORTATION

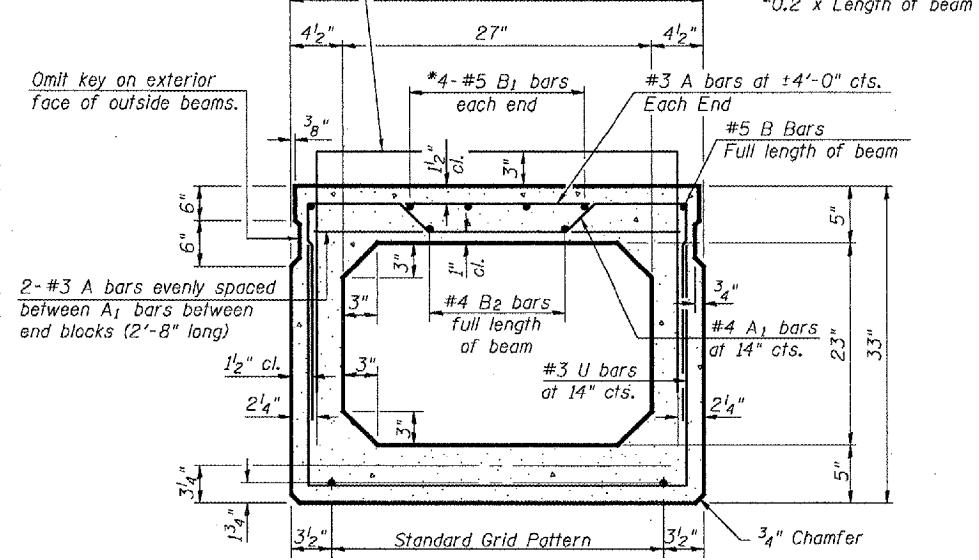
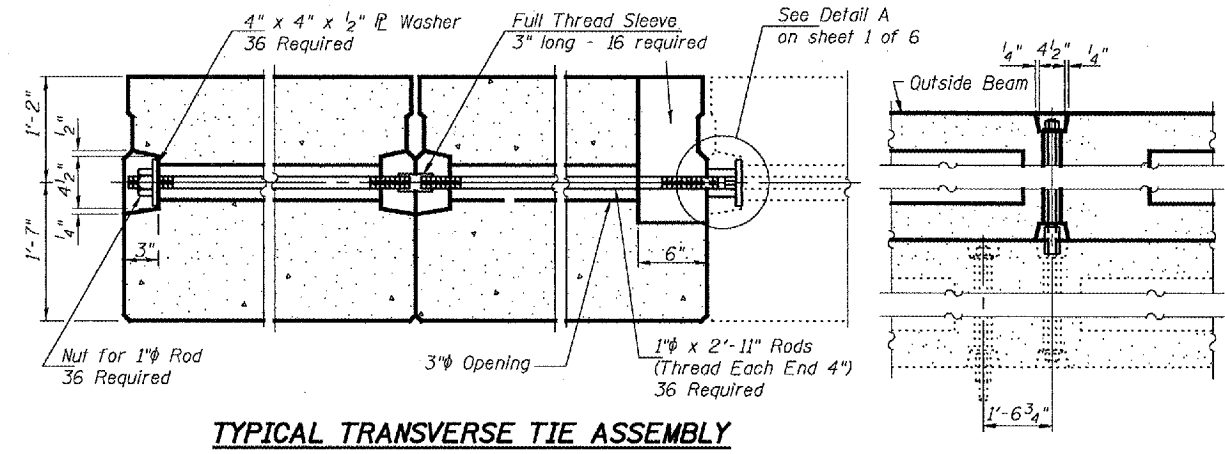
ROUTE NO.	SECTION	COUNTY	TOTAL SHEETS	SHEET NO.
		Cook	6	2
SHEET NO. 2 5 SHEETS				

Contract Number: 60B12

See Deck Cross Section for location and type of additional bars cast in beams.

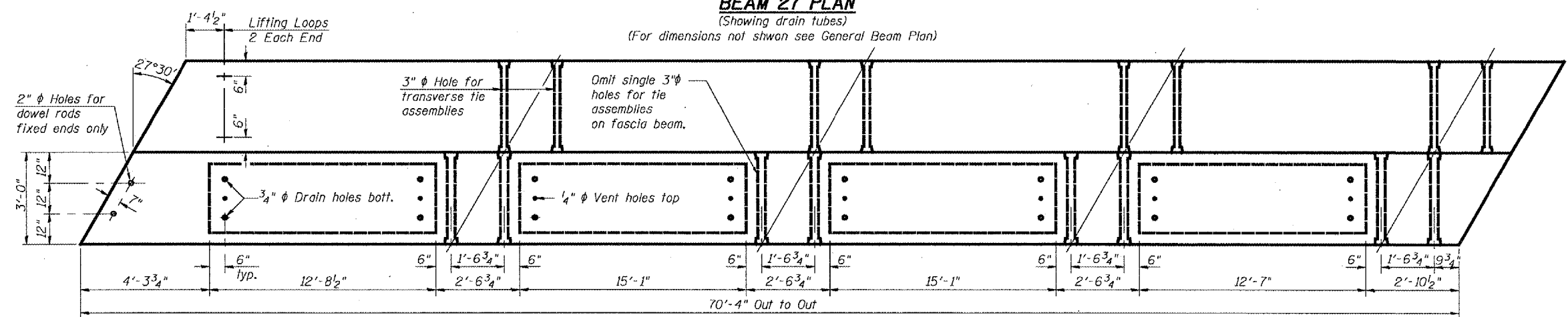
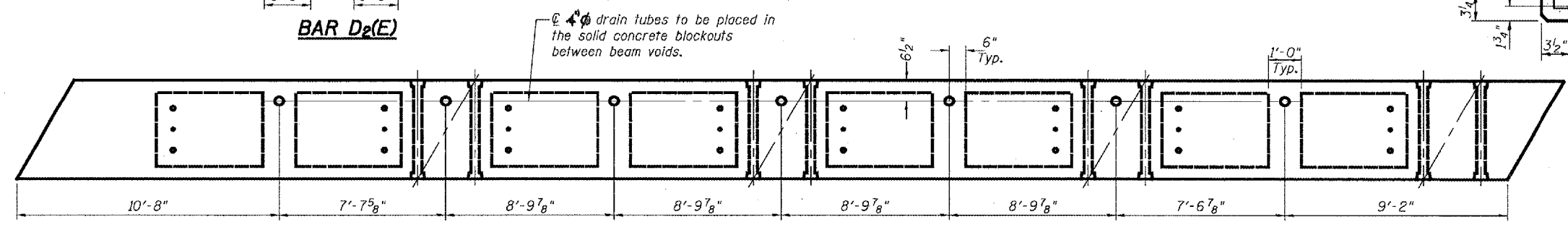


6" x 6" x 1 1/2" Blockout to be filled with Class BD Concrete after Beams have been installed. Cost shall be included in the cost of "Concrete Wearing Surface". North Face of Beam 25 only.



1/2" φ Strands, Each Strand Stressed to 30,900 Lbs.
9-Strands 1 3/4" up, 4-Strands 3/4" up

Note:
Place strands symmetrically about centerline of beam.



BILL OF MATERIAL

Bar	No.	Size	Length	Shape
Precast Prestressed Conc. Deck Bms.			Sq. Ft.	1055
Concrete Wearing Surface			Sq. Yd.	108.8

Reinforcement bars designated (E) shall be epoxy coated.

EXPANSION FABRIC BEARING PAD

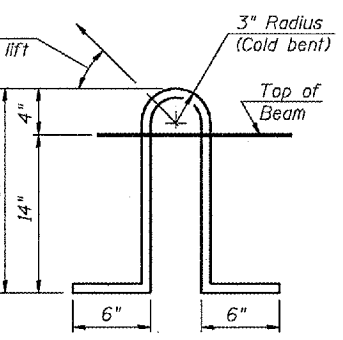
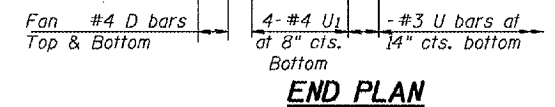
DESIGNED	V.H.V.
CHECKED	A.T.H.
DRAWN	Drew Christopher
CHECKED	V.H.V.

April 24, 2006

EXAMINED *John A. Morris*
ENGINEER OF STRUCTURAL SERVICES

PASSED *Ralph E. Anderson*
ENGINEER OF BRIDGES AND STRUCTURES

8 x 3-W2.5 x W5.5 Wire Fabric, W5.5 vert. Full depth of beam. Each End.



NOTES

Prestressing steel shall be uncoated high strength, low relaxation 7-wire strand, Grade 270. The nominal diameter shall be 1/2" and the nominal cross-sectional area shall be 0.153 sq. in. Lifting loops shall be 3-1/2" φ-270 ksi strands, as shown.

The 1" φ rods in the transverse tie assembly shall be tightened to a snug fit and the threads set. Pockets that receive transverse tie bar on outside shall be filled with grout after transverse tie assembly is in place.

The bearing seat surfaces shall be adjusted by shimming to assure firm and even bearing. Two 1/8" fabric adjusting shims of the dimensions shown shall be provided for each bearing.

Keyway surfaces shall be cleaned to remove form oil or other bond breaking material prior to shipment of the beams. Cleaning shall be done by sandblasting the keyway areas between top of the beam and the bottom edge of the key.

Corrosion Inhibitor, as covered in the Special Provisions, shall be used in the concrete for precast prestressed concrete deck beams.

Required Release Strength, f'ci, shall be 4000 p.s.i.

BEAM DETAILS
F.A.P. RT. 559/339
COOK COUNTY
SN 016-0349