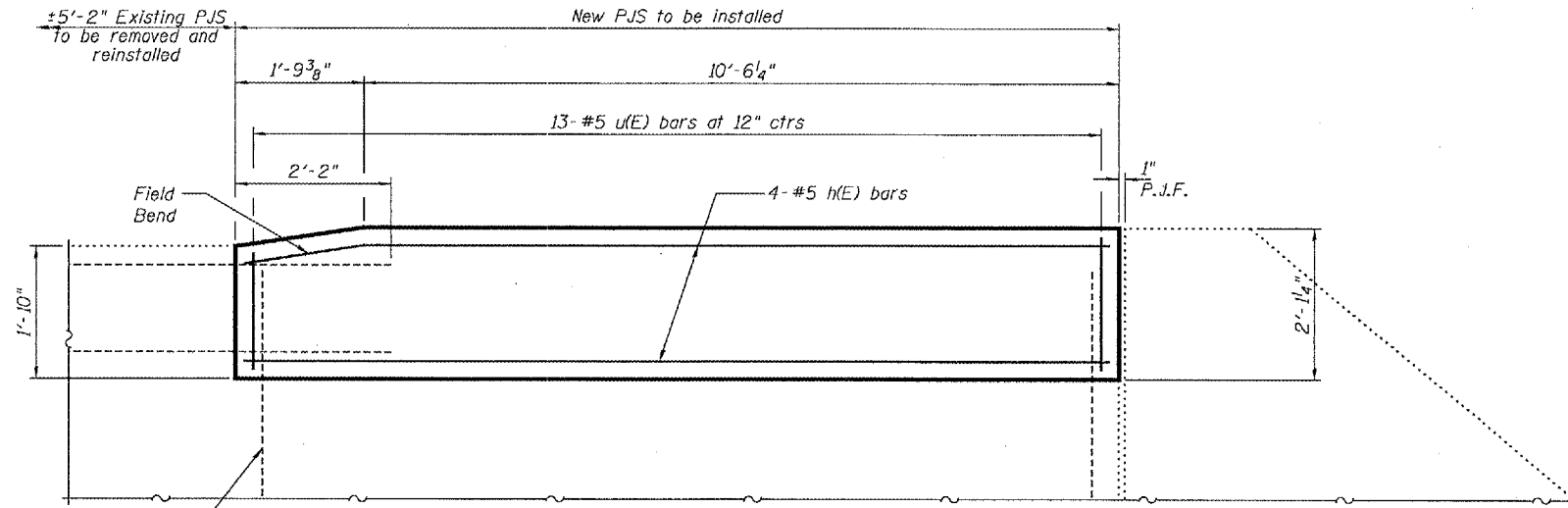


STATE OF ILLINOIS
DEPARTMENT OF TRANSPORTATION

ROUTE NO.	SECTION	COUNTY	JOB NO.	SHEET NO.
		COOK		5
FED. ROAD DIST. NO. 7	ILLINOIS	FED. AID PROJECT		

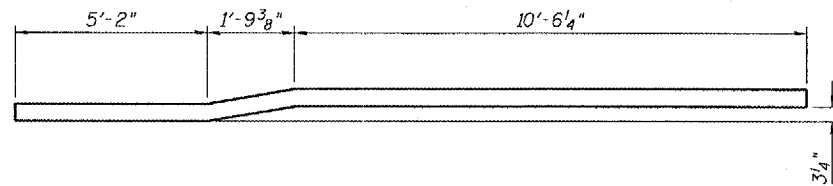
SHEET NO. 4
5 SHEETS

Contract Number: 60B12



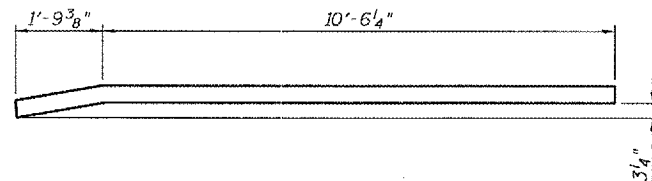
EAST ABUTMENT ELEVATION

(Looking East)
West Abutment Similar



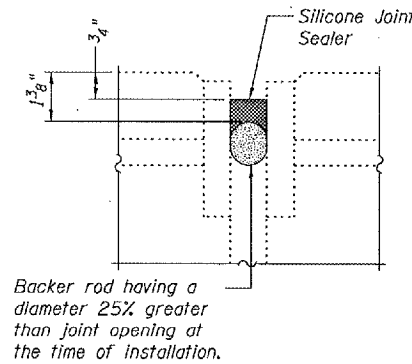
DECK SIDE JOINT PLATE DETAIL

(2 R's Required)



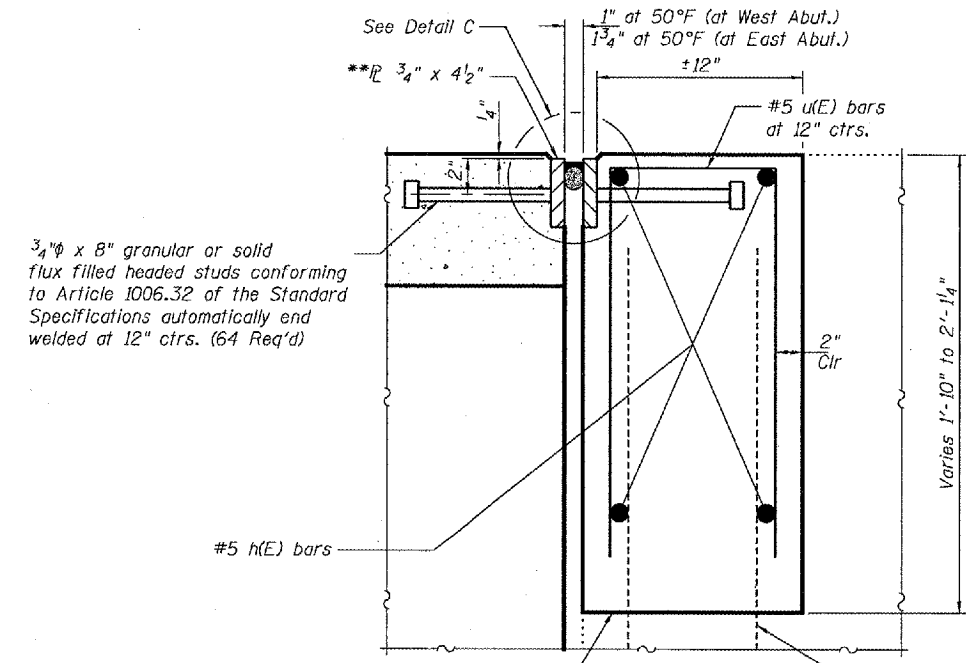
ABUTMENT SIDE JOINT PLATE DETAIL

(2 R's Required)



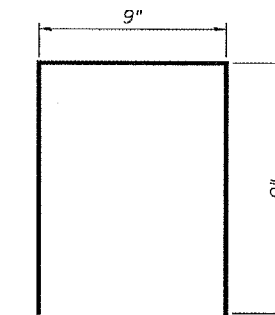
DETAIL C

(Joint at existing shown)
(Joint at new similar)



DETAIL B

Existing P.J.S. to be removed and re-installed. Cut and remove existing R 3/4" x 3 3/4" within limits of wearing surface removal on the deck side only.
**Seal space between existing and new plates with silicone sealant suitable for Structural Steel. Cost of silicone sealant is included with Furnishing and Erecting Structural Steel.



Bar u(E)

DESIGNED	V.H.V.
CHECKED	A.T.H.
DRAWN	Drew Christopher
CHECKED	V.H.V.

April 24, 2006	
EXAMINED	John A. Morris ENGINEER OF STRUCTURAL SERVICES
PASSED	Ralph E. Anderson ENGINEER OF BRIDGES AND STRUCTURES

ABUTMENT AND JOINT DETAILS

F.A.P. RT. 559/339

COOK COUNTY

SN 016-0349

Quantity for Reinforcing Bar Epoxy Coated, Concrete Removal, and Concrete Superstructures is included in the Bill of Material on Sheet 3 of 5.