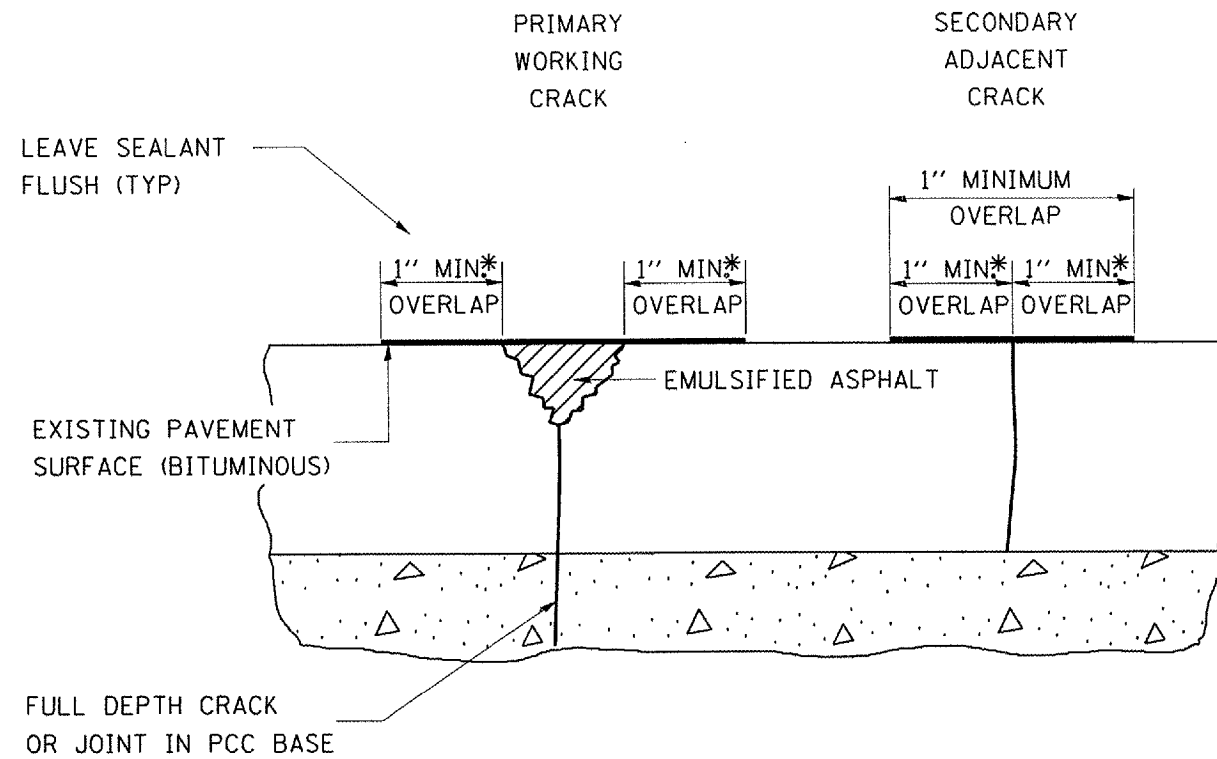
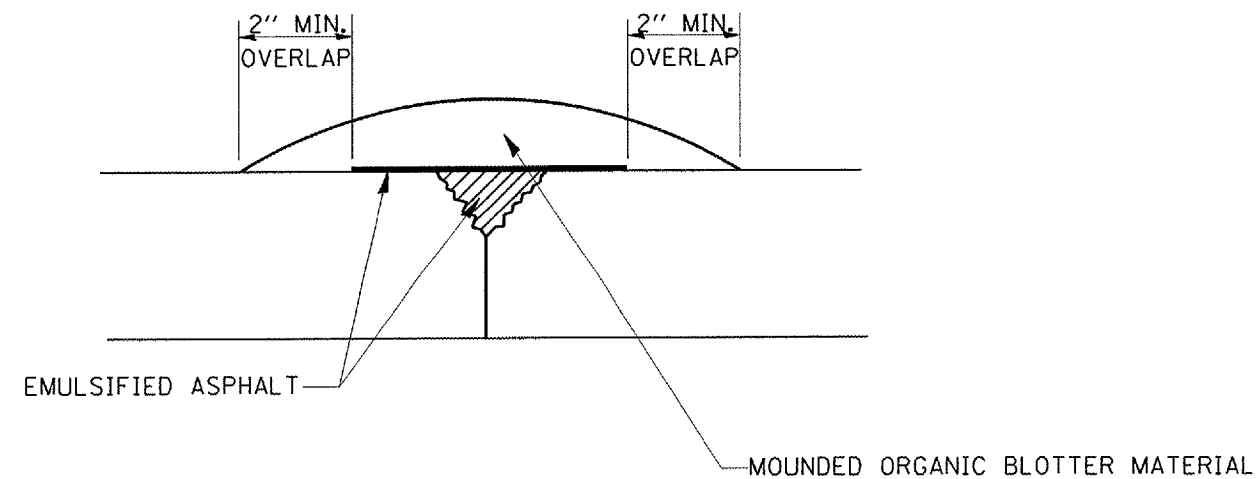


ROUTE	SECTION	COUNTY	TOTAL SHEETS	SHEET NO.
VARIOUS	1202	MCHENRY	7	6

CONTRACT NO. 60B66



*IN ALL LOCATIONS WHERE THE LONGITUDINAL CRACK CONFLICTS WITH EXISTING PAVEMENT MARKINGS (EITHER EDGE LINE OR LANE LINE) THE CRACK SHALL BE FILLED WITH EMULSIFIED ASPHALT. HOWEVER, THE 2" OVERLAP SHALL BE DELETED TO PREVENT UNNECESSARY DAMAGE TO THE EXISTING PAVEMENT MARKINGS. ALL EXCESSIVE DAMAGES TO EXISTING PAVEMENT MARKINGS & RAISED REFLECTIVE PAVEMENT MARKERS SHALL BE REPLACED AT THE EXPENSE OF THE CONTRACTOR.



ORGANIC BLOTTER MATERIAL

REVISIONS	
NAME	DATE

ILLINOIS DEPARTMENT OF TRANSPORTATION
CRACK AND JOINT SEALING (MULCH)
 SCALE: VERT. _____
 HORIZ. _____
 DATE 3/2/2006
 DRAWN BY _____
 CHECKED BY _____