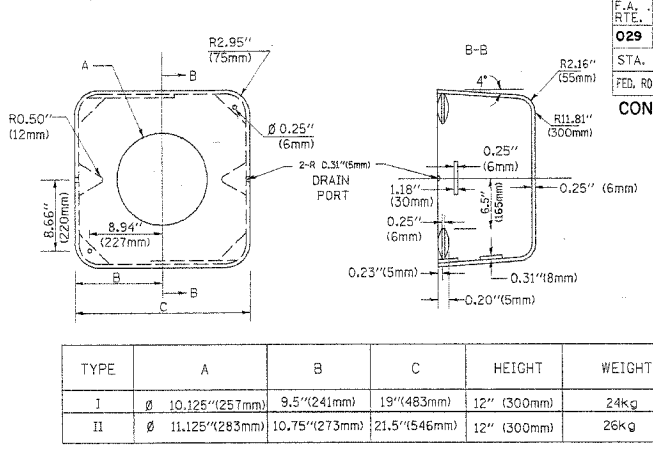
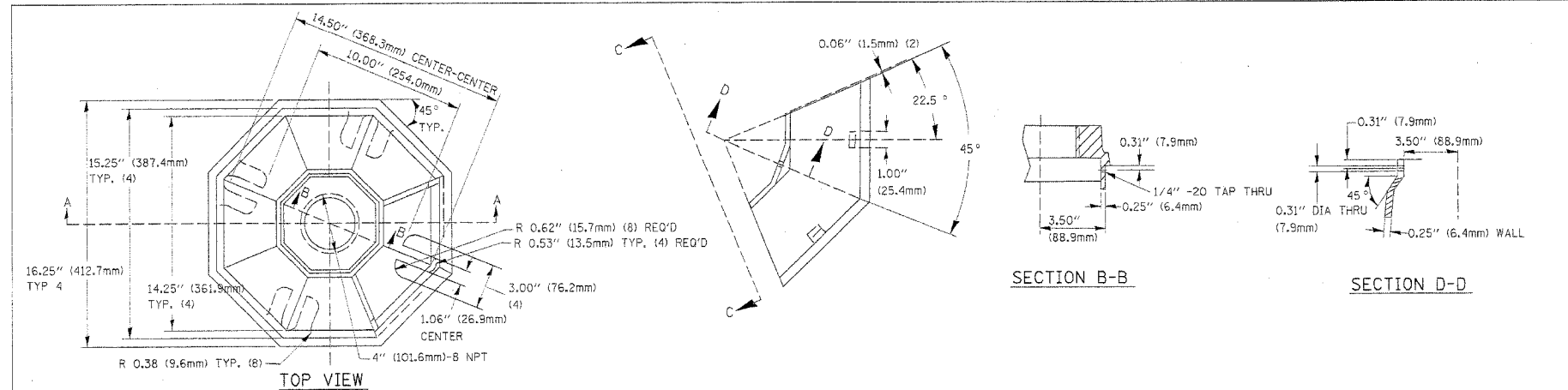
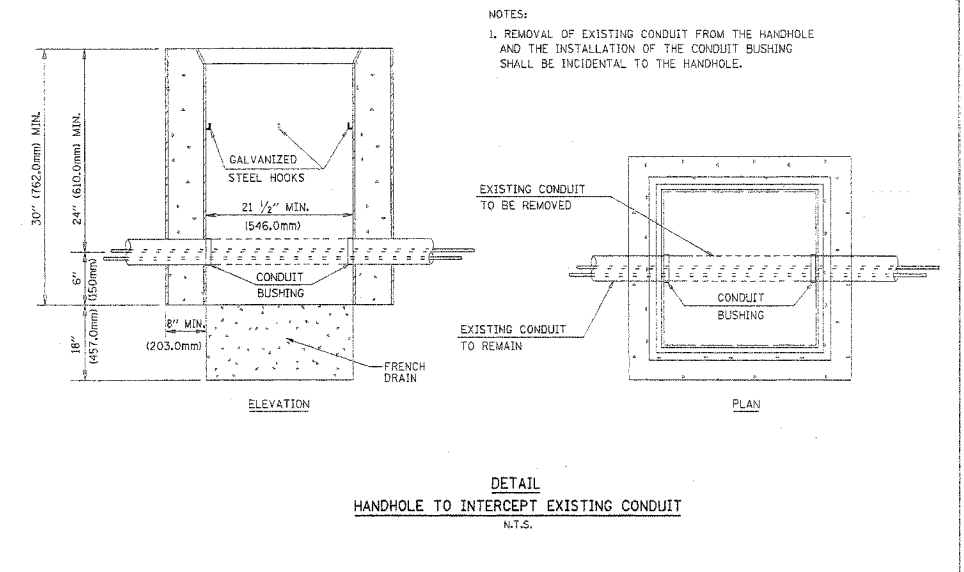
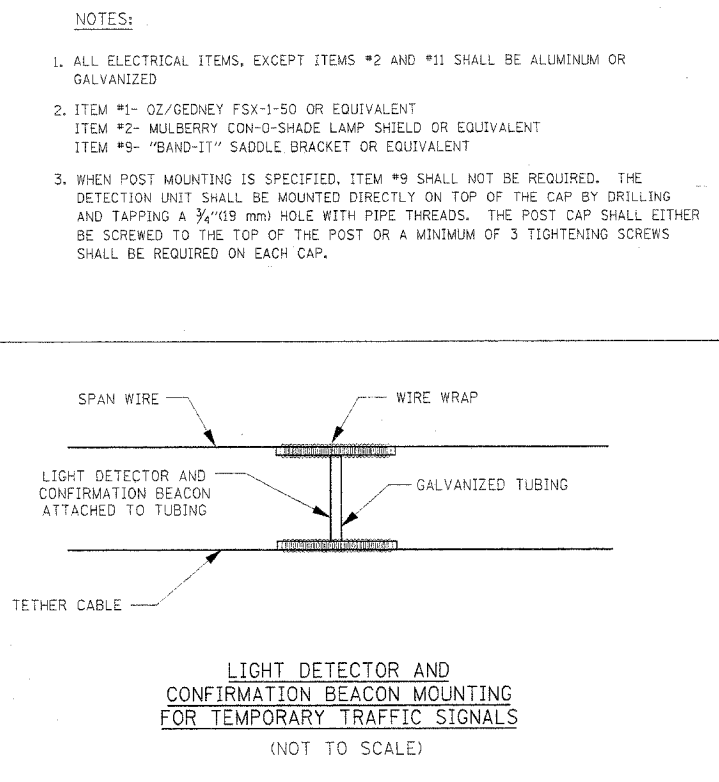
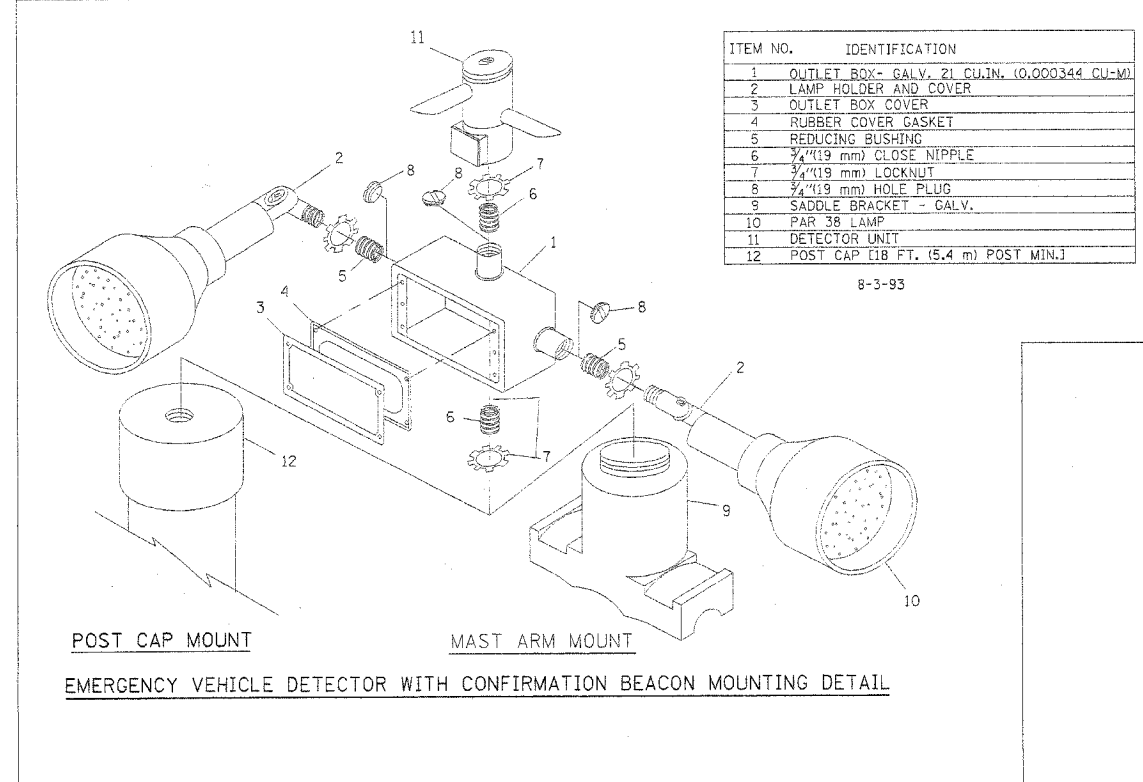
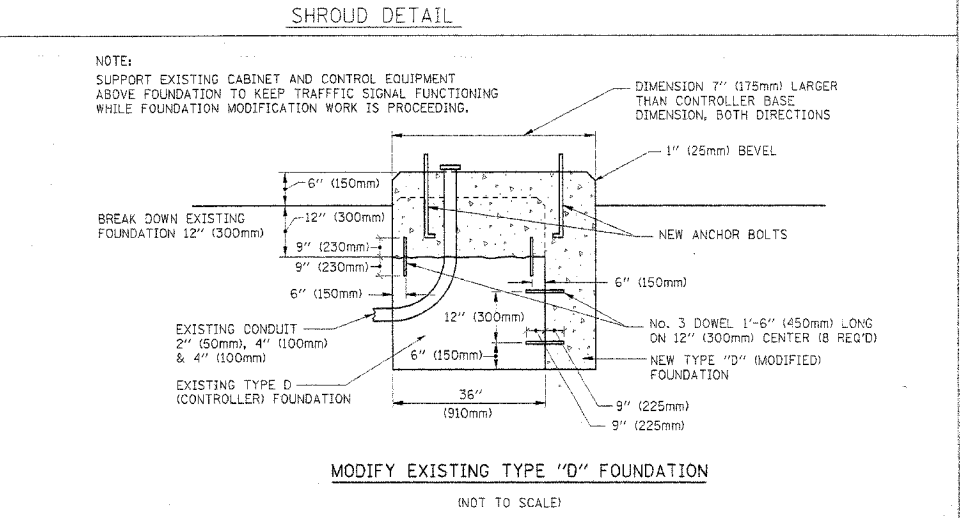
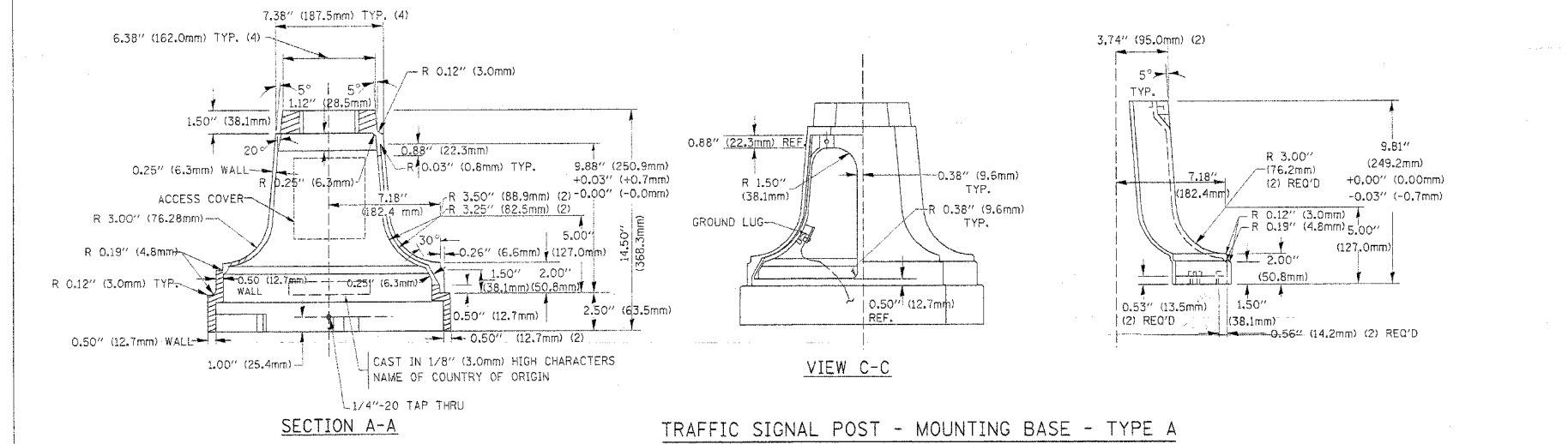


MATERIAL:
 - ASTM A48 CLASS 30 GREY IRON
 - ASTM A123 HOT DIPPED GALVANIZED



TYPE	A	B	C	HEIGHT	WEIGHT
I	Ø 10.125\" (257mm)	9.5\" (241mm)	19\" (483mm)	12\" (300mm)	24kg
II	Ø 11.125\" (283mm)	10.75\" (273mm)	21.5\" (546mm)	12\" (300mm)	26kg



REVISIONS		ILLINOIS DEPARTMENT OF TRANSPORTATION
NAME	DATE	
BUREAU OF TRAFFIC	5/30/00	DISTRICT 1 STANDARD TRAFFIC SIGNAL DESIGN DETAILS
BUREAU OF TRAFFIC	3/15/01	
BUREAU OF TRAFFIC	11/12/01	
BUREAU OF TRAFFIC	1-01-02	

SCALE: VERT. NONE
 HORIZ. DATE 10/18/2002
 DRAWN BY: RWP
 DESIGNED BY: DAD
 CHECKED BY: JAZ
 SHEET 4 OF 4