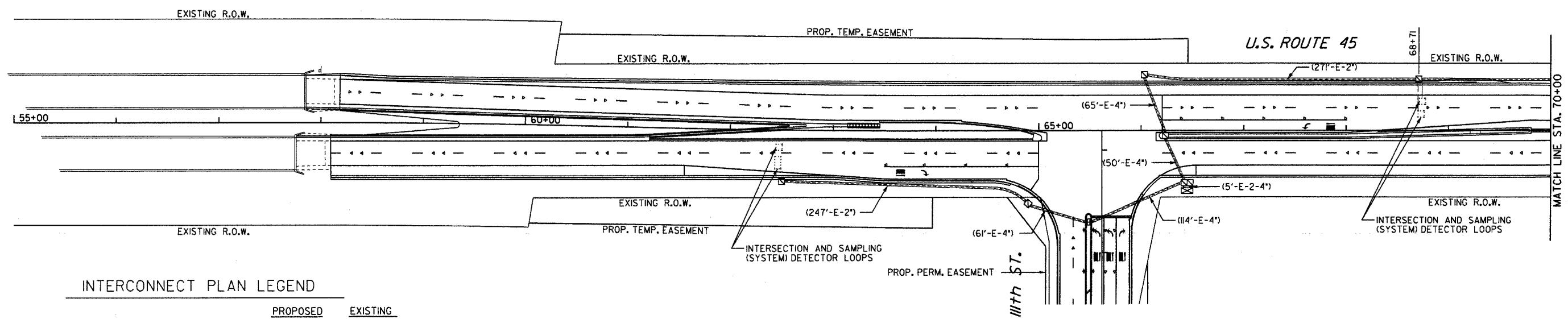
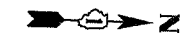
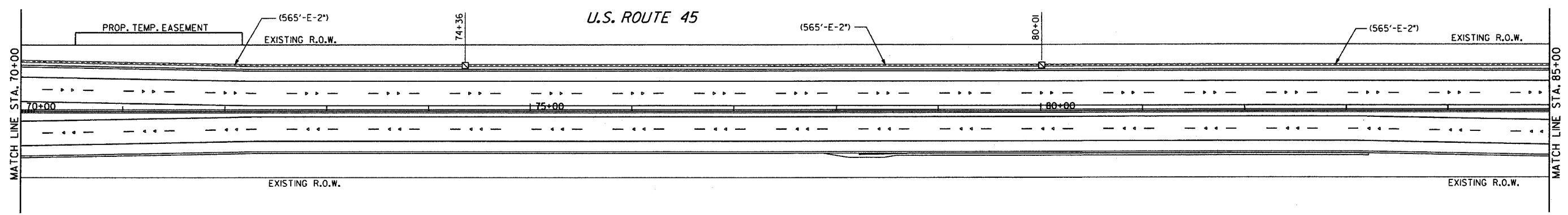


F.A.P. RTE.	SECTION	COUNTY	TOTAL SHEETS	SHEET NO.
029	2001-050-TS	COOK	21	16
STA. 55+00 TO STA. 85+00				
FED. ROAD DIST. NO.	ILLINOIS	FED. AID PROJECT		
CONTRACT # 62201				



INTERCONNECT PLAN LEGEND

	PROPOSED	EXISTING
CONTROLLER		
HANDHOLE		
HEAVY DUTY HANDHOLE		
DOUBLE HANDHOLE		
G.S. CONDUIT IN TRENCH OR PUSHED		
DETECTOR LOOP		
SYSTEM	S	
INTERSECTION	IP	I
UNIT DUCT	UD	
COMMON TRENCH	CT	



REVISIONS	
NAME	DATE

ILLINOIS DEPARTMENT OF TRANSPORTATION	
INTERCONNECT PLAN	
U.S. RTE. 12-20-45 (LAGRANGE ROAD)	
STA. 55+00 TO STA. 85+00	
SHEET 4 OF 8	
SCALE : 1" = 50'	DRAWN BY : PRT
DATE : 01/31/06	DESIGNED BY : RKF
	CHECKED BY : JVV

MORRIS
ENGINEERING, INC.