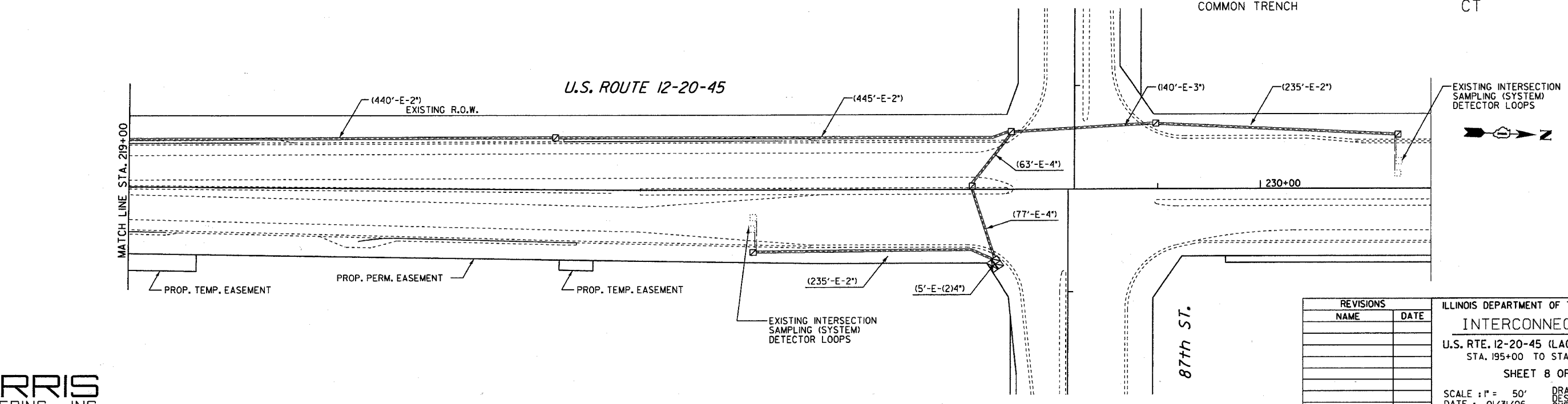
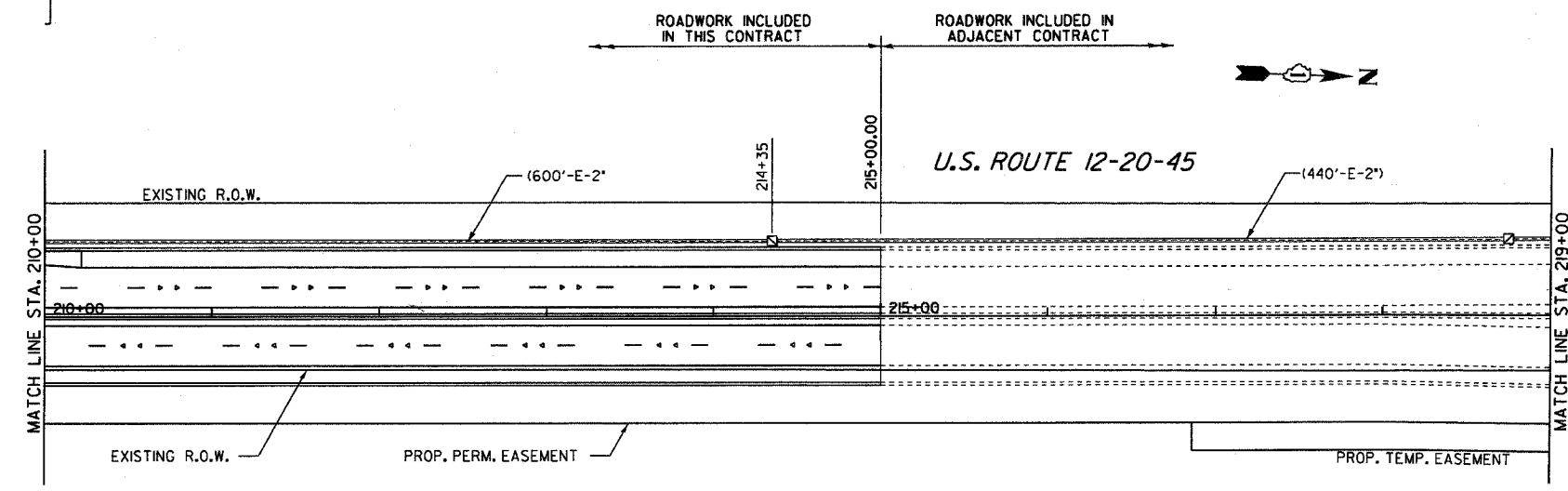
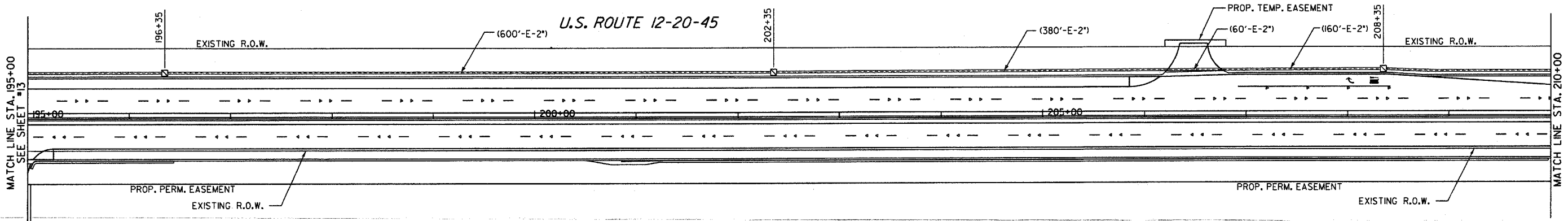


F.A.P. RTE.	SECTION	COUNTY	TOTAL SHEETS	SHEET NO.
029	200I-050-TS	COOK	21	20
STA. 195+00 TO STA. 231+00				
FED. ROAD DIST. NO.	ILLINOIS	FED. AID PROJECT		
CONTRACT # 62201				



INTERCONNECT PLAN LEGEND

	PROPOSED	EXISTING
CONTROLLER		
HANDHOLE		
HEAVY DUTY HANDHOLE		
DOUBLE HANDHOLE		
G.S. CONDUIT IN TRENCH OR PUSHED		
DETECTOR LOOP SYSTEM		
INTERSECTION	IP	I
UNIT DUCT	UD	
COMMON TRENCH	CT	

REVISIONS	
NAME	DATE

ILLINOIS DEPARTMENT OF TRANSPORTATION
INTERCONNECT PLAN
 U.S. RTE. 12-20-45 (LAGRANGE ROAD)
 STA. 195+00 TO STA. 231+00
 SHEET 8 OF 8
 SCALE: 1" = 50'
 DATE: 01/31/06
 DRAWN BY: PRT
 DESIGNED BY: RKF
 CHECKED BY: JVV