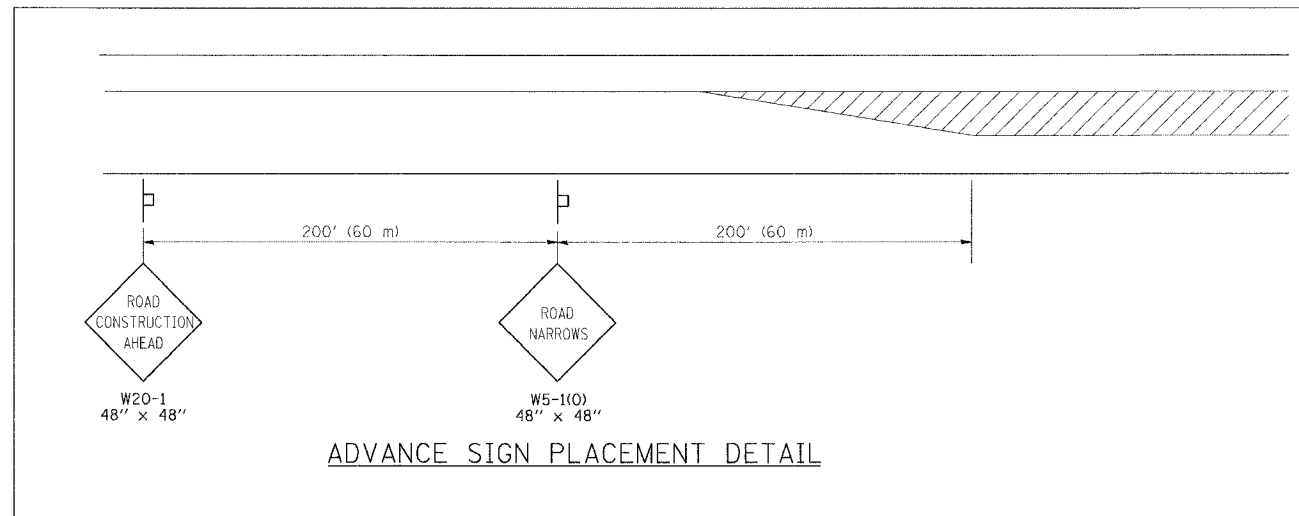
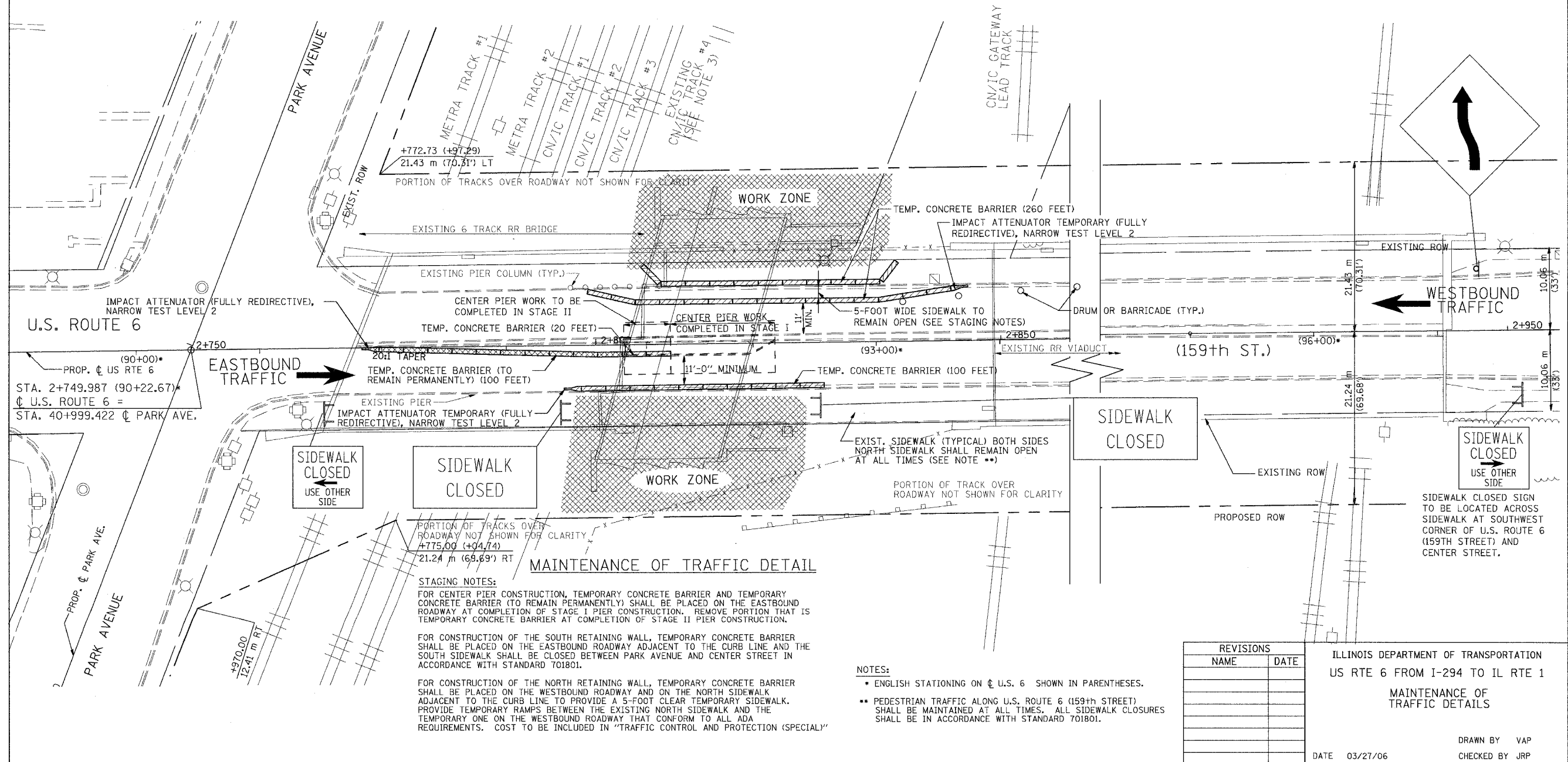
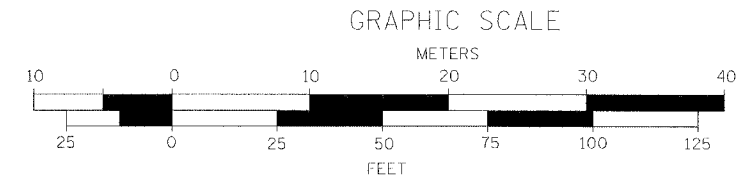


F.A.P. RTE.	SECTION	COUNTY	TOTAL SHEETS	SHEET NO.
351	3277R	COOK	66	10
STA. 2+750		TO STA. 2+900		
FED. ROAD DIST. NO.	ILLINOIS	FED. AID PROJECT		

CONTRACT NO. 62206



ADVANCE SIGN PLACEMENT DETAIL



MAINTENANCE OF TRAFFIC DETAIL

STAGING NOTES:
 FOR CENTER PIER CONSTRUCTION, TEMPORARY CONCRETE BARRIER AND TEMPORARY CONCRETE BARRIER (TO REMAIN PERMANENTLY) SHALL BE PLACED ON THE EASTBOUND ROADWAY AT COMPLETION OF STAGE I PIER CONSTRUCTION. REMOVE PORTION THAT IS TEMPORARY CONCRETE BARRIER AT COMPLETION OF STAGE II PIER CONSTRUCTION.
 FOR CONSTRUCTION OF THE SOUTH RETAINING WALL, TEMPORARY CONCRETE BARRIER SHALL BE PLACED ON THE EASTBOUND ROADWAY ADJACENT TO THE CURB LINE AND THE SOUTH SIDEWALK SHALL BE CLOSED BETWEEN PARK AVENUE AND CENTER STREET IN ACCORDANCE WITH STANDARD 701801.
 FOR CONSTRUCTION OF THE NORTH RETAINING WALL, TEMPORARY CONCRETE BARRIER SHALL BE PLACED ON THE WESTBOUND ROADWAY AND ON THE NORTH SIDEWALK ADJACENT TO THE CURB LINE TO PROVIDE A 5-FOOT CLEAR TEMPORARY SIDEWALK. PROVIDE TEMPORARY RAMPS BETWEEN THE EXISTING NORTH SIDEWALK AND THE TEMPORARY ONE ON THE WESTBOUND ROADWAY THAT CONFORM TO ALL ADA REQUIREMENTS. COST TO BE INCLUDED IN "TRAFFIC CONTROL AND PROTECTION (SPECIAL)"

NOTES:
 • ENGLISH STATIONING ON U.S. 6 SHOWN IN PARENTHESES.
 • PEDESTRIAN TRAFFIC ALONG U.S. ROUTE 6 (159th STREET) SHALL BE MAINTAINED AT ALL TIMES. ALL SIDEWALK CLOSURES SHALL BE IN ACCORDANCE WITH STANDARD 701801.

REVISIONS	
NAME	DATE

ILLINOIS DEPARTMENT OF TRANSPORTATION
 US RTE 6 FROM I-294 TO IL RTE 1
 MAINTENANCE OF TRAFFIC DETAILS
 DRAWN BY VAP
 CHECKED BY JRP
 DATE 03/27/06