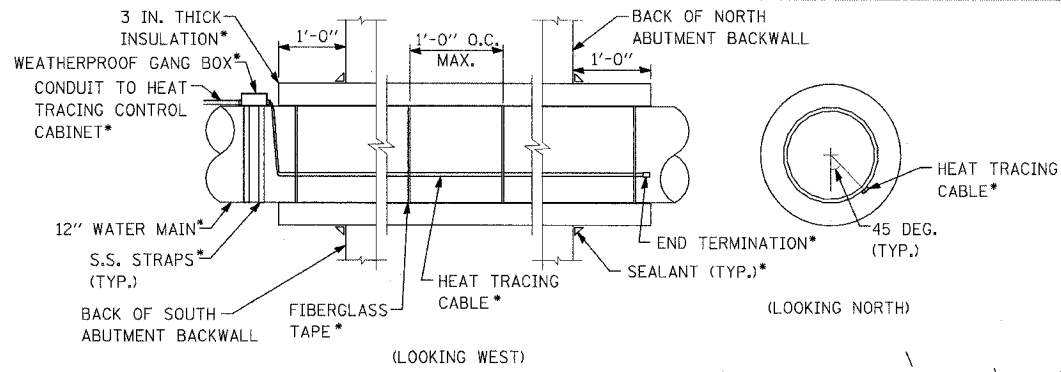
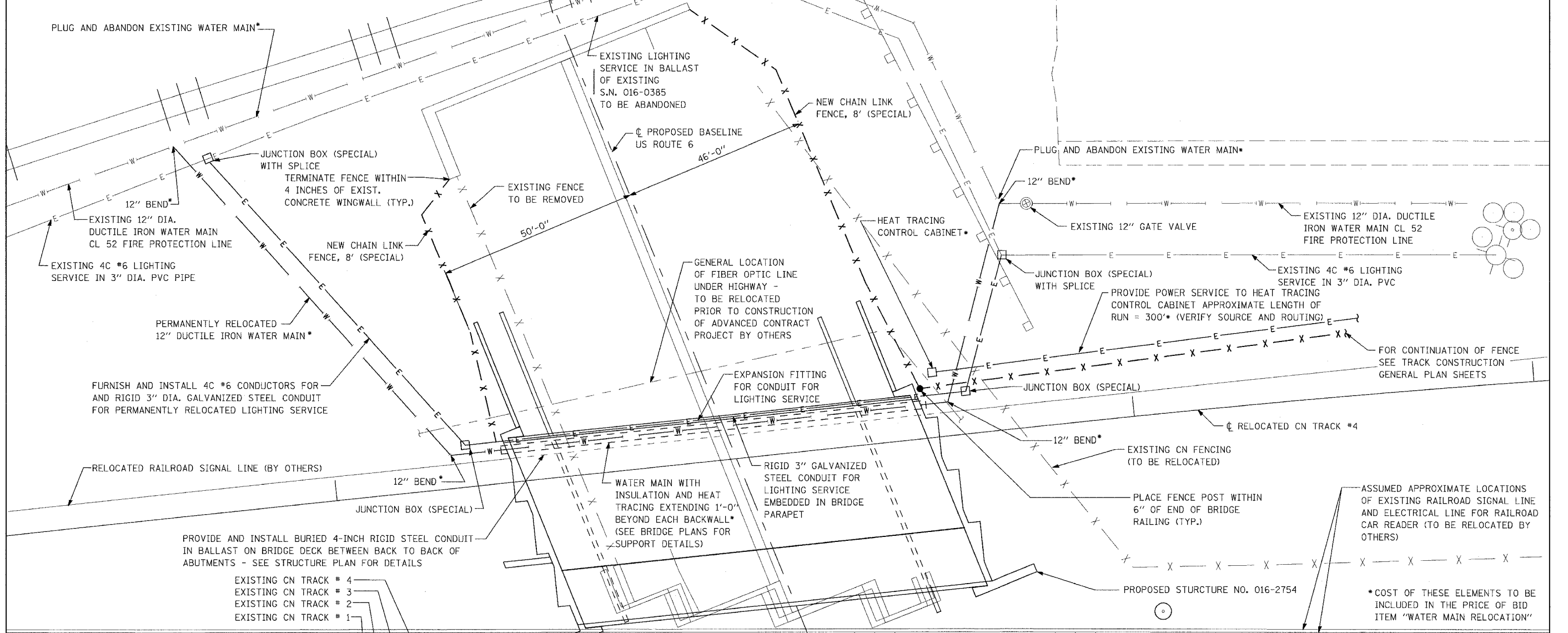


F.A.P. RTE.	SECTION	COUNTY	TOTAL SHEETS	SHEET NO.
351	3277R	COOK	66	13
STA.		TO STA.		
FED. ROAD DIST. NO.		ILLINOIS FED. AID PROJECT		
CONTRACT NO. 62206				



* COST OF THESE ELEMENTS TO BE INCLUDED IN THE PRICE OF BID ITEM "WATER MAIN RELOCATION"

HEAT TRACING SYSTEM DETAILS



REVISIONS	
NAME	DATE

ILLINOIS DEPARTMENT OF TRANSPORTATION
US RTE 6 FROM I-294 TO IL RTE 1
RAILROAD UTILITY
RELOCATION PLAN
DATE 02/27/06
DRAWN BY MAD
CHECKED BY DEY