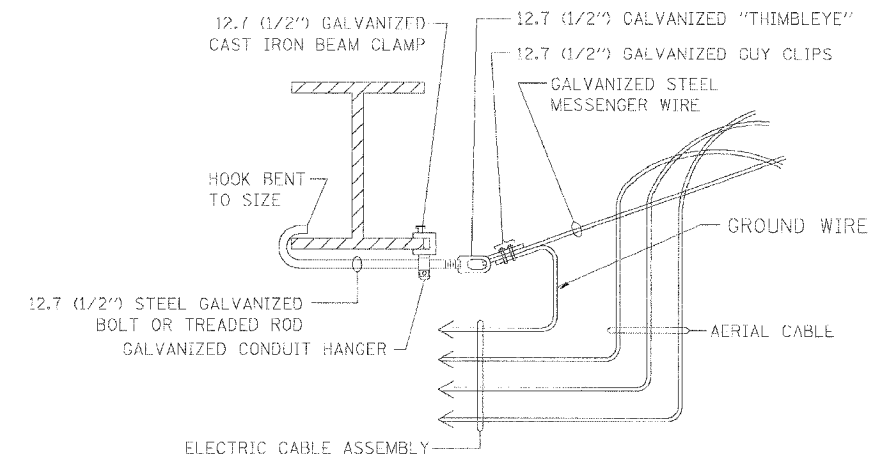
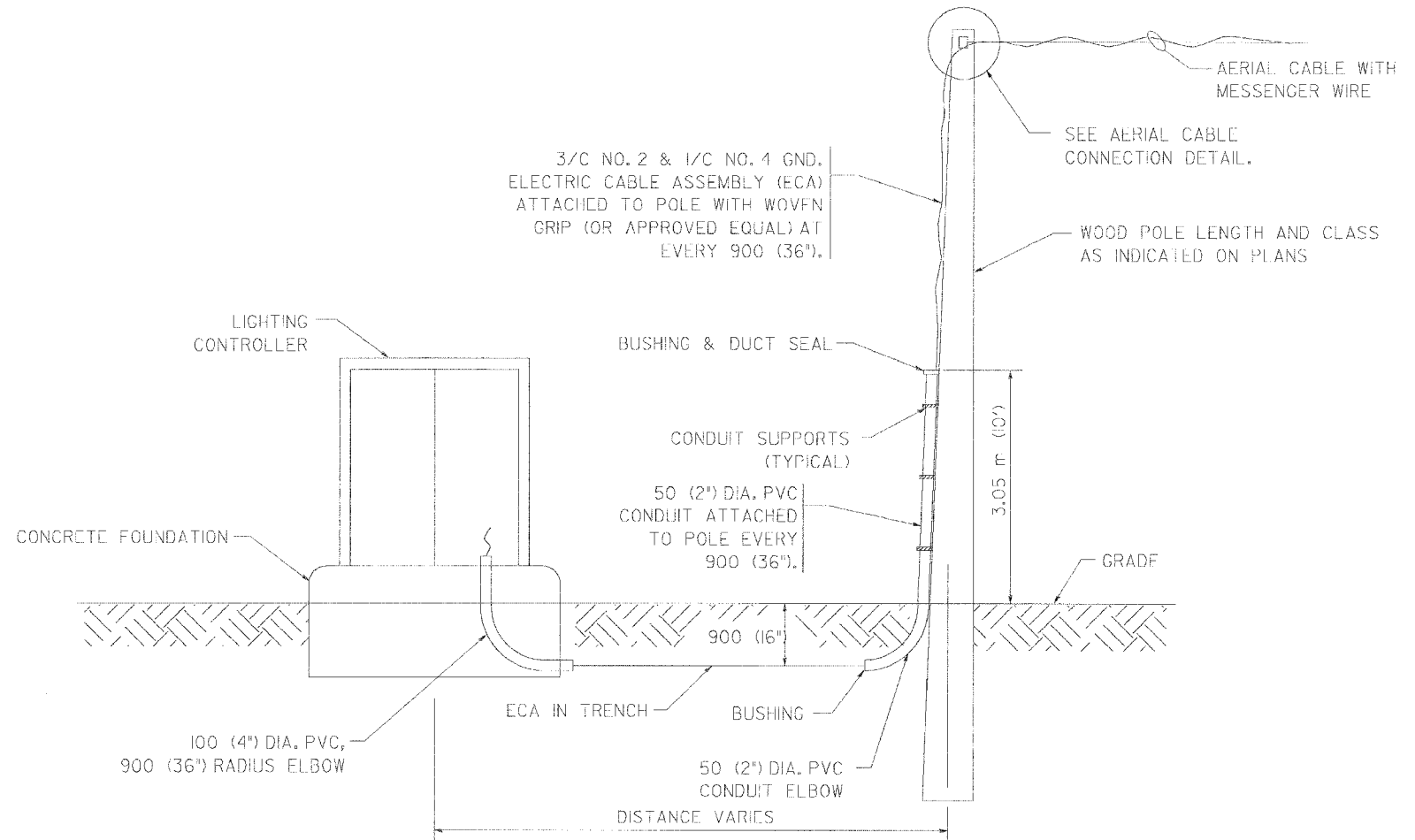


AERIAL CABLE CONNECTION DETAIL
N.T.S.



AERIAL CABLE ATTACHED TO STRUCTURE
NOT TO SCALE

- NOTES:**
1. ALL DIMENSIONS IN MILLIMETERS (INCHES) UNLESS OTHERWISE INDICATED.
 2. SEE PROPOSED LIGHTING PLAN FOR CONDUIT, CABLE AND ROUTING.
 3. THE CONTRACTOR SHALL PROVIDE INTERMEDIATE SUPPORTS TO MAINTAIN MINIMUM CLEARANCES. REFER TO AERIAL AERIAL CABLE ATTACHED TO STRUCTURE DETAIL.
 4. COST OF SPLICES AND MOUNTING HARDWARE SHALL BE INCLUDED IN THE UNIT PRICE FOR AERIAL CABLE.



WOOD POLE TO LIGHTING CONTROLLER WIRING CONNECTION DETAIL
N.T.S.

| REVISIONS | | ILLINOIS DEPARTMENT OF TRANSPORTATION |
|-----------|------|---|
| NAME | DATE | |
| | | <p align="center">TEMPORARY AERIAL CABLE INSTALLATION</p> <p>SCALE: <i>NONE</i> DRAWN BY</p> <p>DATE 03/27/06 CHECKED BY</p> |
| | | |
| | | |
| | | |
| | | |
| | | |
| | | |
| | | |
| | | |
| | | |