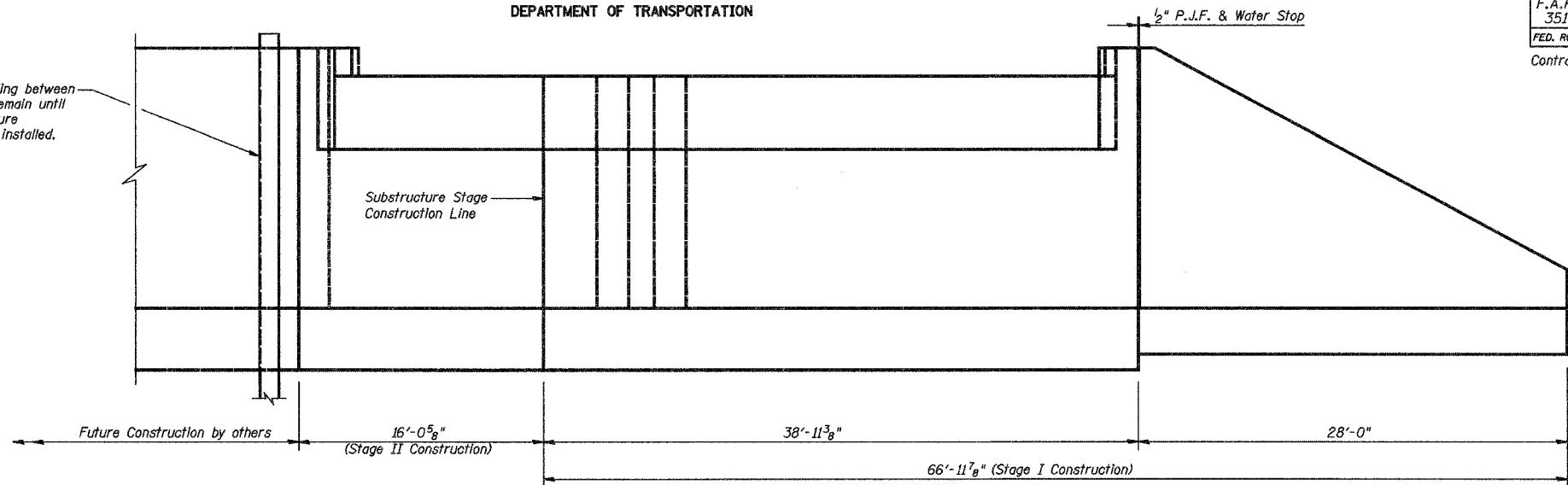


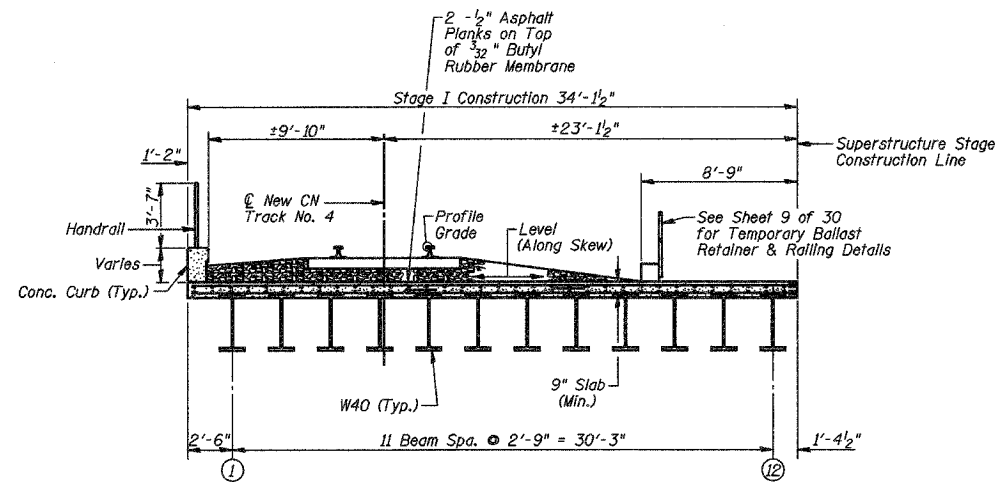
STATE OF ILLINOIS
DEPARTMENT OF TRANSPORTATION

ROUTE NO.	SECTION	COUNTY	TOTAL SHEETS	SHEET NO.
F.A.P. 351	3277R	COOK	66	21
FED. ROAD DIST. NO. 7		ILLINOIS	FED. AID PROJECT-	
Contract No. 62206				

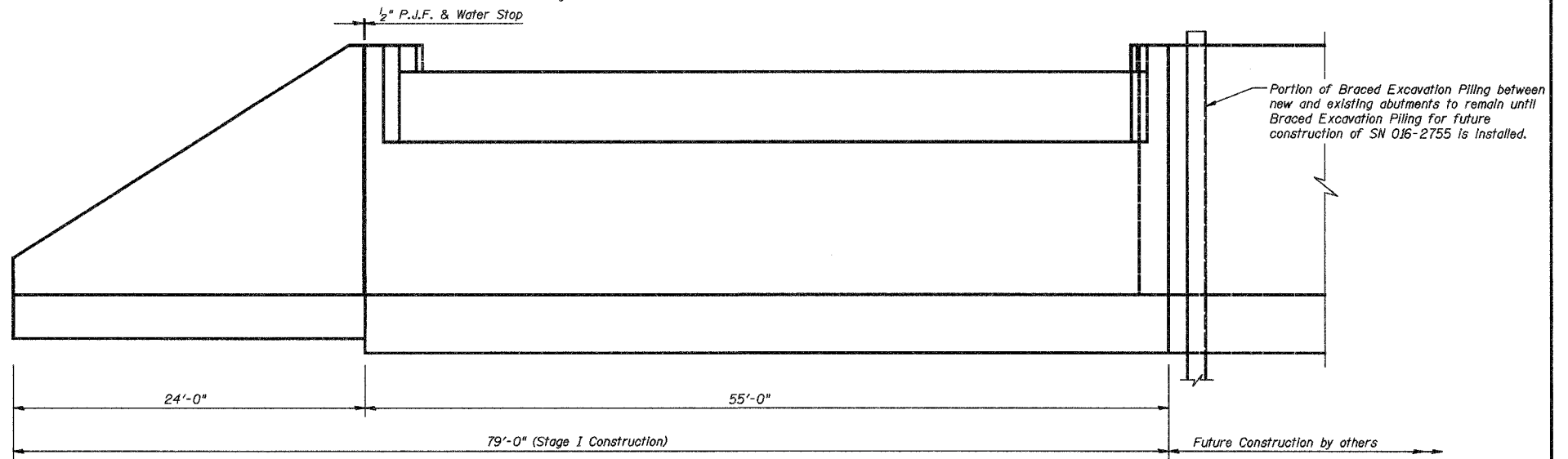
Portion of Braced Excavation Piling between new and existing abutments to remain until Braced Excavation Piling for future construction of SN 016-2755 is installed.



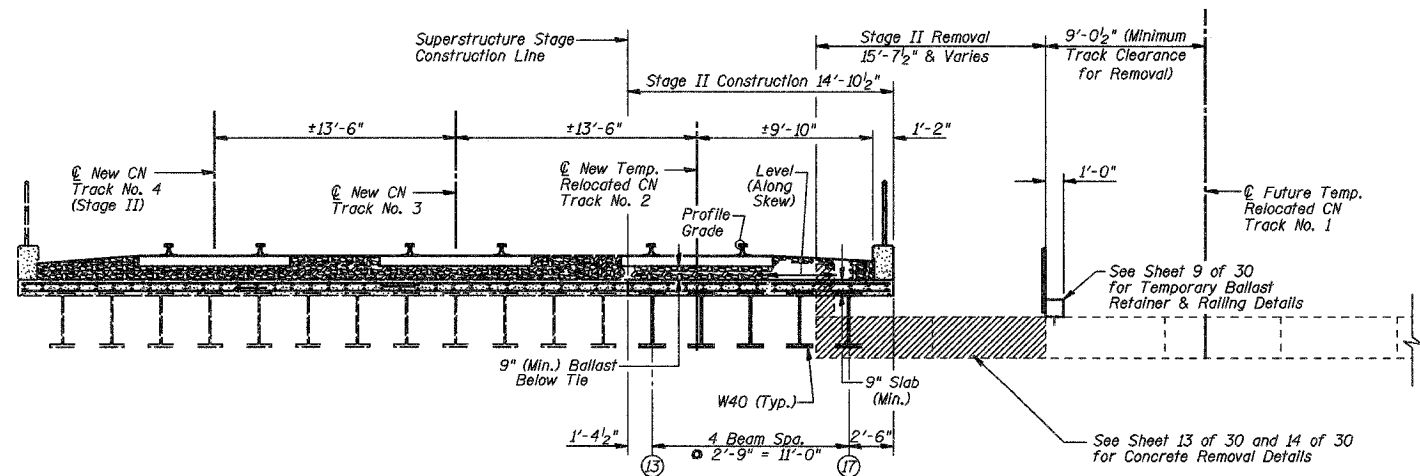
ELEVATION - NORTH ABUTMENT
(Looking North)



CROSS SECTION STAGE I
(Looking South)



ELEVATION - SOUTH ABUTMENT
(Looking South)



CROSS SECTION STAGE II
(Looking South)

STAGE CONSTRUCTION SEQUENCE

Date 3/27/06	Designed TDN	CN RAILROAD BRIDGE OVER U.S. 6 (159TH STREET) F.A.P. RTE. 351 SECTION 3277R COOK COUNTY STATION 92+24.25 STRUCTURE NO. 016-2754	Sheet No.
Revisions	Drawn BKN		3
	Checked DCS		of 30
	Approved KWB		
Prepared By:	3040 N. University Ave., Suite 1 Decatur, IL.		URS Job No. 36430825