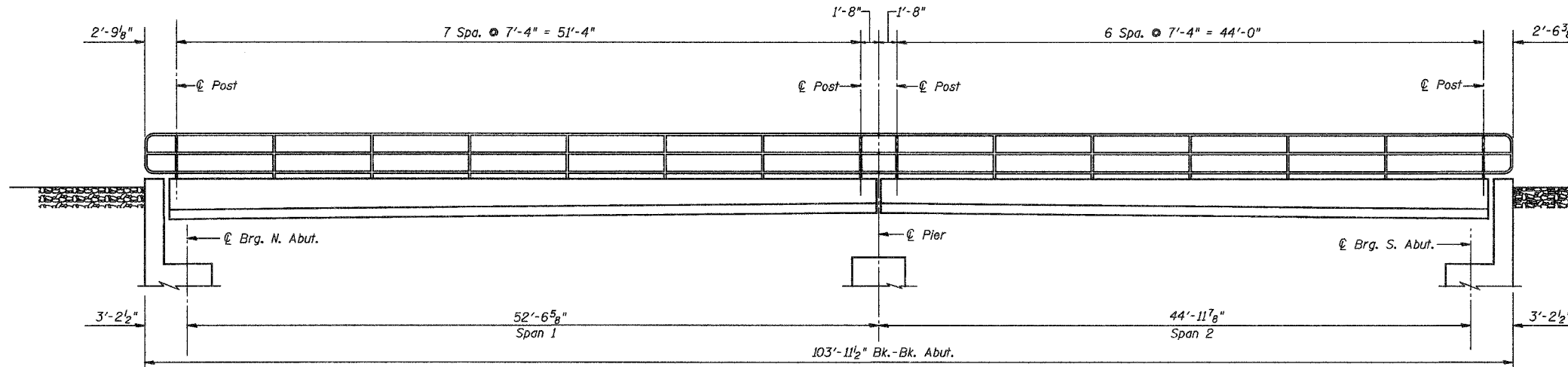
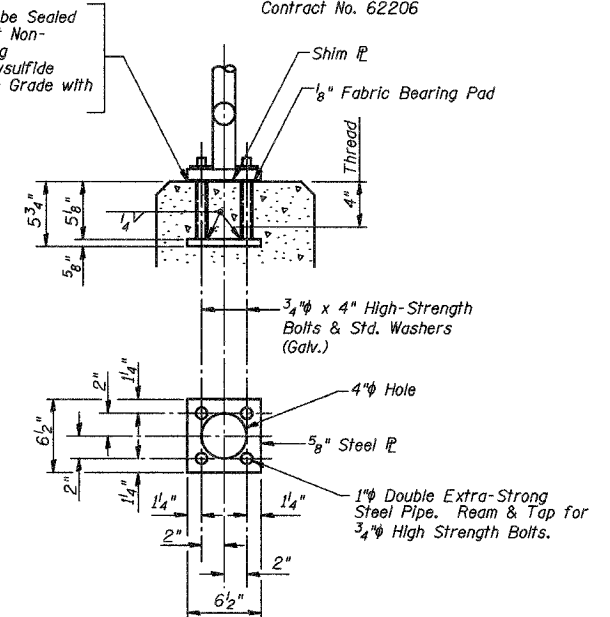


ROUTE NO.	SECTION	COUNTY	TOTAL SHEETS	SHEET NO.
F.A.P. 351	3277R	COOK	66	27
FED. ROAD DIST. NO. 7 ILLINOIS		FED. AID PROJECT-		

Contract No. 62206



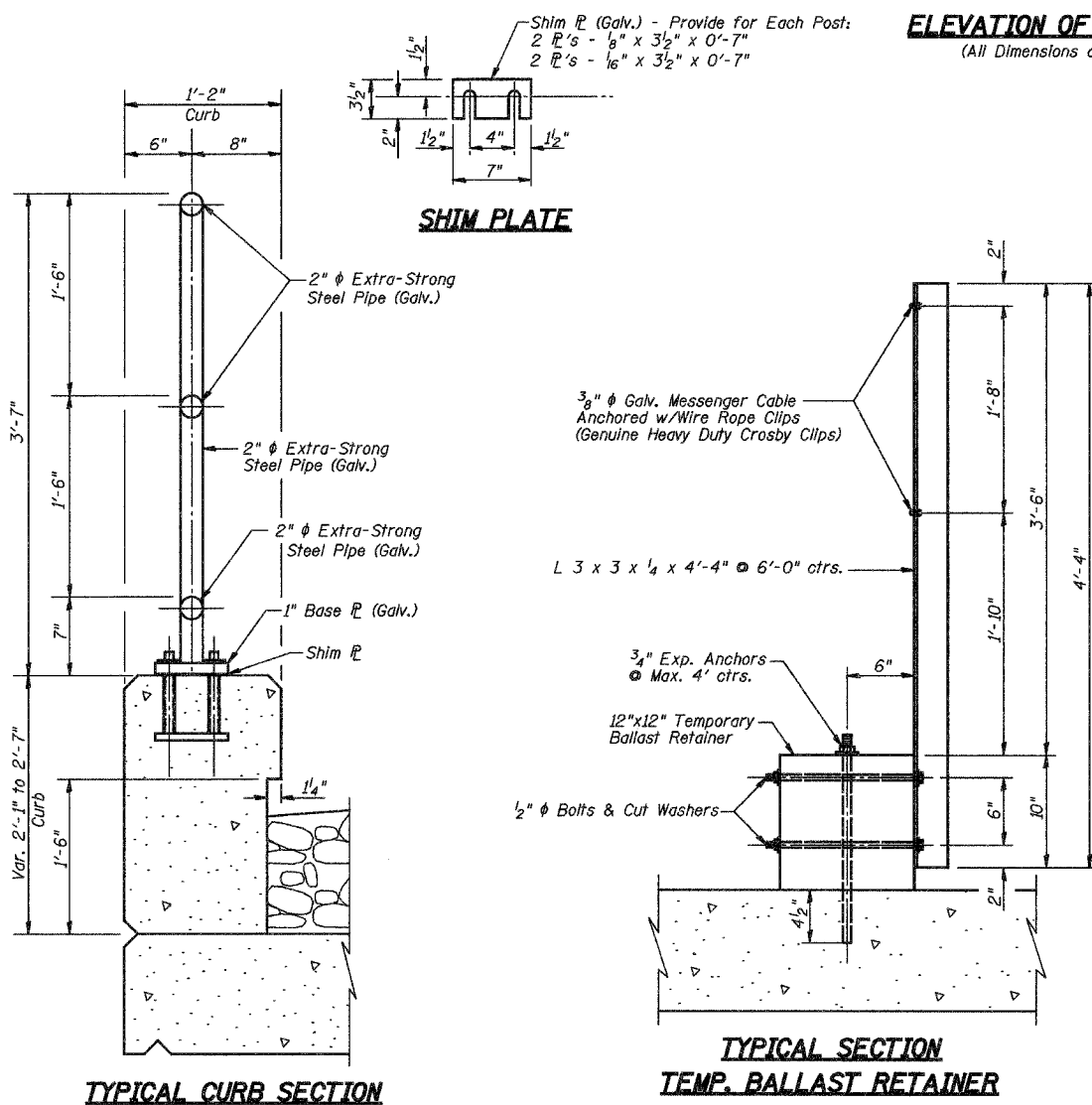
Base of Post Shall be Sealed with Two Component Non-Staining Gray Sealing Compounds with Polysulfide Liquid Polymers-Gun Grade with Primer.



ANCHOR DEVICE

ELEVATION OF HANDRAIL ALONG BRIDGE

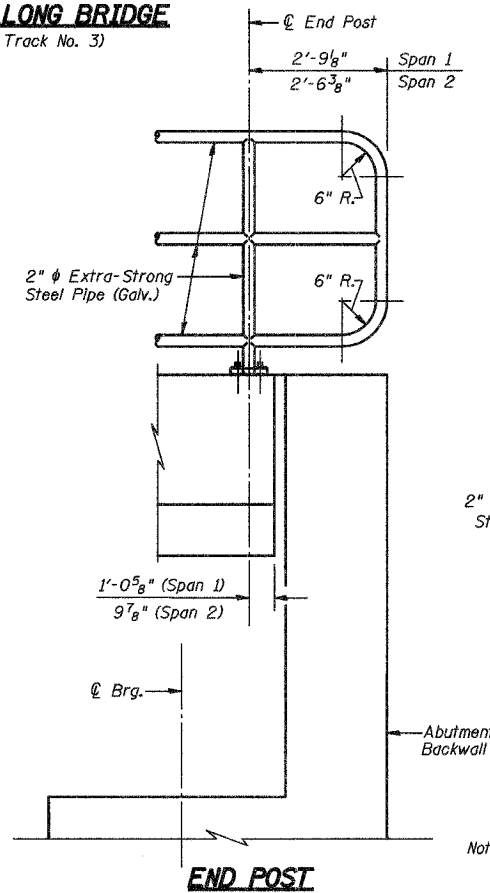
(All Dimensions are Along C. New CN Track No. 3)
(E. Side Shown)



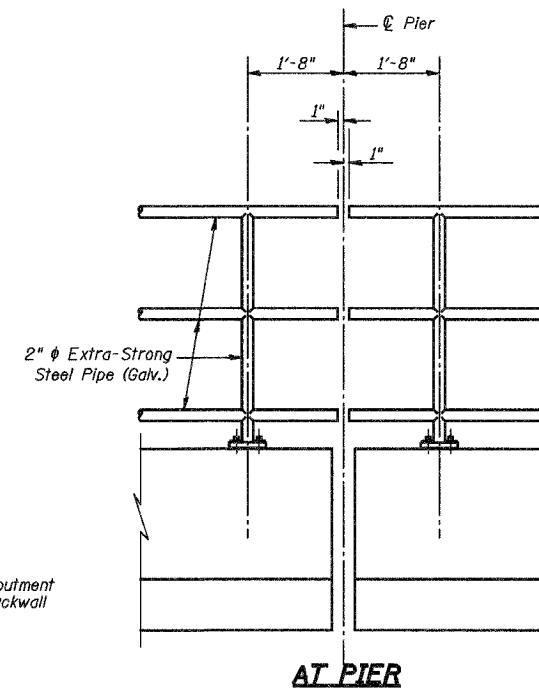
SHIM PLATE

TYPICAL SECTION TEMP. BALLAST RETAINER

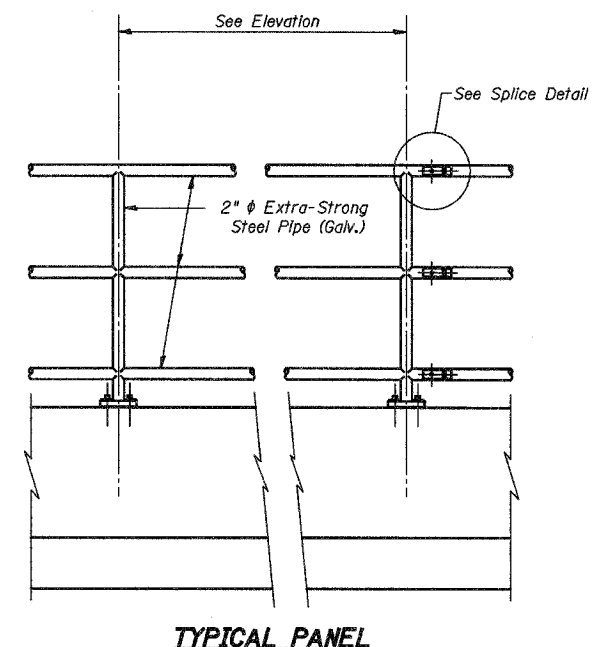
TYPICAL CURB SECTION



END POST



AT PIER



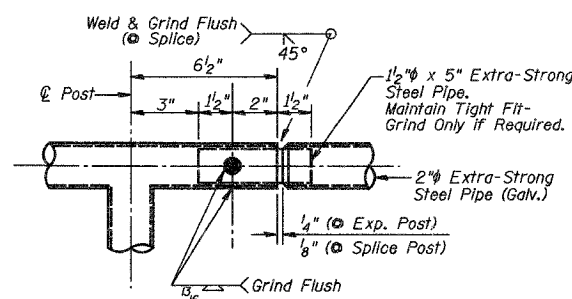
TYPICAL PANEL

Note:

The Temporary Ballast Retainer & Safety Railing is to be removed at the completion of Stage II work.

All bolts, nuts & washers shall be galvanized according to AASHTO M 232

All post, pipe, pipe splices and base and shim plates shall be galvanized after shop fabrication according to AASHTO M 111 and ASTM A 385. Galvanized pipe shall not be painted.



SPLICE DETAIL

BILL OF MATERIAL

Item	Unit	Quantity
Pipe Handrail, Special	Foot	208
Temporary Ballast Retainer (Installed and Removed)	Foot	104

HANDRAIL DETAILS

Date 3/27/06	Designed TDN	CN RAILROAD BRIDGE OVER U.S. 6 (159TH STREET) F.A.P. RTE. 351 SECTION 3277R COOK COUNTY STATION 92+24.25 STRUCTURE NO. 016-2754	Sheet No.
Revisions	Drawn BKN		9
	Checked DCS		of 30
	Approved KWB		URS Job No. 36430825
Prepared By:	3040 N. University Ave., Suite 1 Decatur, IL.		