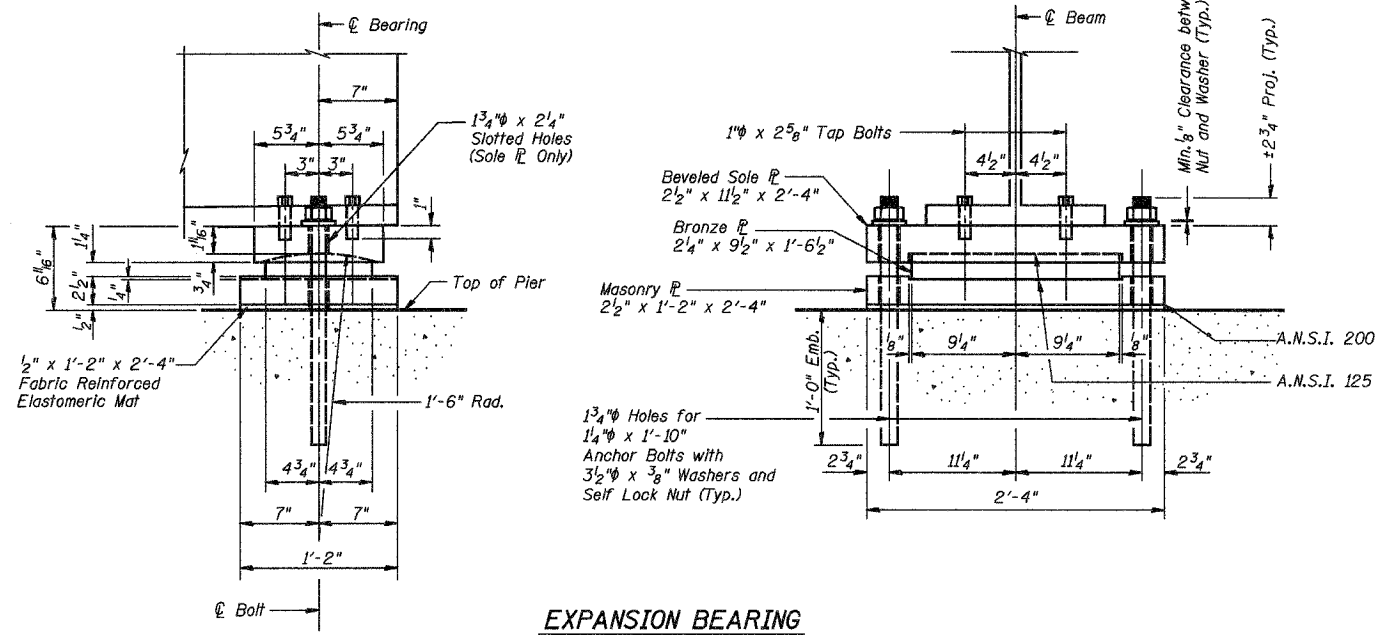


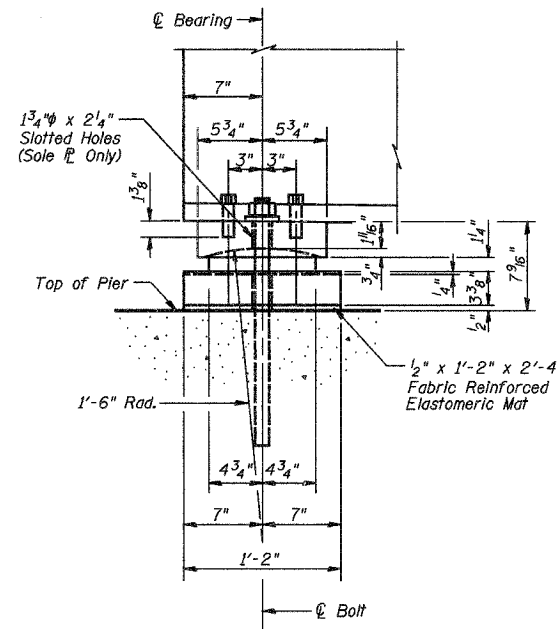
STATE OF ILLINOIS
DEPARTMENT OF TRANSPORTATION

ROUTE NO.	SECTION	COUNTY	TOTAL SHEETS	SHEET NO.
F.A.P. 351	3277R	COOK	66	30
FED. ROAD DIST. NO. 7		ILLINOIS	FED. AID PROJECT-	

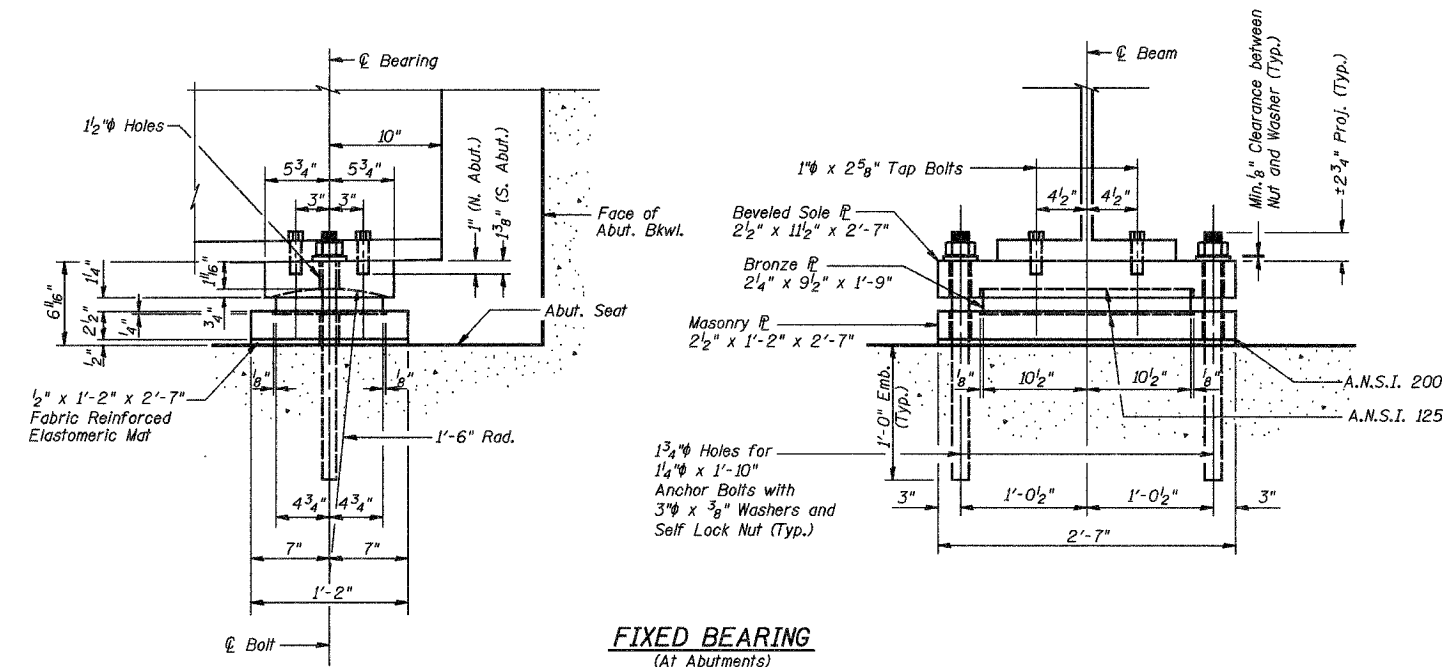
Contract No. 62206



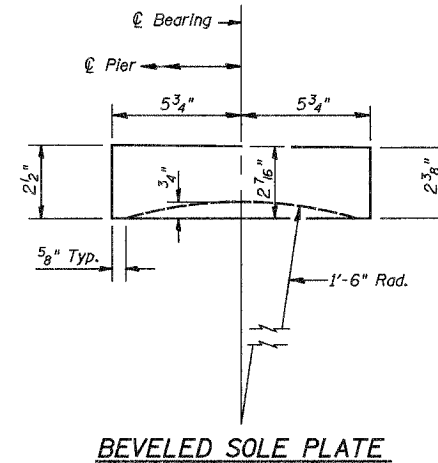
EXPANSION BEARING
(At Pier - Span 1)



EXPANSION BEARING
(At Pier - Span 2)



FIXED BEARING
(At Abutments)



BEVELED SOLE PLATE

BEARING NOTES

All material for Sole Plates and Masonry Plates shall conform to A.S.T.M. specification A36 Steel.

Bronze Bearing and Expansion Plates shall conform to A.S.T.M. B22, Alloy C91300 or C91100. Solid lubricant shall be in accordance with A.R.E.M.A. Chapter 19, Section 1.4.2.3. Cost included in Furnishing and Erecting Structural Steel.

All Structural Steel Bearing Plates shall be Flat Rolled Steel Plates with all surfaces smooth and free from warp and all edges smooth, straight and verticle.

All Plate cuts shall be Machine or Machine Flame Cuts.

Anchor Bolts shall be high-strength carbon steel conforming to the requirements of ASTM A193, Grade B7 and zinc plated (ASTM B633). Nuts shall meet the requirements of ASTM A563, Grade DH and washers shall meet the requirements of ASTM F436.

See Special Provisions for Fabric Reinforced Elastomeric Mat. Cost Included in Concrete Structures.

Holes in the masonry for anchor bolts shall be drilled through the base plates to the diameter and depth shown or according to the manufacturer's recommendation after beams or girders have been erected and adjusted.

Prior to setting the bolts, the holes shall be dry and all dust and loose particles shall be removed by the use of compressed air or vacuuming. Anchors shall not be disturbed until cure time has elapsed.

The anchor bolts, furnished and installed and including the epoxy grout or capsules shall not be paid for separately but shall be included in the unit bid price for Furnishing and Erecting Structural Steel.

BEARING DETAILS

Date 3/27/06	Designed TDN	CN RAILROAD BRIDGE OVER U.S. 6 (159TH STREET) F.A.P. RTE. 351 SECTION 3277R COOK COUNTY STATION 92+24.25 STRUCTURE NO. 016-2754	Sheet No.
Revisions	Drawn BKN		12
	Checked DCS		of 30
	Approved KWB		
Prepared By:	3040 N. University Ave., Suite 1 Decatur, IL.		URS Job No. 36430825