


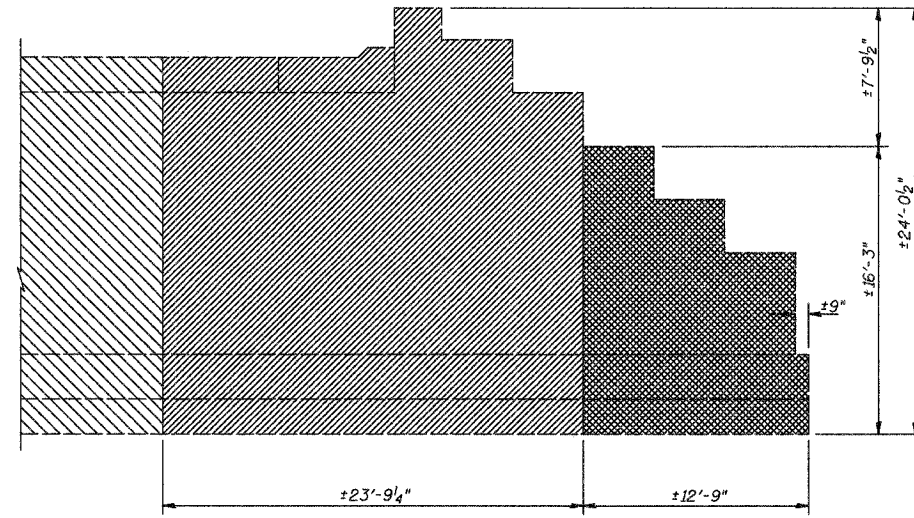


STATE OF ILLINOIS  
DEPARTMENT OF TRANSPORTATION

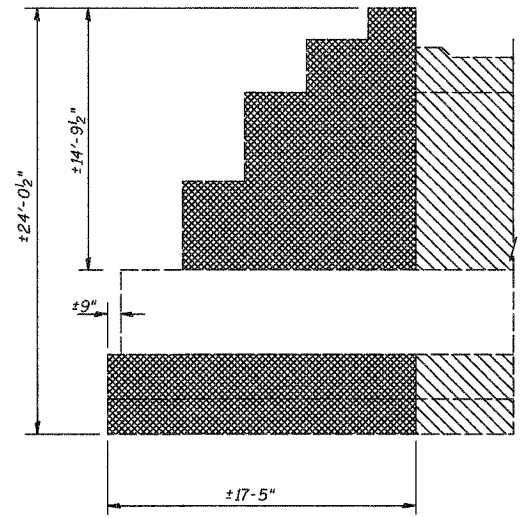
ROUTE NO.	SECTION	COUNTY	TOTAL SHEETS	SHEET NO.
F.A.P. 351	3277R	COOK	66	31
FED. ROAD DIST. NO. 7 ILLINOIS		FED. AID PROJECT-		
Contract No. 62206				

**LEGEND**

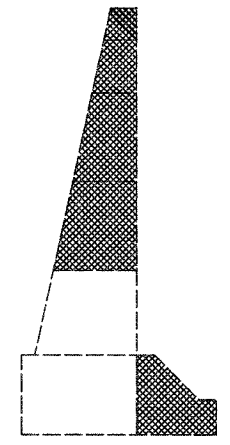
-  Stage I Removal
-  Stage II Removal
-  Future Removal (By Others)



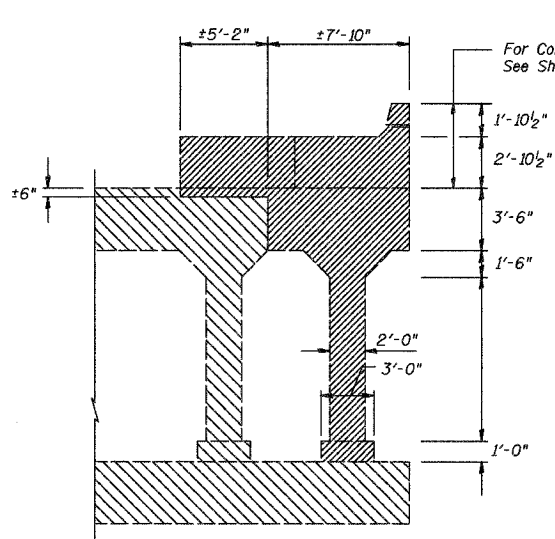
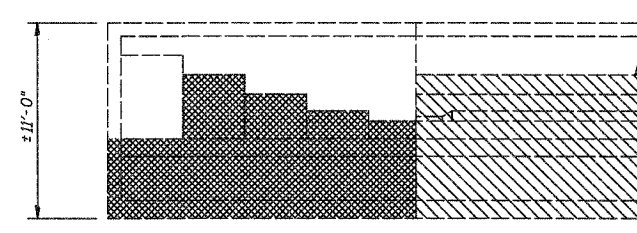
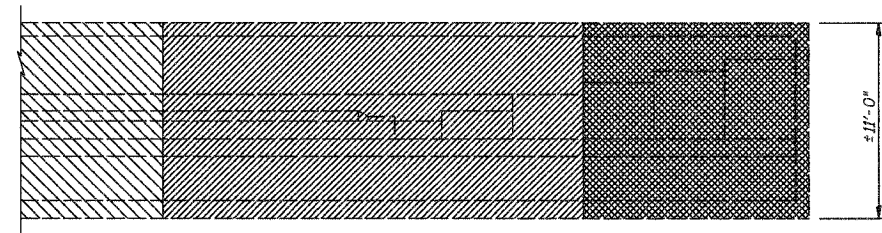
**ELEVATION - NORTH ABUTMENT**  
(Looking North)



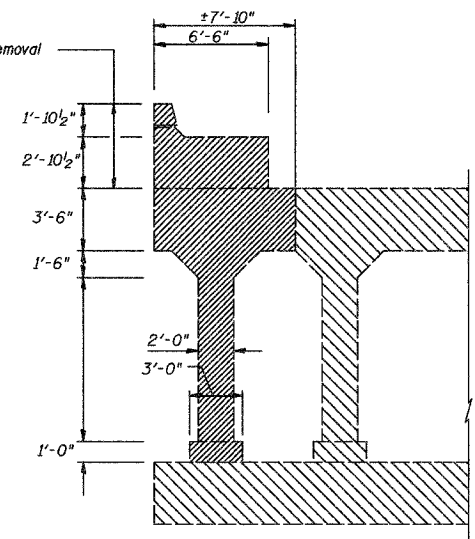
**ELEVATION - SOUTH ABUTMENT**  
(Looking South)



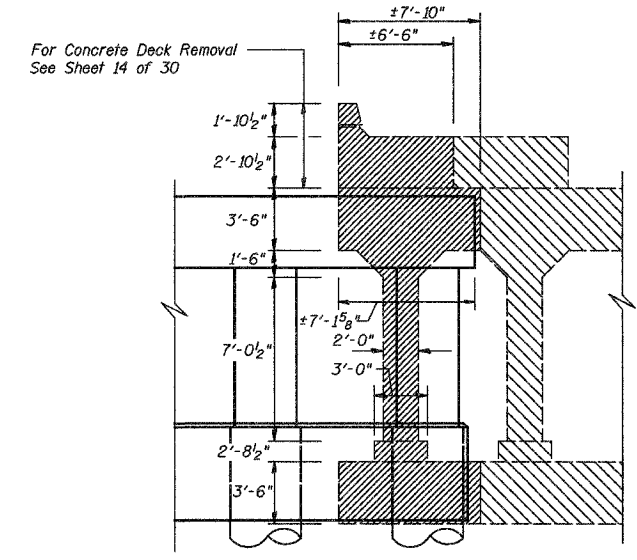
**END VIEW - SOUTH ABUTMENT**  
(Looking West)



**CONCRETE REMOVAL - NORTH PIER**  
(Looking North)



**CONCRETE REMOVAL - SOUTH PIER**  
(Looking South)



**CONCRETE REMOVAL - CENTER PIER**  
(Looking South)

**BILL OF MATERIAL**

Item	Unit	Quantity
Concrete Removal	Cu. Yd.	182.0

Note:  
Stage I and II Concrete Removal are included in this Contract.  
Future Concrete Removal shall be completed by others in a later Contract.  
See Typical Sections sheet of roadway plans for Commonwealth Edison duct bank facility under north sidewalk immediately adjacent to location of proposed north abutment and sidewalk retaining wall.

**CONCRETE REMOVAL DETAILS**

Date 3/27/06	Designed TDN	CN RAILROAD BRIDGE OVER U.S. 6 (159TH STREET) F.A.P. RTE. 351 SECTION 3277R COOK COUNTY STATION 92+24.25 STRUCTURE NO. 016-2754	Sheet No.
Revisions	Drawn BKN		<b>13</b>
	Checked DCS		of 30
	Approved KWB		
Prepared By:	3040 N. University Ave., Suite 1 Decatur, IL.		URS Job No. 36430825