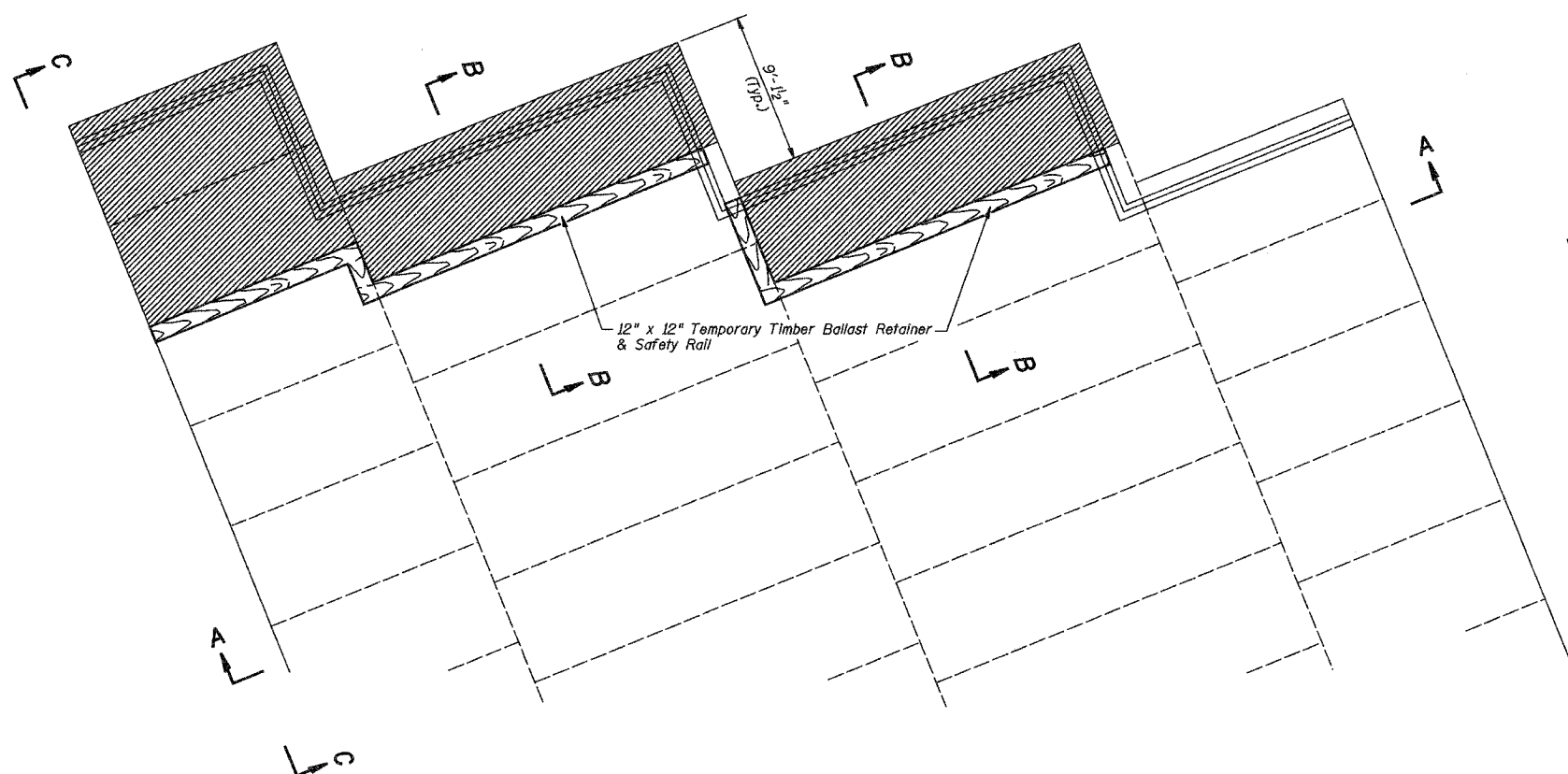
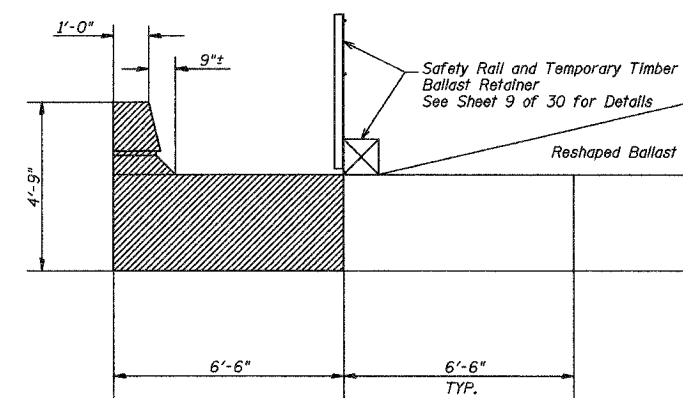


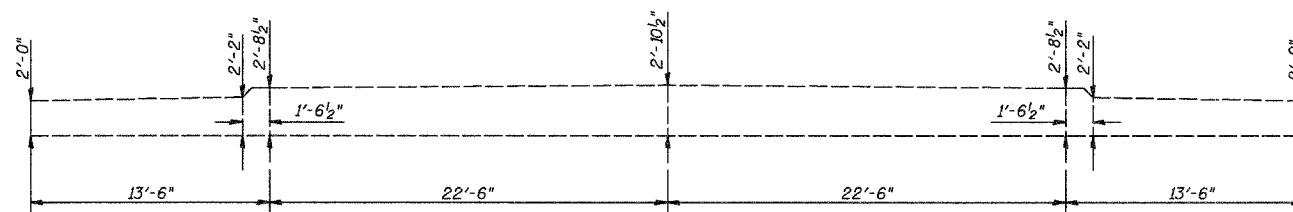
ROUTE NO.	SECTION	COUNTY	TOTAL SHEETS	SHEET NO.
F.A.P. 351	3277R	COOK	66	32
FED. ROAD DIST. NO. 7		ILLINOIS	FED. AID PROJECT-	
Contract No. 62206				



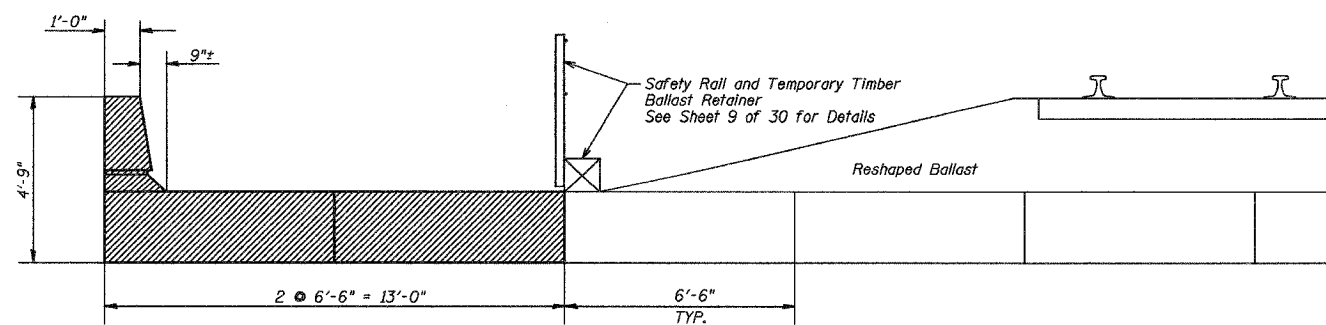
**LEGEND**



**SECTION B-B**



**SECTION A-A**



**SECTION C-C**

**Note:**

The Temporary Ballast Retainer & Safety Railing are to remain in place upon completion of the work.

**BILL OF MATERIAL**

Item	Unit	Quantity
Temporary Ballast Retainer (Installed)	Foot	66
Concrete Deck Removal	Sq. Ft.	468

**CONCRETE DECK REMOVAL DETAILS**

Date 3/27/06	Designed TDN	CN RAILROAD BRIDGE OVER U.S. 6 (159TH STREET) F.A.P. RTE. 351 SECTION 3277R COOK COUNTY STATION 92+24.25 STRUCTURE NO. 016-2754	Sheet No.
Revisions	Drawn BKN		14
	Checked DCS		of 30
	Approved KWB		
Prepared By:	3040 N. University Ave., Suite 1 Decatur, IL.		URS Job No. 36430825