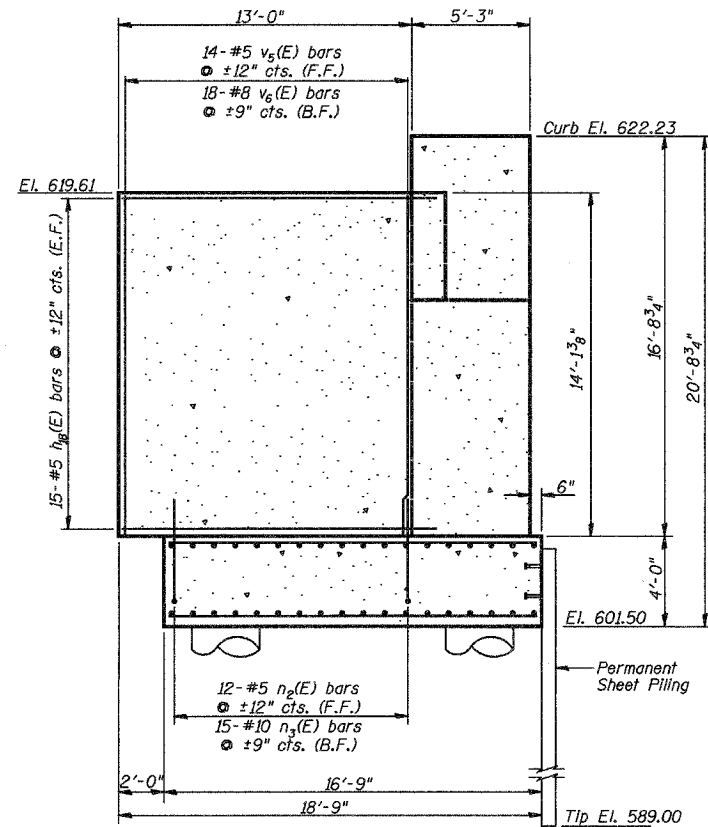
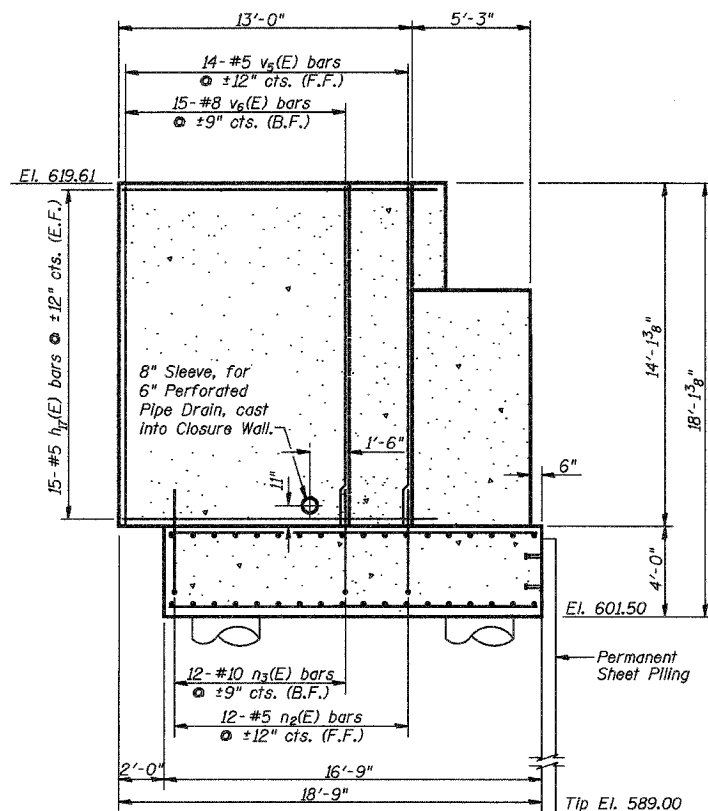


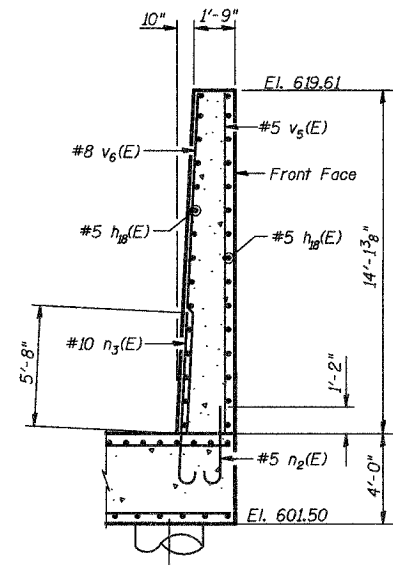
ROUTE NO.	SECTION	COUNTY	TOTAL SHEETS	SHEET NO.
F.A.P. 351	3277R	COOK	66	35
FED. ROAD DIST. NO. 7		ILLINOIS	FED. AID PROJECT-	
Contract No. 62206				



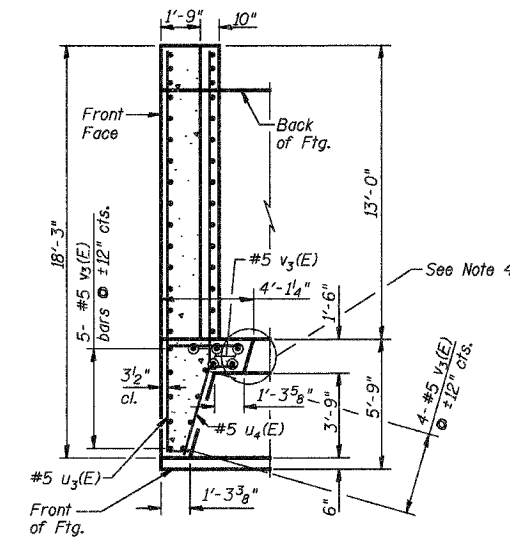
WEST CLOSURE WALL ELEVATION  
(Looking East - Perpendicular to Abut.)



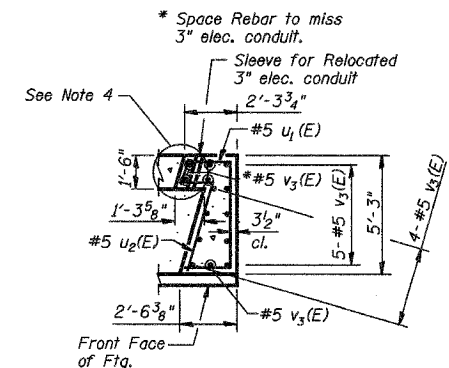
CENTER CLOSURE WALL ELEVATION  
(Looking East - Perpendicular to Abut.)



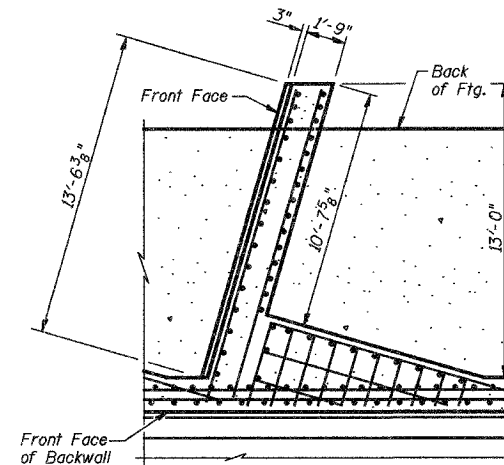
WEST CLOSURE WALL END VIEW  
(Looking South)



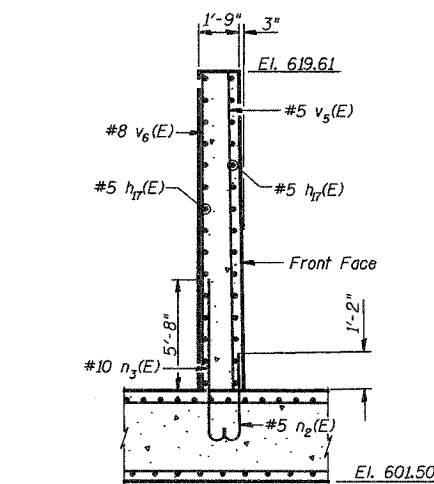
SECTION C-C



SECTION E-E



SECTION D-D



CENTER CLOSURE WALL END VIEW  
(Looking South)

Notes:

1. Bars designated (E) shall be epoxy coated.
2. Space Reinforcement in Center Closure Wall to miss 8" Sleeve.
3. Cost of 8" sleeve and sleeve for relocated 3" electrical conduit are included with Concrete Structures.
4. See sheet 28 of 30 for 6" Perforated Pipe Drain Details.
5. Provide a 1<sup>1</sup>/<sub>4</sub>" x 1'-6" Blockout in Curb for 3<sup>1</sup>/<sub>2</sub>" Butyl Rubber Membrane and 2'-<sup>1</sup>/<sub>2</sub>" Asphalt Planks. See Sheet 7 of 30 for typical Blockout in Curb & Sheet 8 of 30 for Membrane Waterproofing details at Joints.

NORTH ABUTMENT

Date 3/27/06	Designed TDN
Revisions	Drawn BKN
	Checked DCS
	Approved KWB

CN RAILROAD BRIDGE  
OVER U.S. 6 (159TH STREET)  
F.A.P. RTE. 351 SECTION 3277R  
COOK COUNTY  
STATION 92+24.25  
STRUCTURE NO. 016-2754

Sheet No.

17

of 30

Prepared By: 3040 N. University Ave., Suite 1  
Deatur, IL.

URS Job No.  
36430825