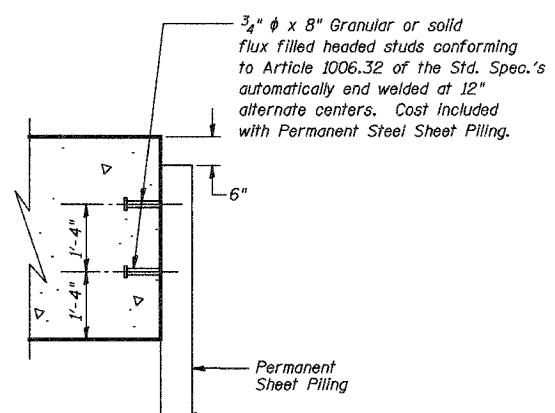
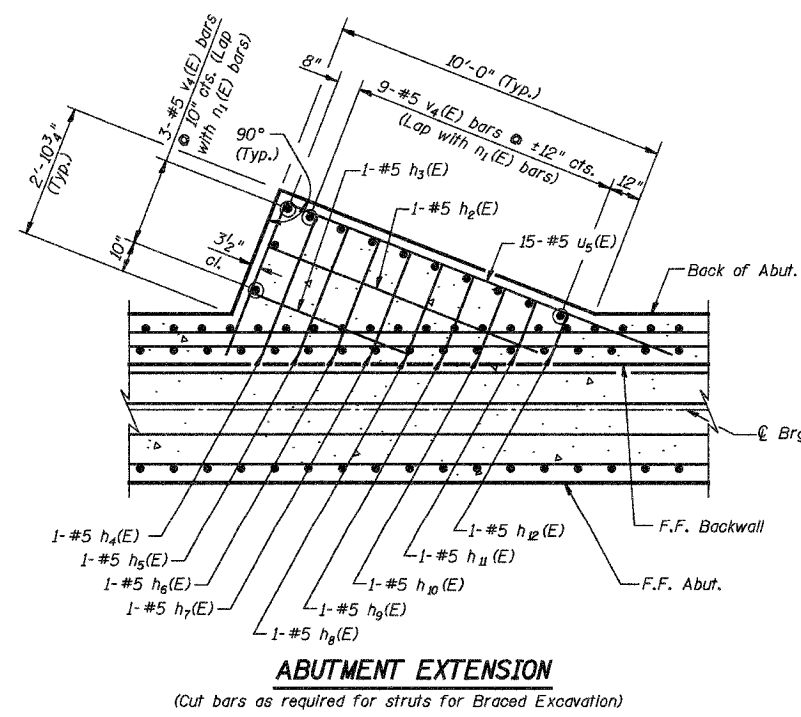
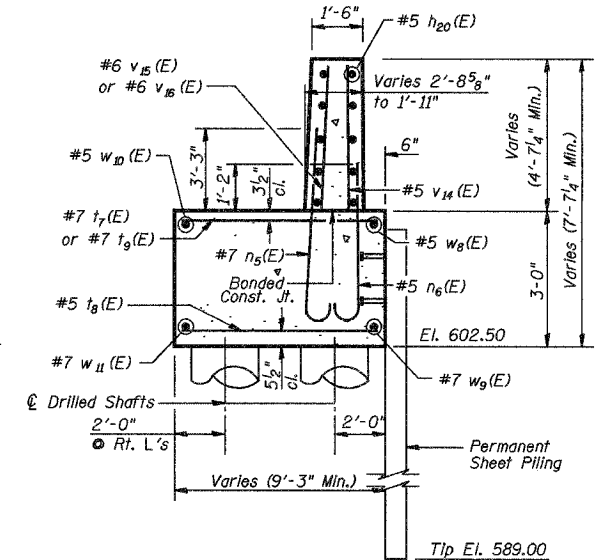
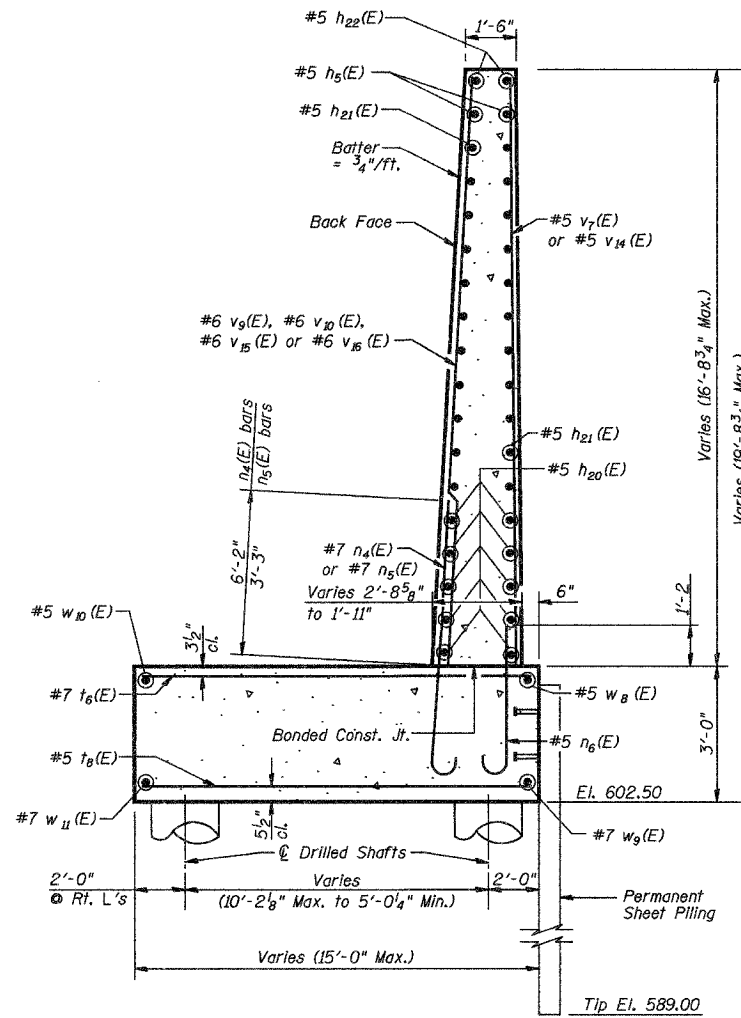
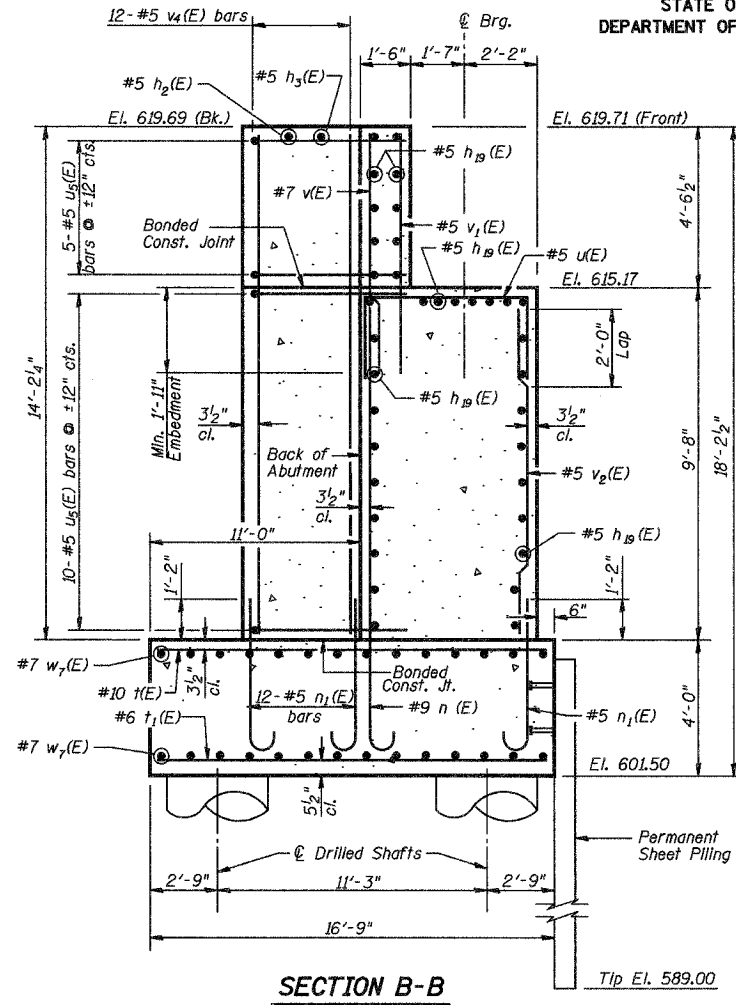
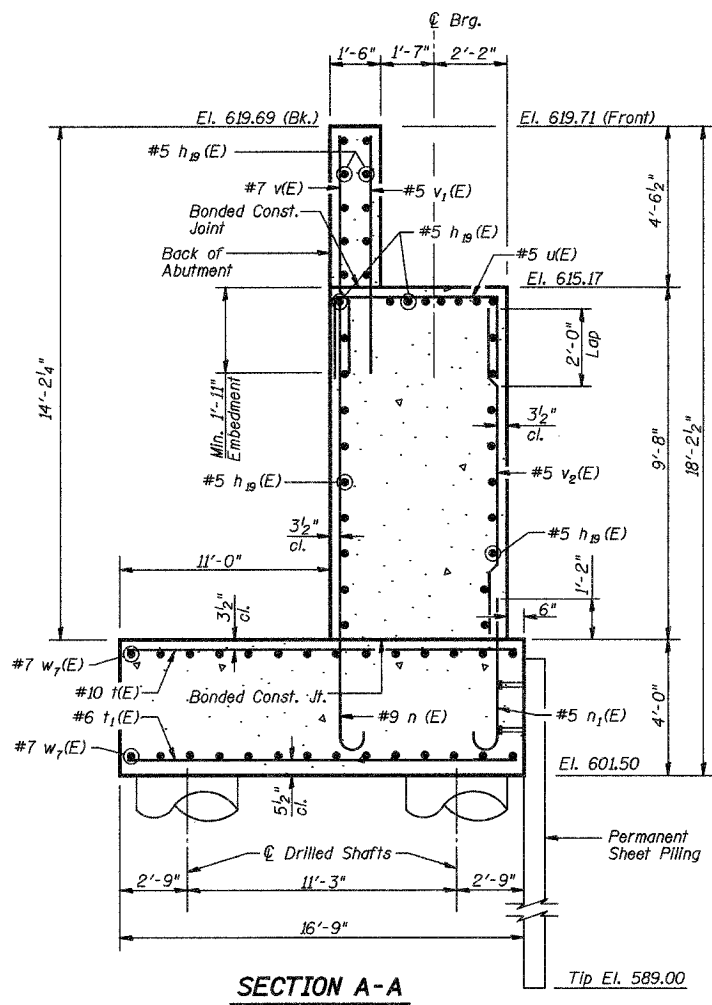


STATE OF ILLINOIS
DEPARTMENT OF TRANSPORTATION

ROUTE NO.	SECTION	COUNTY	TOTAL SHEETS	SHEET NO.
F.A.P. 351	3277R	COOK	66	39
FED. ROAD DIST. NO. 7		ILLINOIS	FED. AID PROJECT-	
Contract No. 62206				



Note:
Bars designated (E) shall be epoxy coated.

SOUTH ABUTMENT - DETAILS			
Date 3/27/06	Designed TDN	CN RAILROAD BRIDGE OVER U.S. 6 (159TH STREET) F.A.P. RTE. 351 SECTION 3277R COOK COUNTY STATION 92+24.25 STRUCTURE NO. 016-2754	
Revisions	Drawn BKN	Sheet No. 21 of 30	
	Checked DCS		
	Approved KWB		
Prepared By:	3040 N. University Ave., Suite 1 Decatur, IL.		URS Job No. 36430825