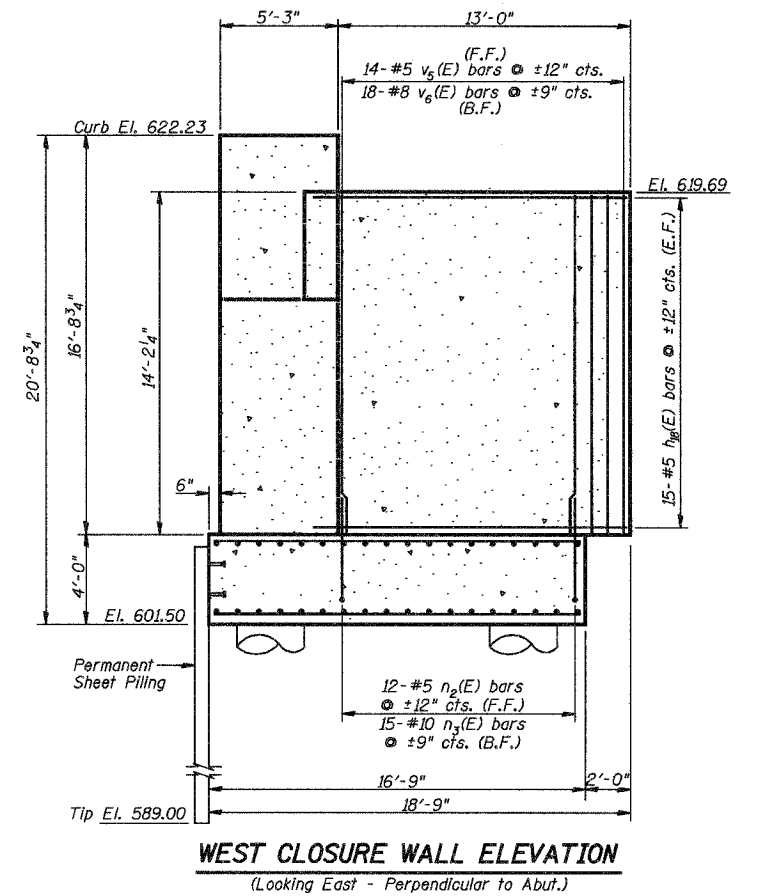
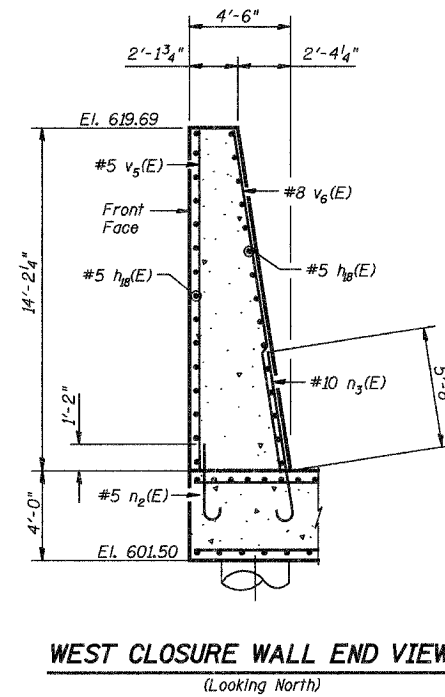
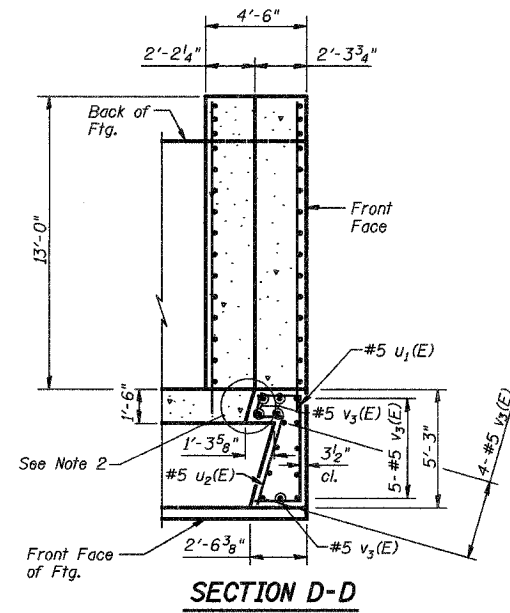
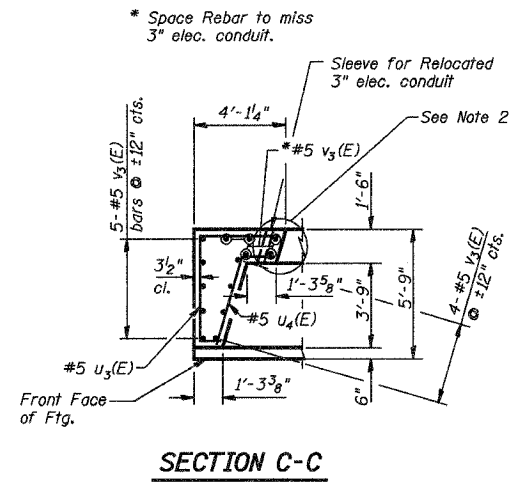


ROUTE NO.	SECTION	COUNTY	TOTAL SHEETS	SHEET NO.
F.A.P. 351	3277R	COOK	66	40
FED. ROAD DIST. NO. 7		ILLINOIS FED. AID PROJECT-		
Contract No. 62206				



Notes:

1. Bars designated (E) shall be epoxy coated.
2. Provide a 1/4" x 1'-6" Blockout in Curb for 3/32" Butyl Rubber Membrane and 2-1/2" Asphalt Planks. See Sheet 7 of 30 for typical Blockout in Curb & Sheet 8 of 30 for Membrane Waterproofing details at Joints.

SOUTH ABUTMENT - DETAILS

Date 3/27/06	Designed TDN	CN RAILROAD BRIDGE OVER U.S. 6 (159TH STREET) F.A.P. RTE. 351 SECTION 3277R COOK COUNTY STATION 92+24.25 STRUCTURE NO. 016-2754	Sheet No.
Revisions	Drawn BKN		22
	Checked DCS		of 30
	Approved KWB		
Prepared By:	3040 N. University Ave., Suite 1 Decatur, IL.		URS Job No. 36430825