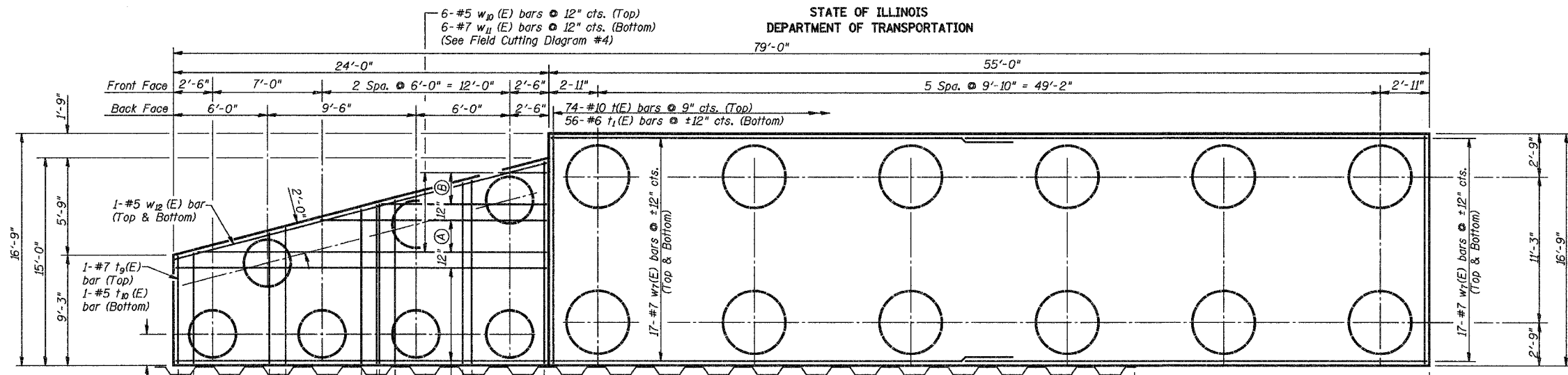
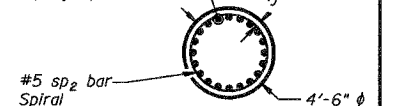


STATE OF ILLINOIS  
DEPARTMENT OF TRANSPORTATION

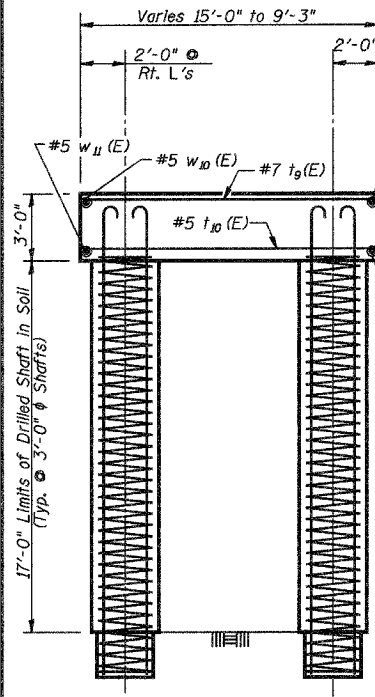
ROUTE NO.	SECTION	COUNTY	TOTAL SHEETS	SHEET NO.
F.A.P. 351	3277R	COOK	66	41

FED. ROAD DIST. NO. 7 ILLINOIS FED. AID PROJECT-  
Contract No. 62206

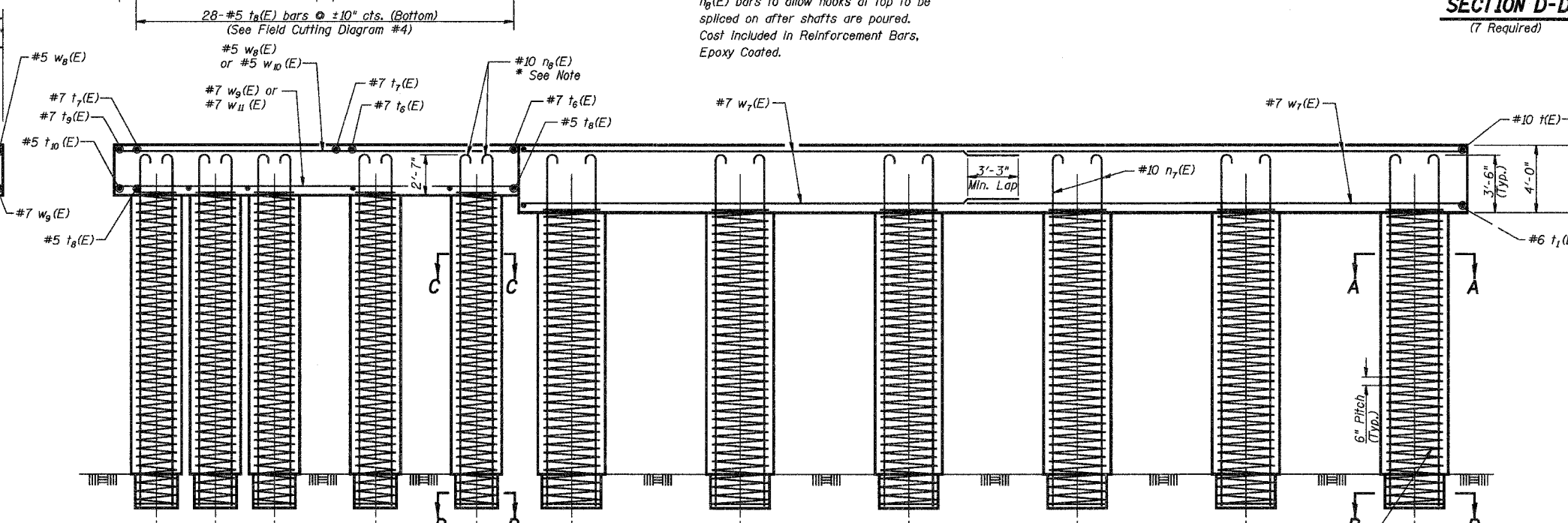


**FOOTING PLAN**

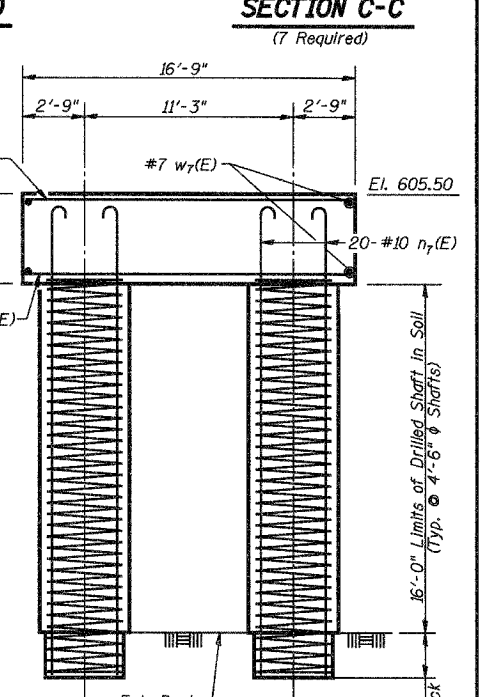
\* IDOT Approved Mechanical Reinforcing Bar Splicer/Coupler (E) is allowed for the n8(E) bars to allow hooks at top to be spliced on after shafts are poured. Cost Included in Reinforcement Bars, Epoxy Coated.



**END VIEW**



**ELEVATION**



**END VIEW**

Notes: For Field Cutting Diagram #3 and #4 See Sht. 24 of 30.

Drilled Shafts shall be drilled to Elevation 582.50. Quantities and Detailing are for the estimated Elevations shown on the Plans. The actual conditions encountered in each Shaft may differ and the Drilled Shaft and Reinforcement Quantities shall be adjusted accordingly as directed by the Engineer and paid for at the corresponding Unit Bid Price.

Min. Lap Splice for Spiral = 2'-0"

#5 sp2 or sp3 Spiral (Typ.)  
Each Shaft- Provide 1/2 extra turns top and bottom. Extend Spiral 2" into Footing. Provide min. 4-#4 bar spacers or equivalent.

SOUTH ABUTMENT - FOOTING & DRILLED SHAFTS			
Date 3/27/06	Designed TDN	CN RAILROAD BRIDGE OVER U.S. 6 (159TH STREET) F.A.P. RTE. 351 SECTION 3277R COOK COUNTY STATION 92+24.25 STRUCTURE NO. 016-2754	Sheet No.
Revisions	Drawn BKN		23
	Checked DCS		of 30
	Approved KWB		
Prepared By:	3040 N. University Ave., Suite 1 DeKalb, IL.		URS Job No. 36430825