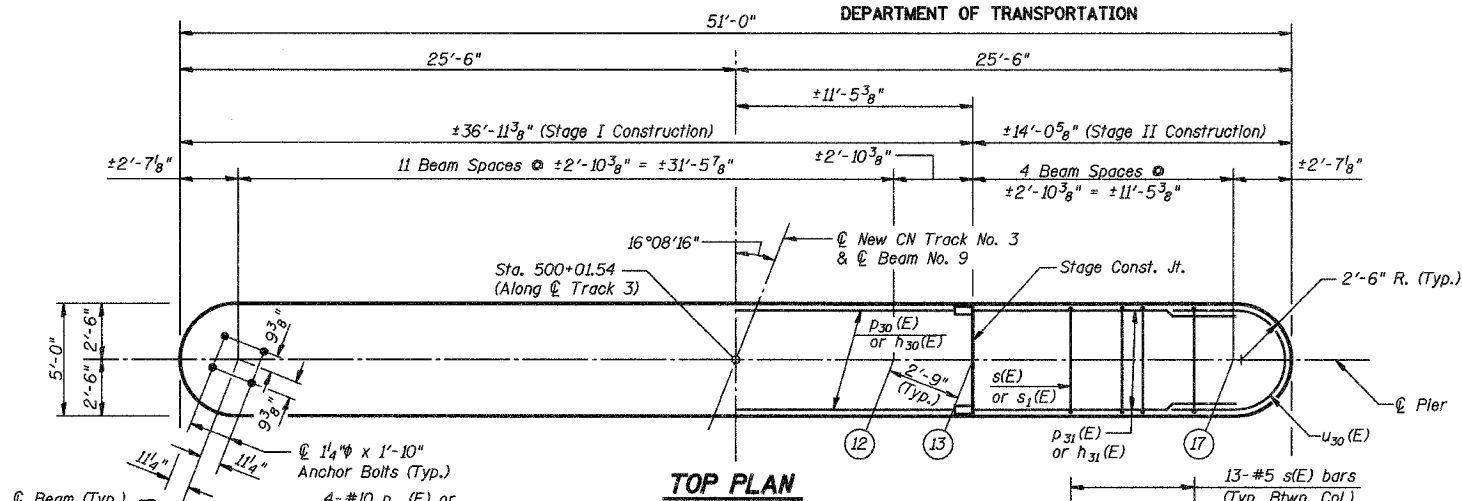
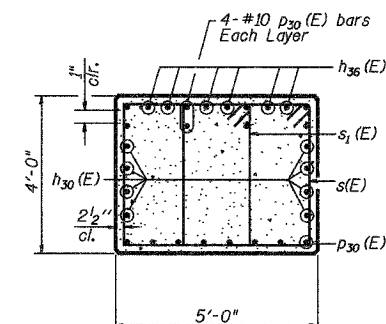


STATE OF ILLINOIS  
DEPARTMENT OF TRANSPORTATION

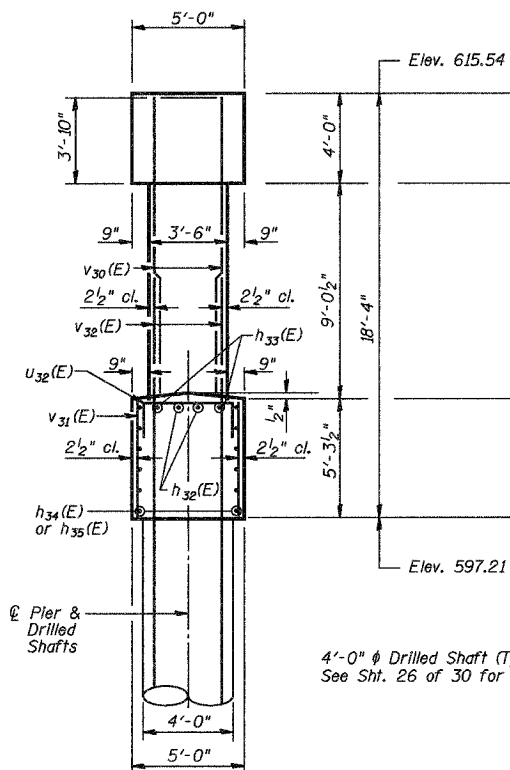
| ROUTE NO.             | SECTION | COUNTY   | TOTAL SHEETS      | SHEET NO. |
|-----------------------|---------|----------|-------------------|-----------|
| F.A.P. 351            | 3277R   | COOK     | 66                | 43        |
| FED. ROAD DIST. NO. 7 |         | ILLINOIS | FED. AID PROJECT- |           |
| Contract No. 62206    |         |          |                   |           |



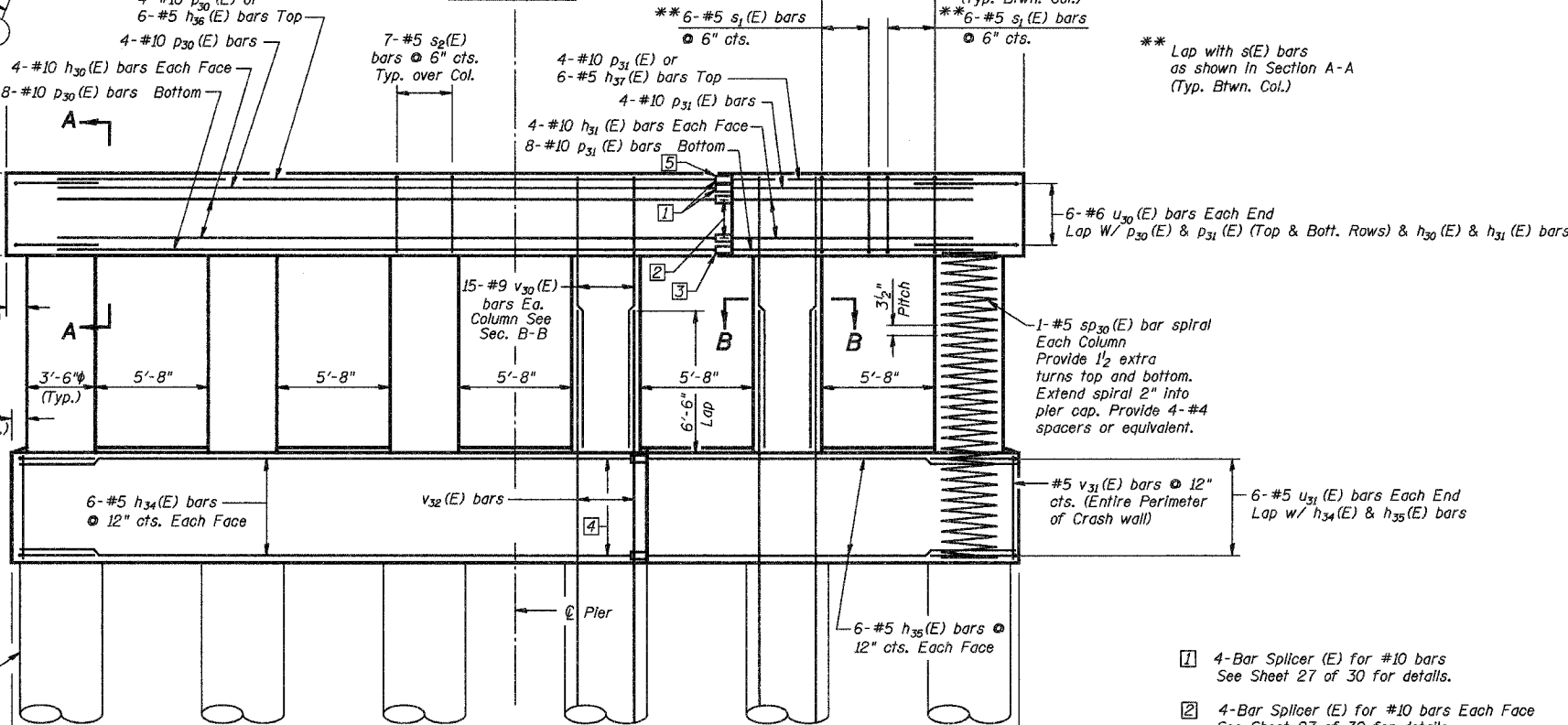
**TOP PLAN**



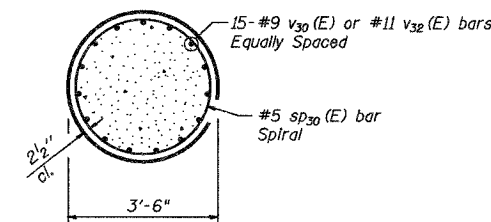
**SEC. A-A**



**END VIEW**



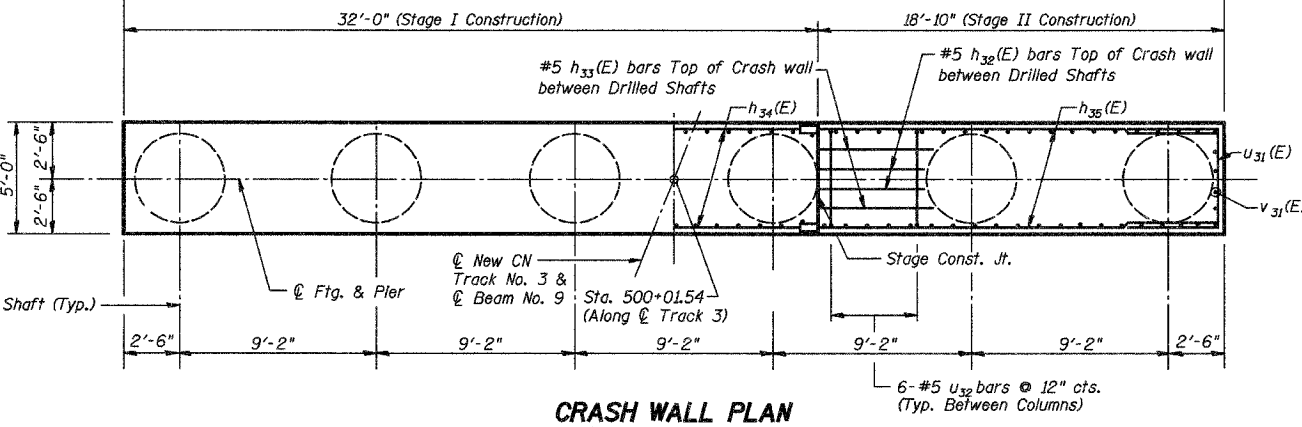
**ELEVATION**



**SEC. B-B**

- 1 4-Bar Splicer (E) for #10 bars See Sheet 27 of 30 for details.
- 2 4-Bar Splicer (E) for #10 bars Each Face See Sheet 27 of 30 for details.
- 3 8-Bar Splicer (E) for #10 bars See Sheet 27 of 30 for details.
- 4 6-Bar Splicer (E) for #5 bars Each Face See Sheet 27 of 30 for details.
- 5 6-Bar Splicer (E) for #5 bars See Sheet 27 of 30 for details.

Notes:  
Reinforcement Bars designated (E) shall be epoxy coated.  
For Bill of Materials and additional details see sheet 26 of 30.  
Space reinforcement in seat to miss anchor bolts.



**CRASH WALL PLAN**

| PIER         |                                                  | Sheet No.                                                                                                                                      |
|--------------|--------------------------------------------------|------------------------------------------------------------------------------------------------------------------------------------------------|
| Date 3/27/06 | Designed DCS                                     | CN RAILROAD BRIDGE<br>OVER U.S. 6 (159TH STREET)<br>F.A.P. RTE. 351 SECTION 3277R<br>COOK COUNTY<br>STATION 92+24.25<br>STRUCTURE NO. 016-2754 |
| Revisions    | Drawn BKN                                        |                                                                                                                                                |
|              | Checked TDN                                      |                                                                                                                                                |
|              | Approved KWB                                     |                                                                                                                                                |
| Prepared By: | 3040 N. University Ave., Suite 1<br>Decatur, IL. | 25<br>of 30                                                                                                                                    |
|              |                                                  | URS Job No.<br>36430825                                                                                                                        |