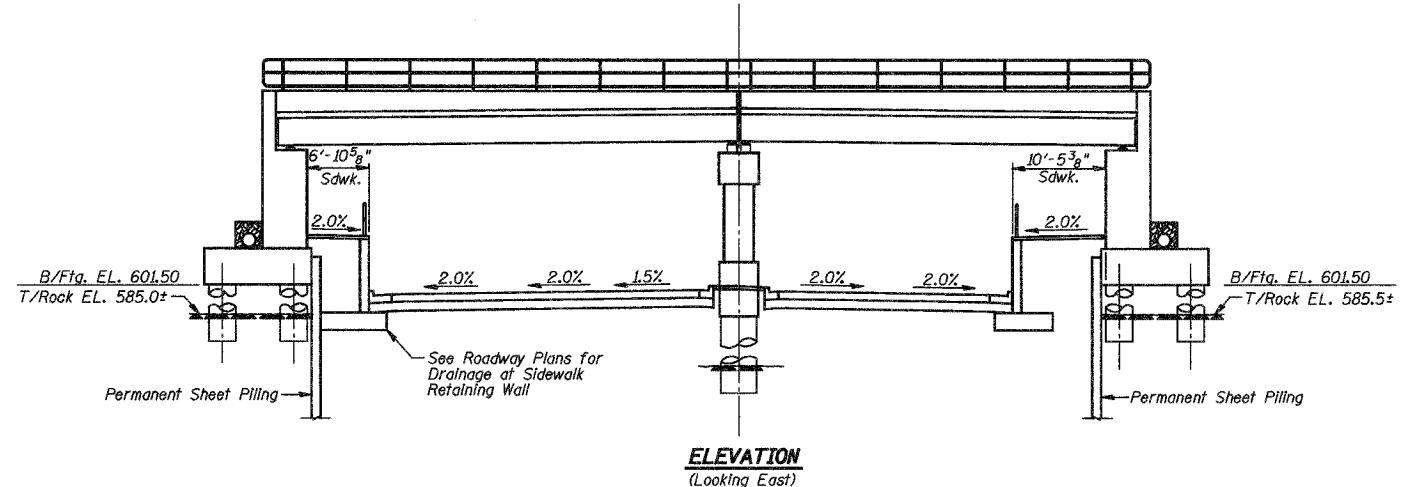
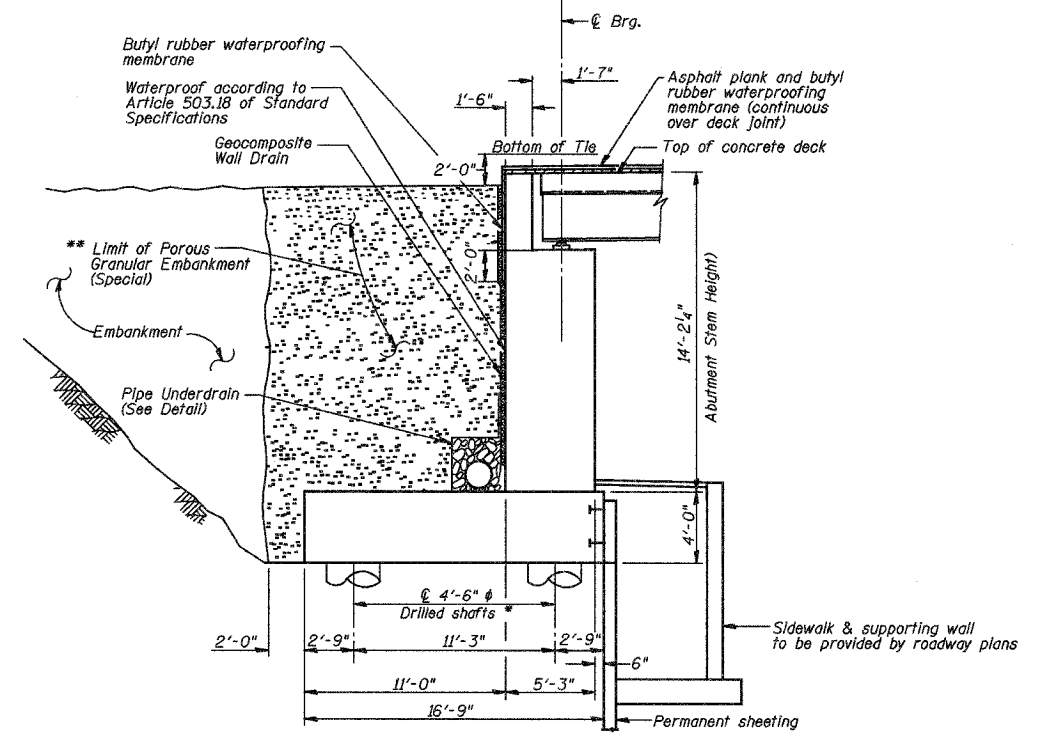


| ROUTE NO. | SECTION | COUNTY | TOTAL SHEETS | SHEET NO. |
|-----------------------|---------|----------|--------------------|-----------|
| F.A.P. 351 | 3277R | COOK | 66 | 46 |
| FED. ROAD DIST. NO. 7 | | ILLINOIS | FED. AID PROJECT - | |
| Contract No. 62206 | | | | |

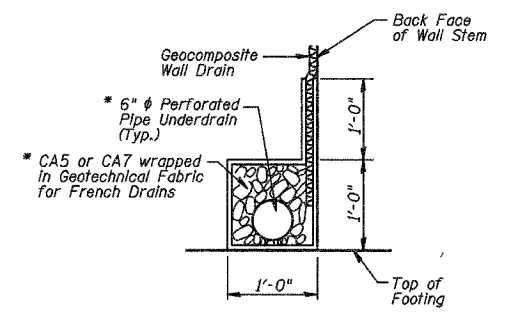


ELEVATION
(Looking East)



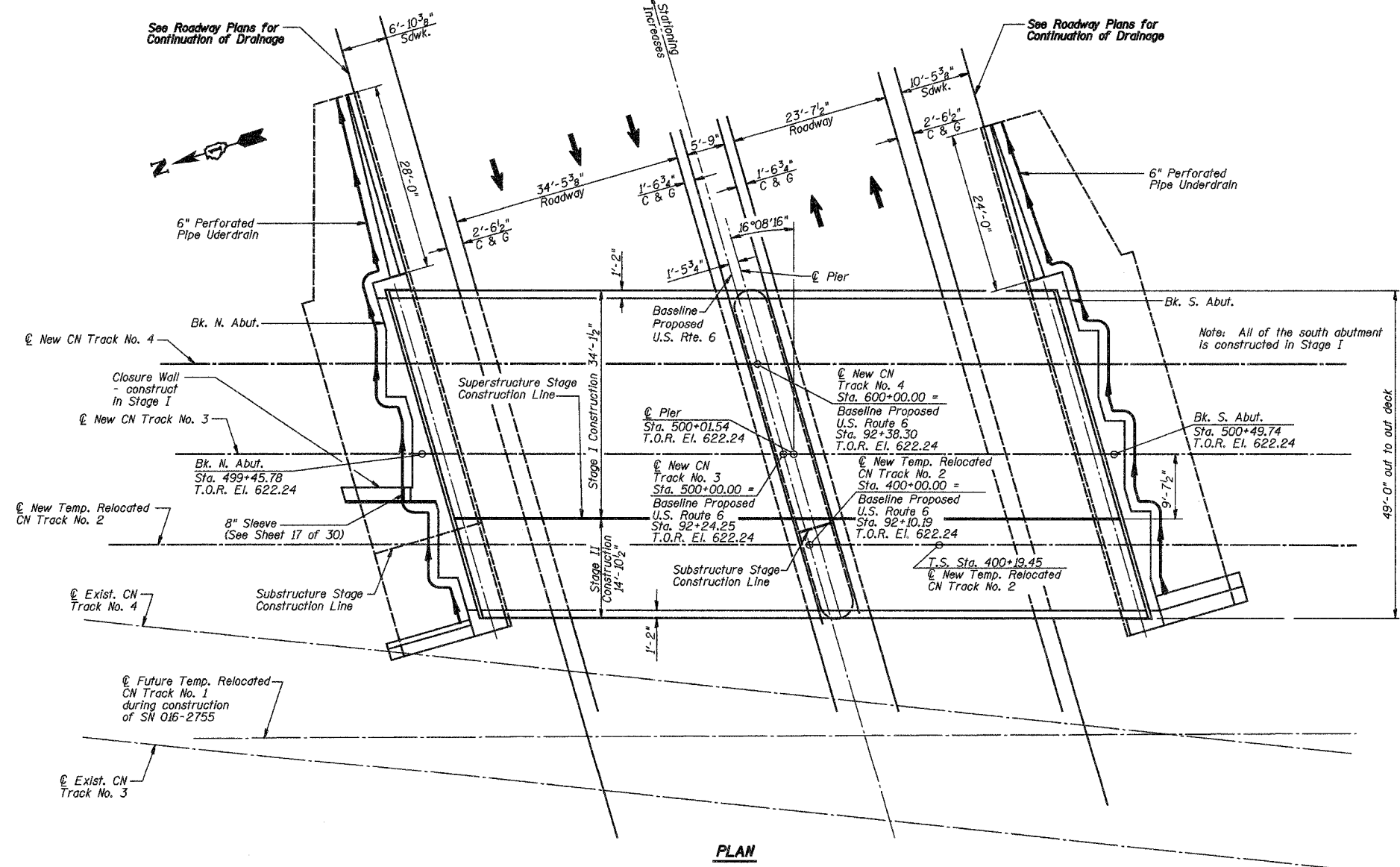
SECTION THRU ABUTMENT
(At Right Angles)

- * Included in cost of Pipe Underdrains for Structures 6"
- ** Excavation for placing Porous Granular Embankment (Special) is included in cost of Braced Excavation



PIPE UNDERDRAIN DETAIL

Notes:
See Abutment Bill of Material on Sheets 19 of 30 and 24 of 30 for Quantities of Porous Granular Embankment (Special), Pipe Underdrain For Structures, 6" and Geocomposite Wall Drain.



PLAN

| DRAINAGE & BACKFILL DETAILS | | | Sheet No. |
|-----------------------------|--|--|-------------------------|
| Date 3/27/06 | Designed TDN | CN RAILROAD BRIDGE OVER U.S. 6 (159TH STREET) F.A.P. RTE. 351 SECTION 3277R COOK COUNTY STATION 92+24.25 STRUCTURE NO. 016-2754 | 28 |
| Revisions | Drawn BKN | | |
| | Checked DCS | | |
| | Approved KWB | | |
| Prepared By: | 3040 N. University Ave., Suite 1 Decatur, IL. | | |
| | | | of 30 |
| | | | URS Job No. 36430825 |