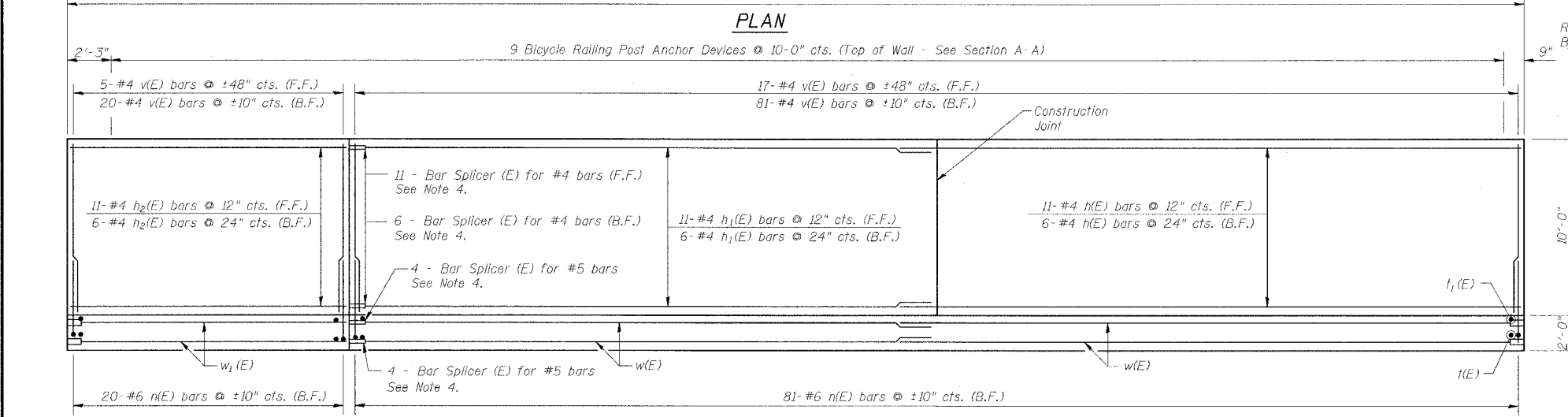
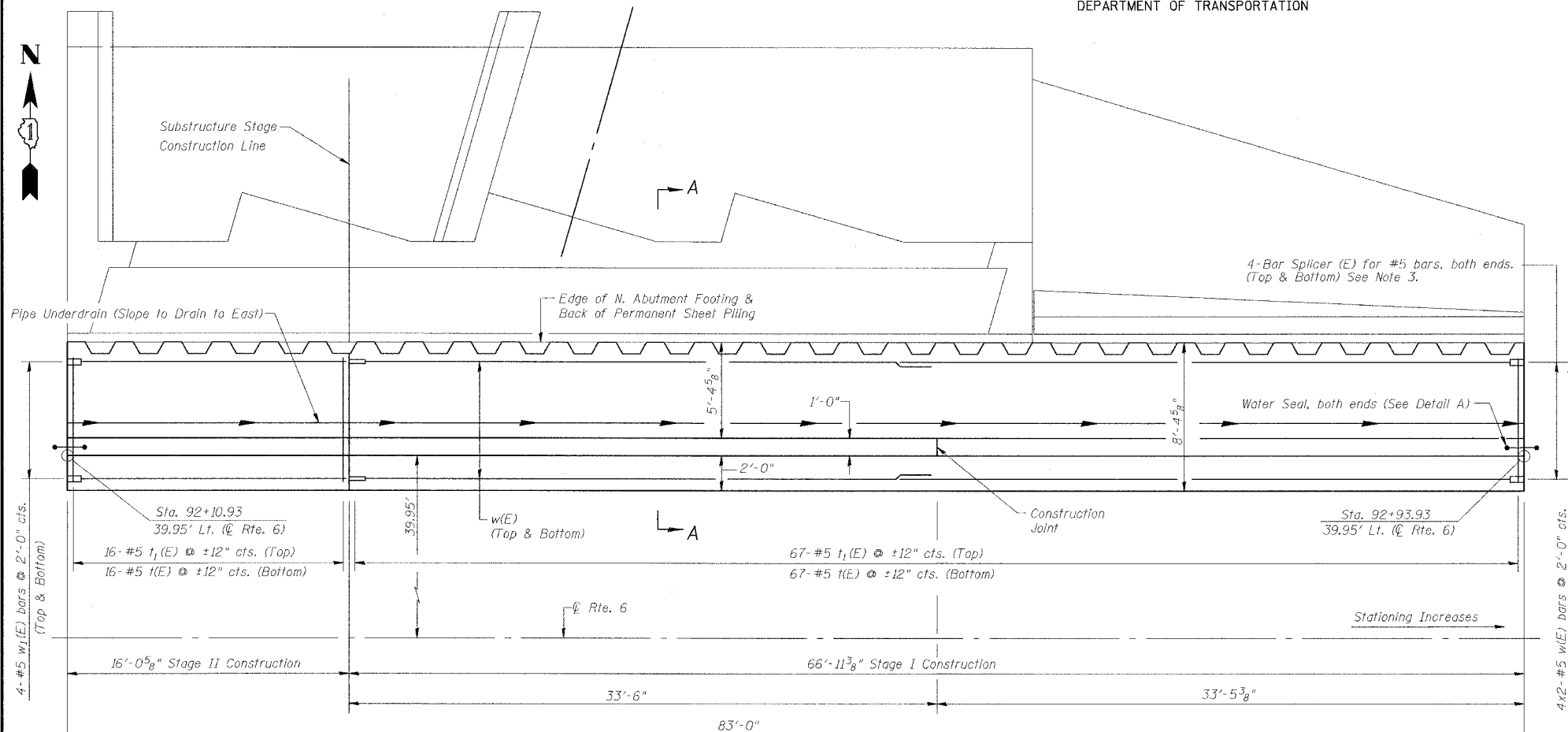
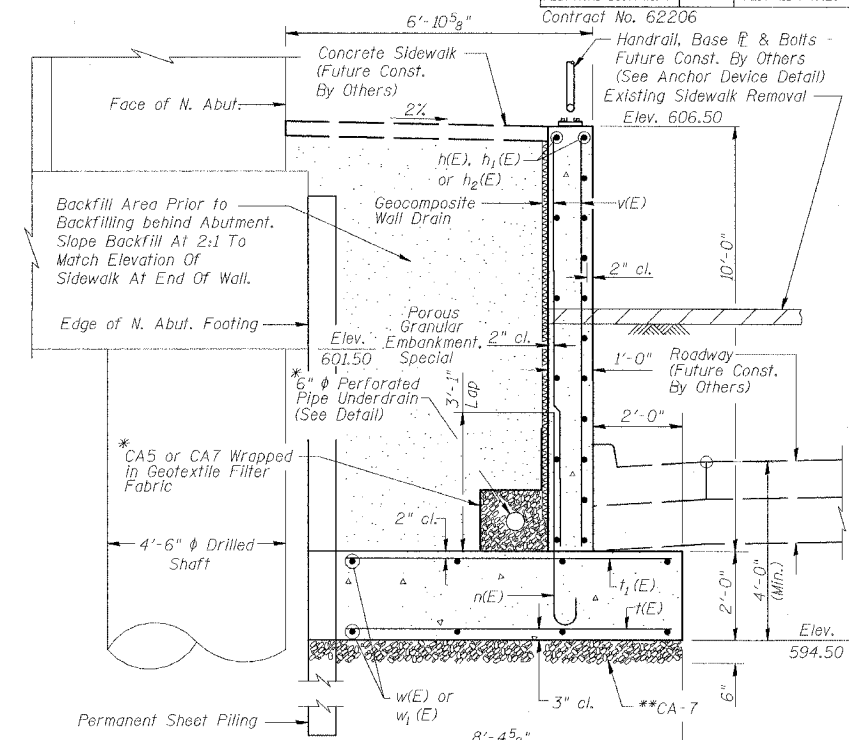
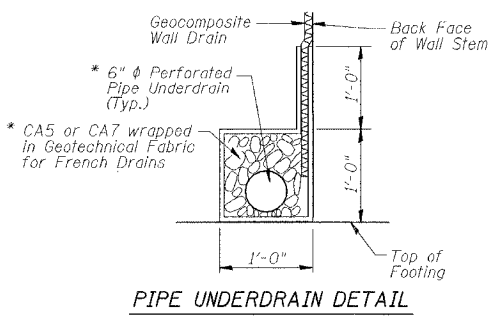
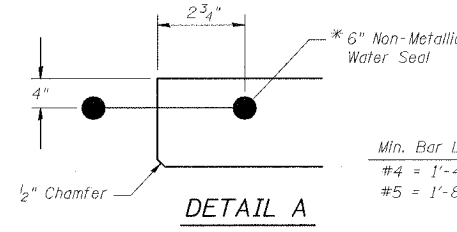


ROUTE NO.	SECTION	COUNTY	TOTAL SHEETS	SHEET NO.
F.A.P. 351	3277R	COOK	66	49
FED. ROAD DIST. NO. 7		ILLINOIS	FED. AID PROJECT- Contract No. 62206	



* Contractor to provide protective cover for Water Seal subject to the approval of the engineer.

- Notes:**
- Bars indicated thus 4x2-#5 etc., indicates 4 lines of bars with 2 lengths per line.
 - Reinforcement bars designated (E) shall be epoxy coated.
 - The unused half of the bar splicers shall be bundled together and clearly labeled with structure number, size and location within the structure (for example: SN 016-2754 #5 bar splicers for sidewalk retaining wall footing). They shall be given to I.D.O.T. for storage and use on future contracts. The open end of the casted bar shall be plugged with an insert subject to the approval of the engineer. Cost is included with Bar Splicers.
 - See Str.No. 016-2754 Plan Sheet 27 of 30 for details.
 - See Typical Sections sheet of roadway plans for Commonwealth Edison duct bank facility under north sidewalk immediately adjacent to location of proposed north abutment and sidewalk retaining wall.

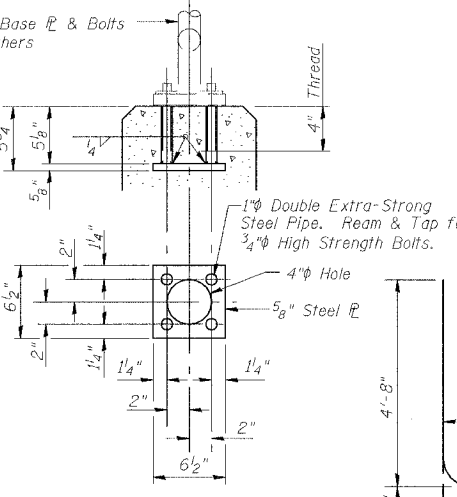


* The Geotextile Filter Fabric and the Perforated Pipe Underdrain shall not be paid for separately as indicated by Art. 601.08 of Section 601 of "Standard Specifications for Road and Bridge Construction", but shall be included for payment with the item Pipe Underdrains For Structures 6"

** The cost of CA-7 bedding under the retaining wall footing shall be included in the cost of Porous Granular Embankment, Special

SECTION A-A
BILL OF MATERIAL
NORTH
SIDEWALK RETAINING WALL

Bar	No.	Size	Length	Shape
h(E)	17	#4	34'-8"	—
h ₁ (E)	17	#4	33'-3"	—
h ₂ (E)	17	#4	15'-9"	—
n(E)	101	#6	5'-4"	—
h(E)	83	#5	7'-0"	—
h ₁ (E)	83	#7	7'-0"	—
v(E)	123	#4	9'-10"	—
w(E)	16	#5	34'-2"	—
w ₁ (E)	8	#5	15'-8"	—
Porous Granular Embankment, Special			Cu. Yd.	149
Structure Excavation			Cu. Yd.	311
Concrete Structures			Cu. Yd.	79.2
Reinforcement Bars, Epoxy Coated			Pound	5070
Geocomposite Wall Drain			Sq. Yd.	82
Pipe Underdrains For Structures 6"			Foot	83
Non-Special Waste Disposal			Cu. Yd.	157
Bar Splicers			Each	41



ANCHOR DEVICE

Cost of Anchor Device shall be included in the cost of Concrete Structures. Remainder of Handrail to be included in future contract.

NORTH SIDEWALK RETAINING WALL

Date 3/27/06	Designed TDN	CN RAILROAD BRIDGE OVER U.S. 6 (159TH STREET) F.A.P. RTE. 351 SECTION 3277R COOK COUNTY STATION 92+24.25 STRUCTURE NO. 016-2754	Sheet No.
Revisions	Drawn BKN		1
	Checked DCS		of 2
	Approved KWB		
Prepared By: URS	3040 N. University Ave., Suite 1 Decatur, IL.		URS Job No. 36430825