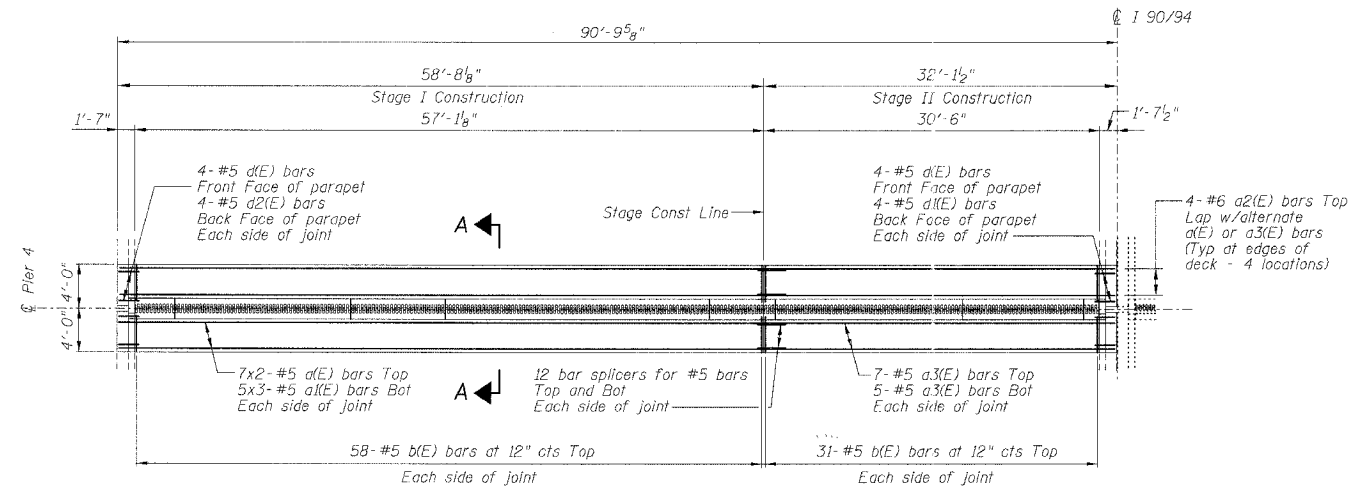


STATE OF ILLINOIS
DEPARTMENT OF TRANSPORTATION

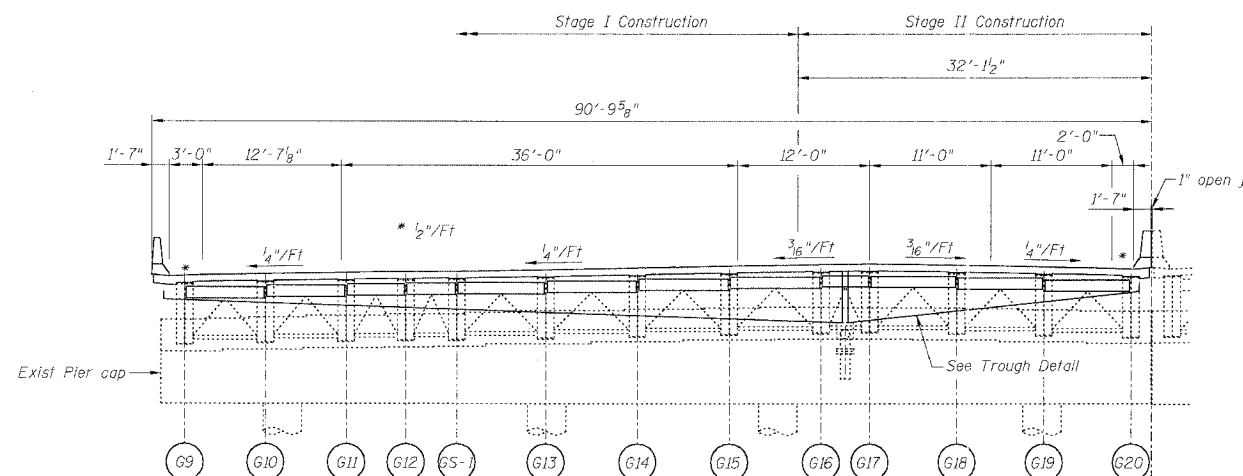
ROUTE NO.	SECTION	COUNTY	TOTAL SHEETS	SHEET NO.
FAI 90/94	*	COOK	244	214
FED. ROAD DIST. NO.	ILLINOIS	PROJECT		
* 2003-0291				

Sheet No 3
of 8 Sheets

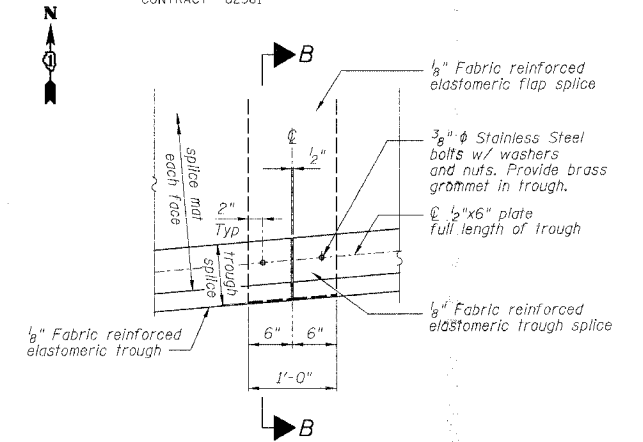
CONTRACT #62581



FINGER PLATE AT PIER 4 SOUTHBOUND
JOINT RECONSTRUCTION PLAN AT PIER 4
(Dimensions along C Pier)

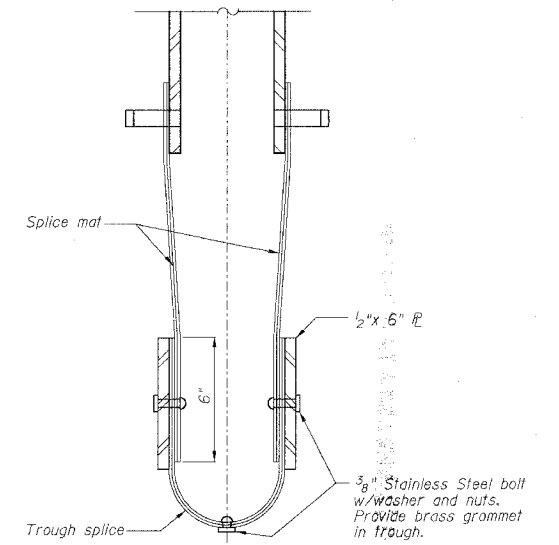


PIER 4 SOUTHBOUND
ELEVATION AT PIER 4 (LOOKING NORTH)
(Dimensions along C Pier)

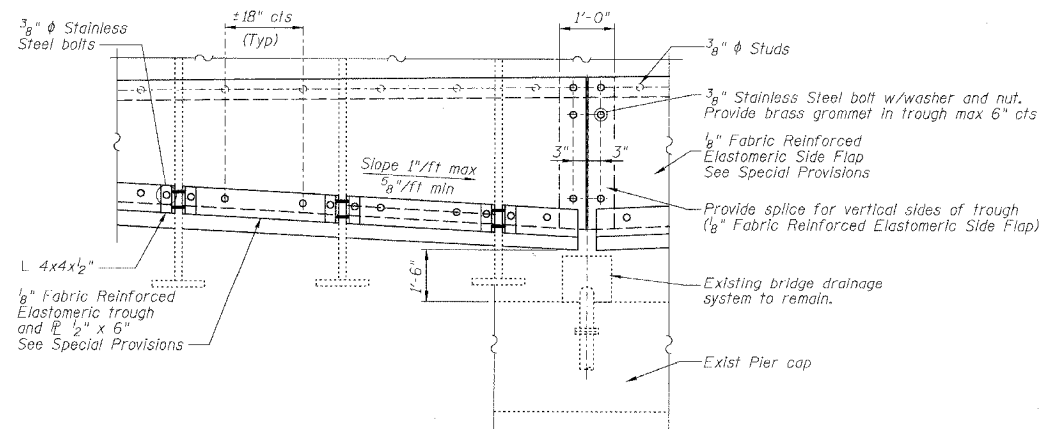


TROUGH SPLICE DETAIL

MIN BAR LAP
#5 bar = 1'-8"



SECTION B-B



TROUGH DETAIL

NOTES

For Section A-A see Sheet 4 of 8.

Bars indicated thus 5 x 3 - #5 etc. indicates 5 lines of bars with 3 lengths per line.

PIER NO. 4

REVISIONS			STATE OF ILLINOIS DEPARTMENT OF TRANSPORTATION DIVISION OF HIGHWAYS		DATE
No.	DATE	INITIALS	DRAWN BY	RLK	5/03
1			CHECKED BY	SDS	5/03
2			BOOK NUMBER		
3			PROJECT NO.	4222-3	
4			SHEET NO.		
5			FAI RTE 90/94 SB DAN RYAN EXPRESSWAY SN 016-1110 (SOUTHBOUND) SEC 2003-0291 COOK COUNTY		
6			HOMER L. CHASTAIN & ASSOCIATES CONSULTING ENGINEERS 6800 W. BEVIN MARSH AVENUE SUITE 204 CHICAGO, ILLINOIS 60631 TEL: 774-0030 FAX: 774-0035		