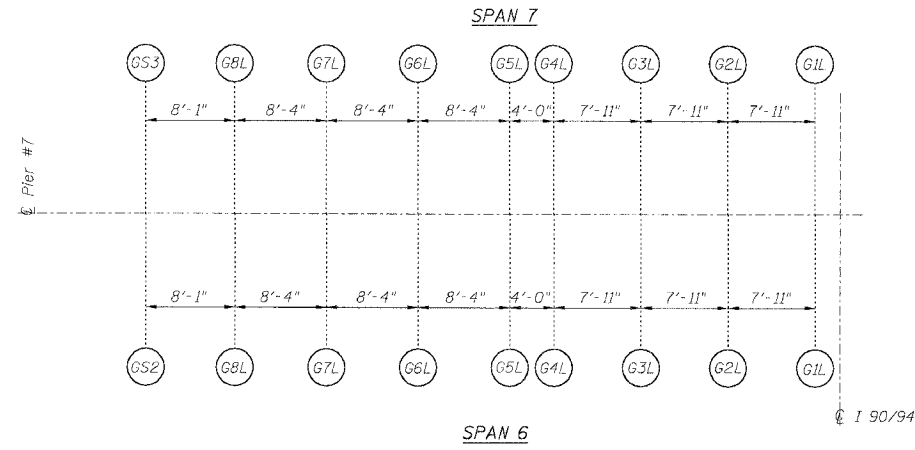


STATE OF ILLINOIS
DEPARTMENT OF TRANSPORTATION

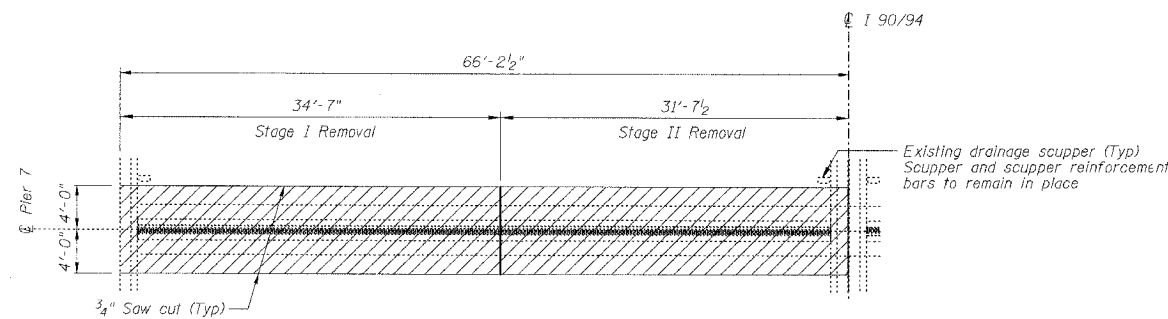
ROUTE NO.	SECTION	COUNTY	TOTAL SHEETS	SHEET NO.
FAI 90/94	*	COOK	244	229
FED. ROAD DIST. NO.	ILLINOIS	PROJECT		
* 2003-0291 CONTRACT #62581				

Sheet No 2
of 8 Sheets

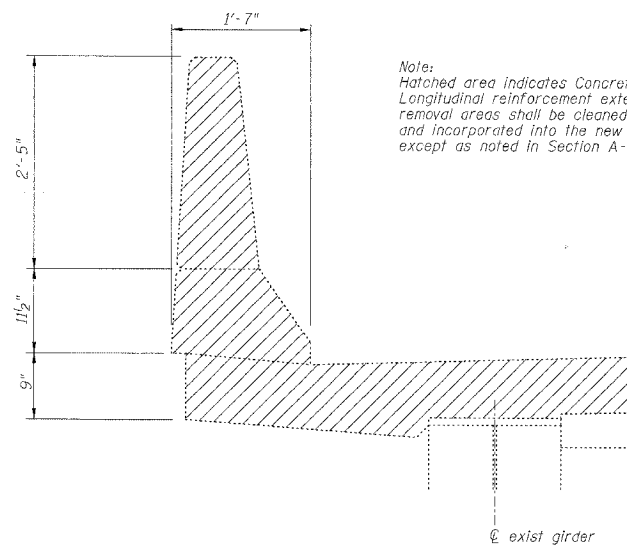


Note:
All dimensions on girder layout
are given along centerline of bearing.

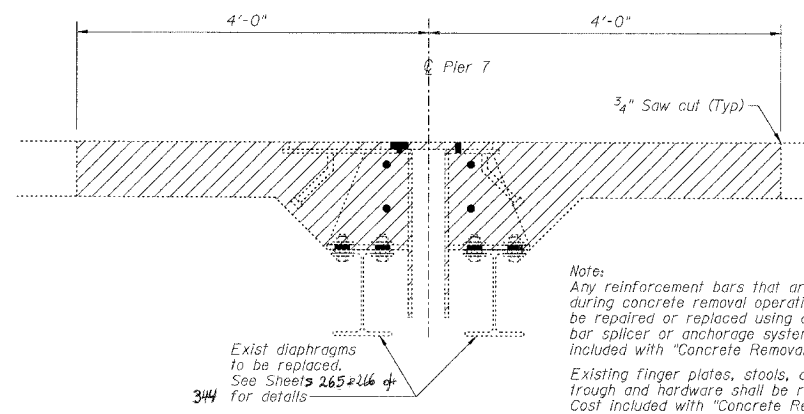
GIRDER LAYOUT AT PIER 7



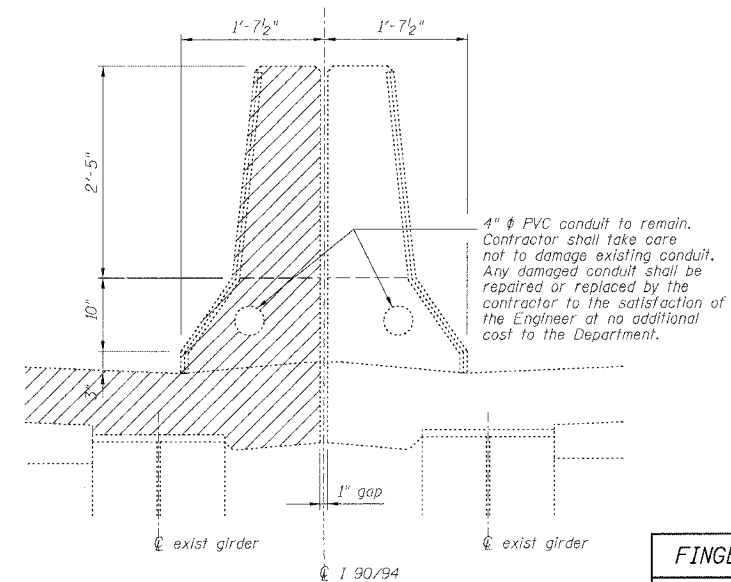
FINGER PLATE AT PIER 7 SOUTHBOUND
JOINT REMOVAL PLAN AT PIER 7



DETAIL AT EXISTING OUTSIDE PARAPET



SECTION AT EXISTING FINGER PLATE AT PIER 7



DETAIL AT EXISTING MEDIAN PARAPET

PIER NO. 7

FINGER PLATE EXPANSION JOINT REMOVAL DETAILS

REVISIONS		STATE OF ILLINOIS DEPARTMENT OF TRANSPORTATION DIVISION OF HIGHWAYS		DRAWN BY RLK	DATE 5/03
1				CHECKED BY SDS	DATE 5/03
2				BOOK NUMBER	
3				PROJECT NO.	4222-3
4				SHEET NO.	
5					
6					
7					
8					
9					
10					

CHASTAIN & ASSOCIATES
CONSULTING ENGINEERS
9600 W. BRYAN MAWRE AVENUE
SUITE 204
CHICAGO, ILLINOIS 60618
312-731-0000
FAX 312-731-0058