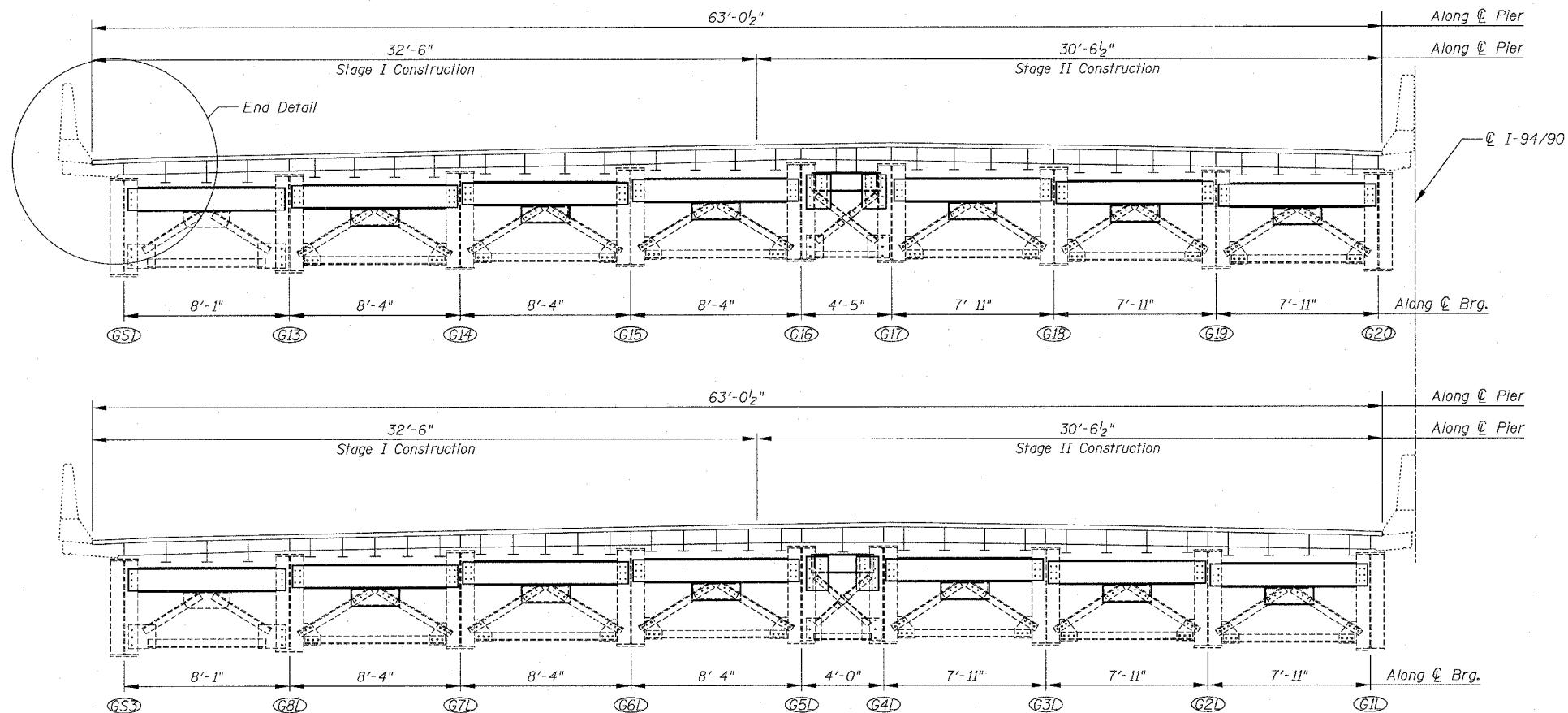
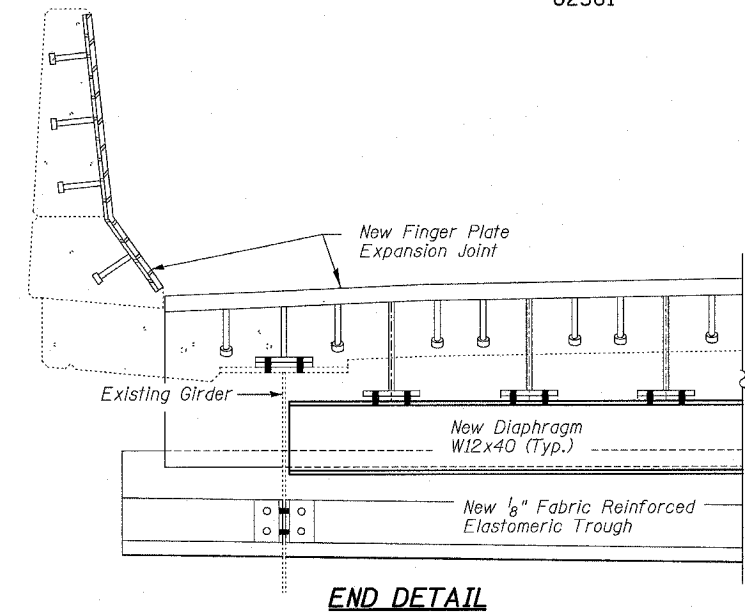
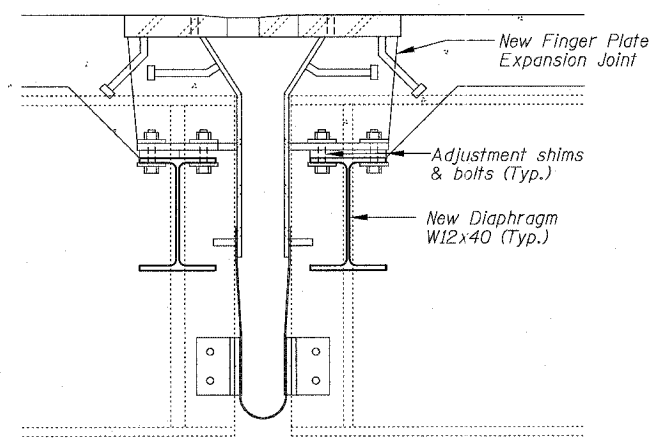
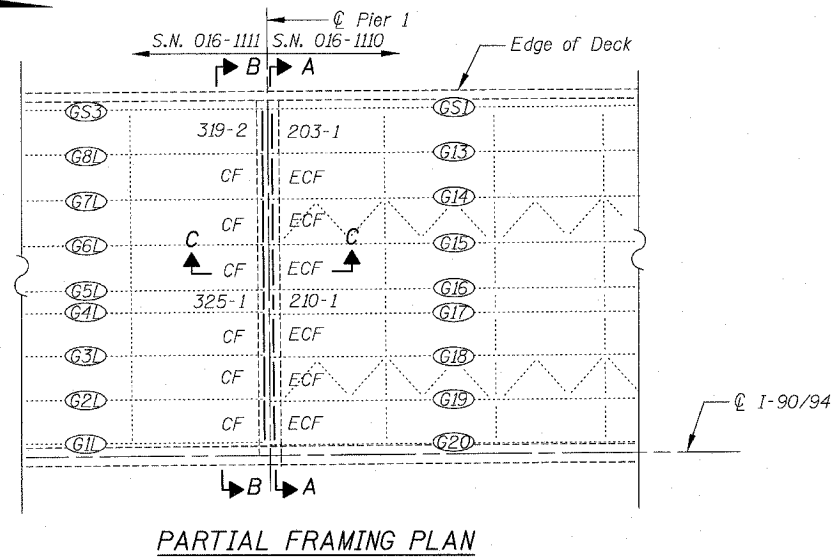
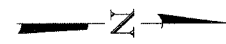


F.A.I.	SECTION	COUNTY	TOTAL SHEETS	SHEET NO.
94/90	2003-0291	COOK	344	263
STA.		TO STA.		
FED. ROAD DIST. NO.		ILLINOIS FED. AID PROJECT		
62581				



BOWMAN, BARRETT & ASSOCIATES INC.  
CONSULTING ENGINEERS  
Chicago, Illinois  
312.228.0100  
www.bbainc.com

REVISIONS		ILLINOIS DEPARTMENT OF TRANSPORTATION	
NAME	DATE	F.A.I. 94/90 (DAN RYAN EXPRESSWAY)	
		SB DAN RYAN ELEVATED BRIDGE	
		REPAIR FROM 15TH TO 28TH STREETS	
		DIAPHRAGM REPLACEMENT	
		PIER 1, SN 016-1110	
		SCALE: NTS	DRAWN BY: BDC
		DATE: 5/25/2006	CHECKED BY: IYL

4/25/2006 4:39:55 PM I:\66030\BRIDGE\2\ASHEETS\66021\_016-110-FF-2.dgn