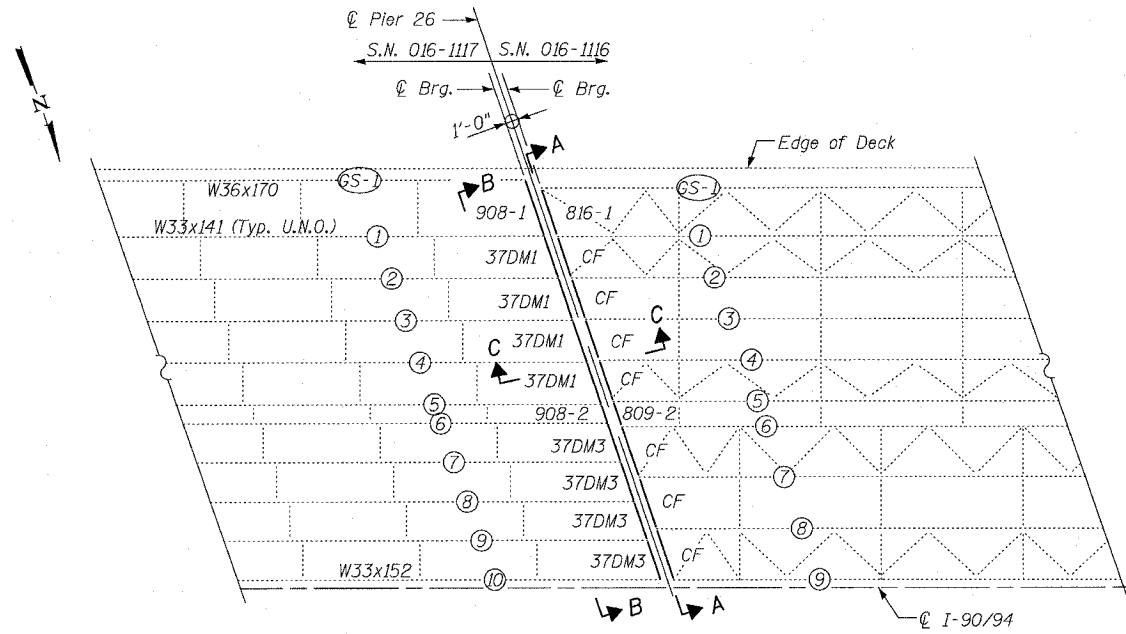
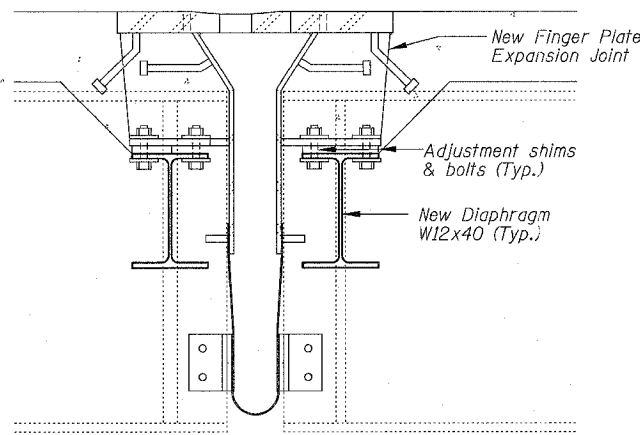


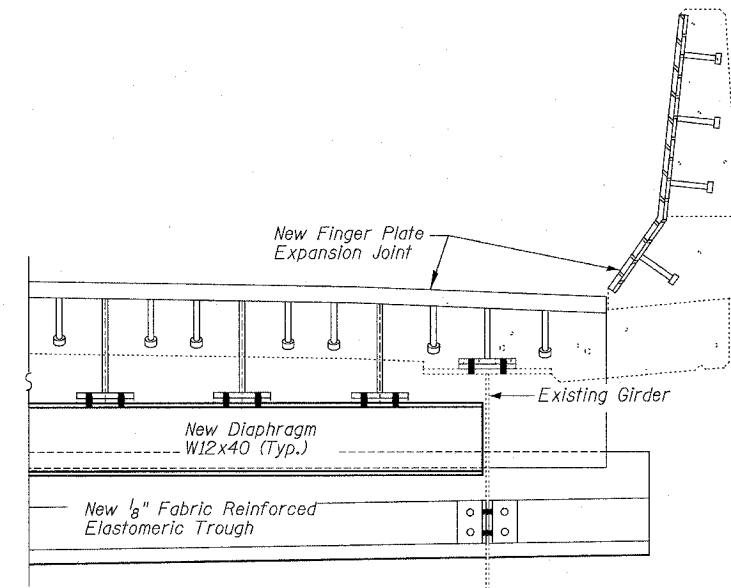
F.A.I.	SECTION	COUNTY	TOTAL SHEETS	SHEET NO.
94/90	2003-0291	COOK	344	271
STA.	TO STA.			
FED. ROAD DIST. NO.	ILLINOIS FED. AID PROJECT			
62581				



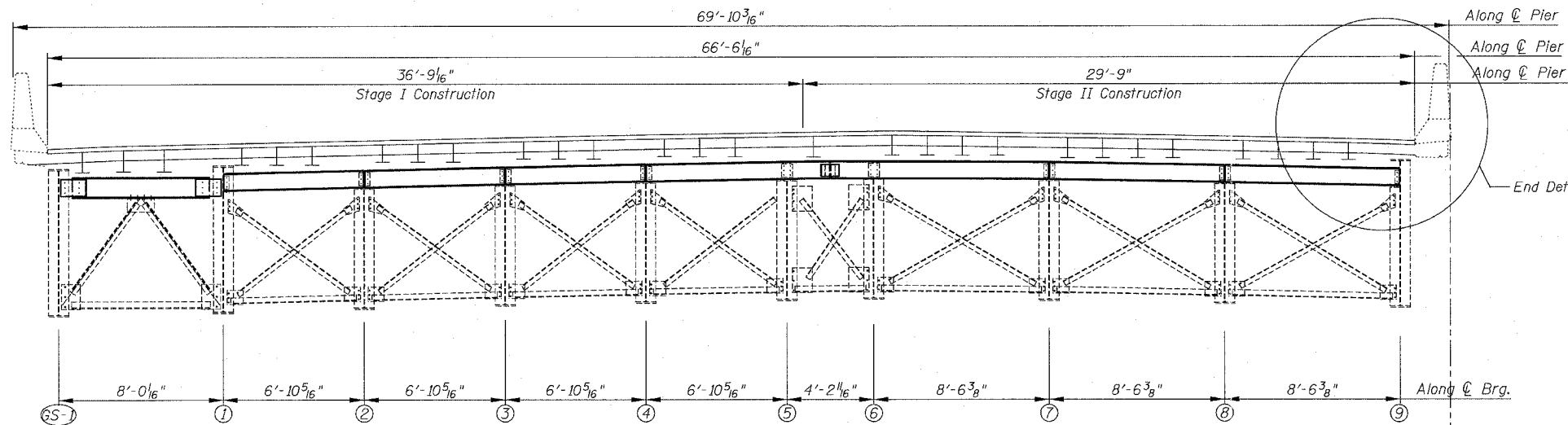
PARTIAL FRAMING PLAN



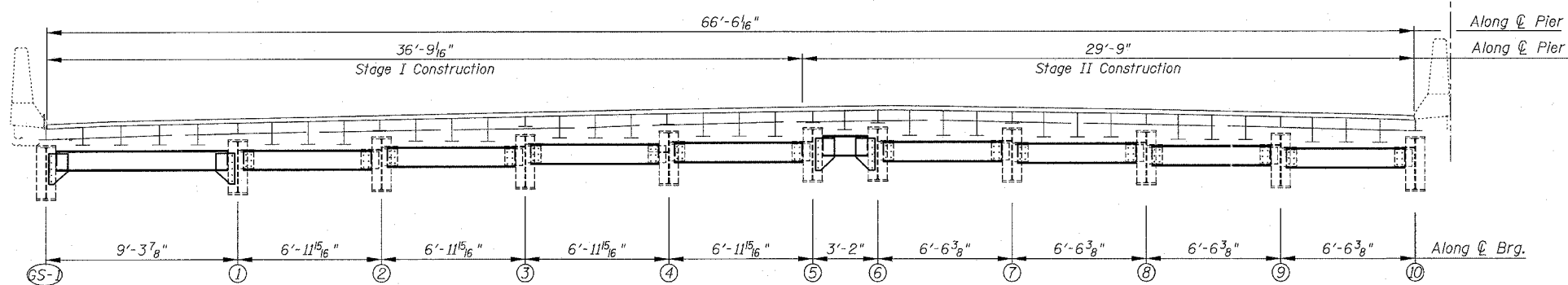
SECTION C-C



End Detail



SECTION A-A



SECTION B-B

BOWMAN, BARRETT & ASSOCIATES INC.
CONSULTING ENGINEERS
Chicago, Illinois
312.228.0100
www.bbainc.com

REVISIONS	
NAME	DATE

ILLINOIS DEPARTMENT OF TRANSPORTATION
F.A.I. 94/90 (DAN RYAN EXPRESSWAY)
SB DAN RYAN ELEVATED BRIDGE
REPAIR FROM 15TH TO 28TH STREETS
DIAPHRAGM REPLACEMENT
PIER 26, SN 016-1117
SCALE: NTS
DATE: 5/25/2006
DRAWN BY: BDC
CHECKED BY: TYL

I:\660\cadd\BRIDGE\20\SHETS\660_21_06\117-FR1.dwg 4/4/06 PM 5/25/2006