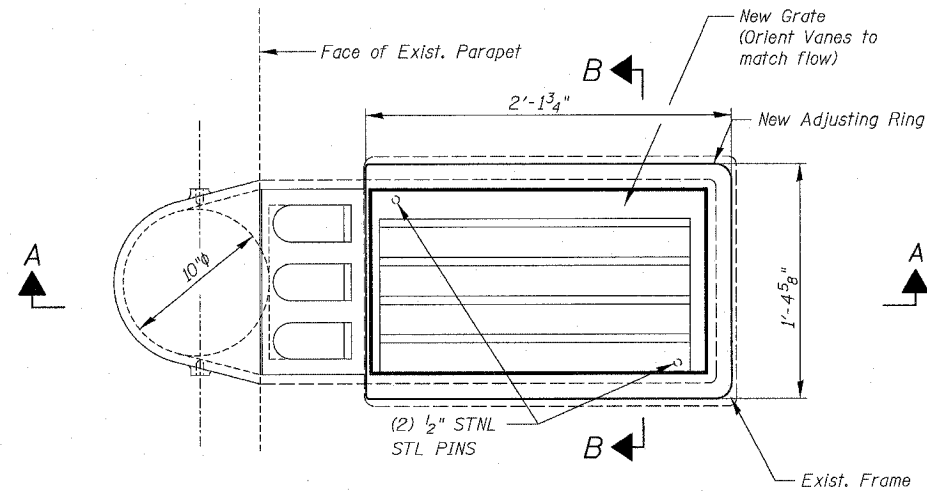
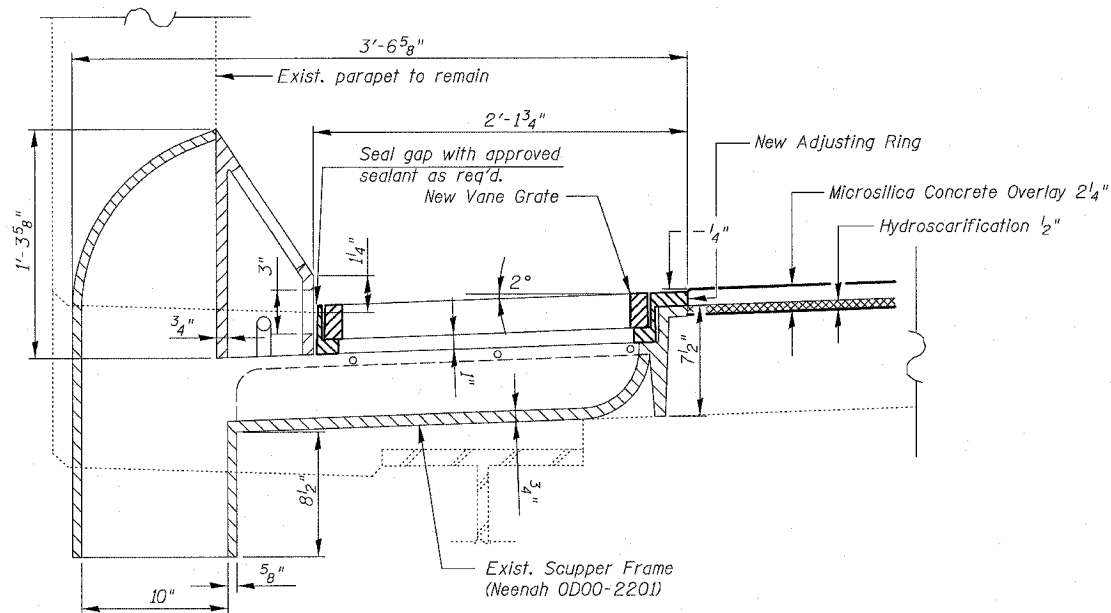


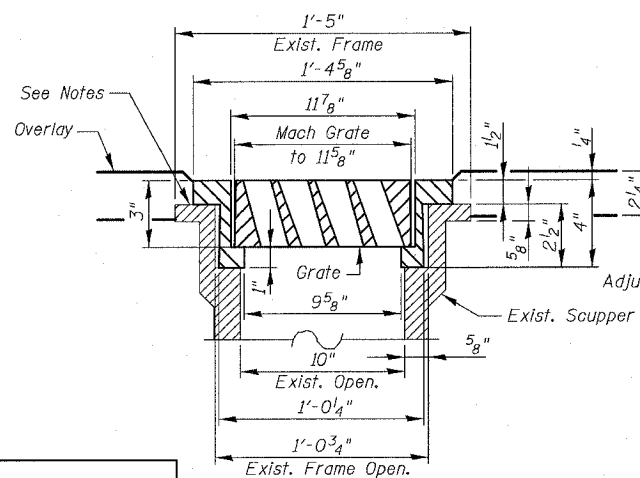
F.A.I.	SECTION	COUNTY	TOTAL SHEETS	SHEET NO.
94/90	2003-029I	COOK	344	279
STA.	TO STA.			
FED. ROAD DIST. NO.	ILLINOIS FED. AID PROJECT			
62581				



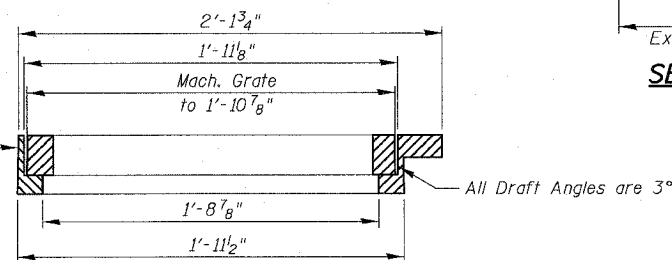
PLAN TYPE A SCUPPER



SECTION THRU TYPE A SCUPPER



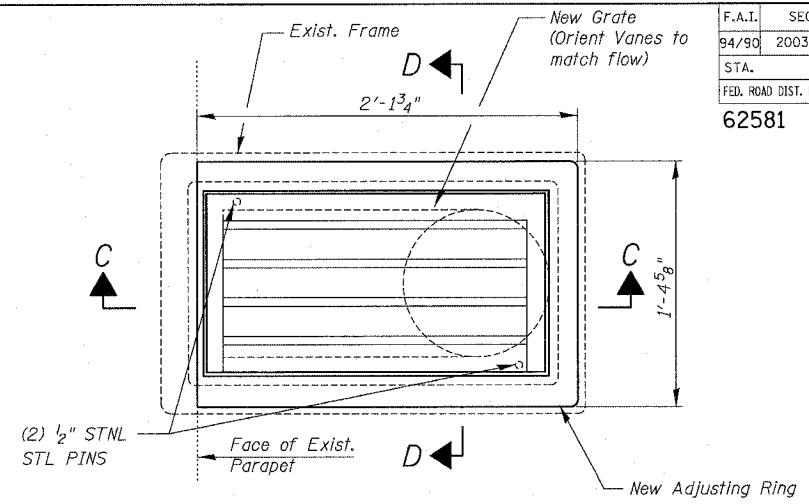
SECTION B-B



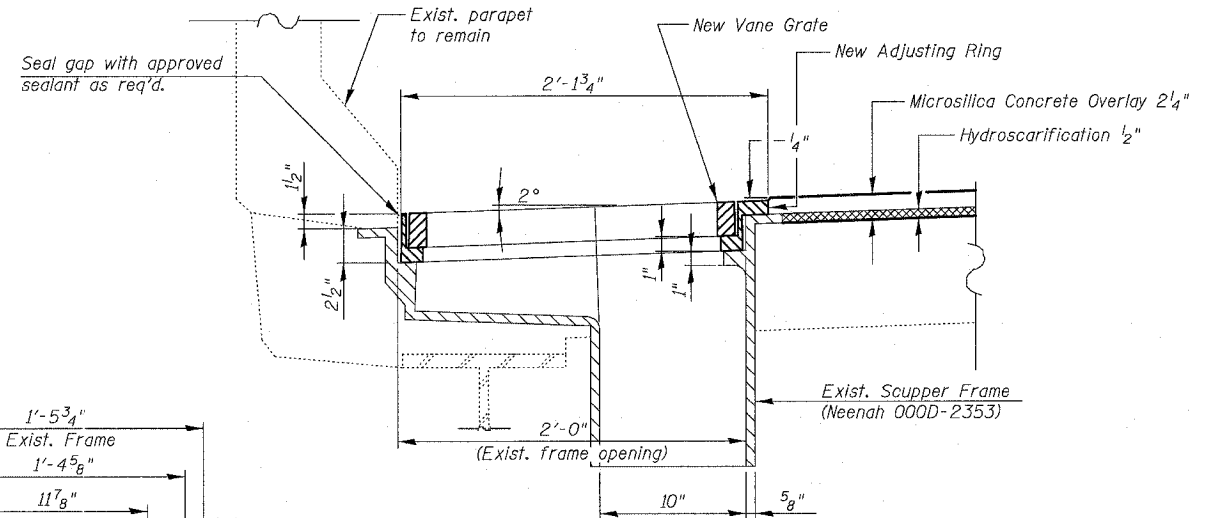
SECTION A-A

Notes:

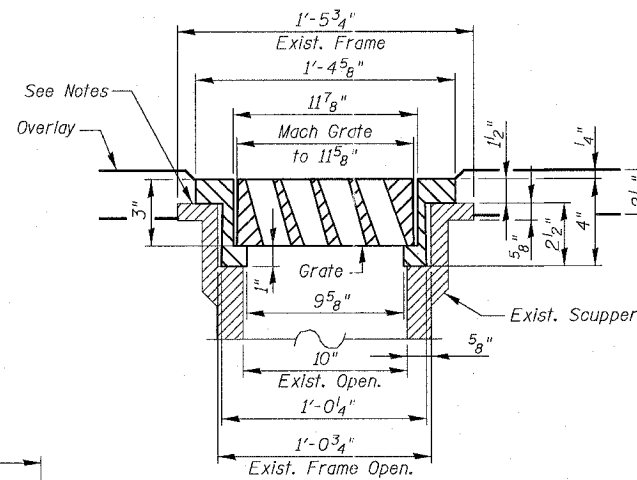
For additional notes and Bill of Material, see Sheet 280.
 All cast iron parts shall be gray iron conforming to the requirements of AASHTO M 105, Class 35B.
 Bolts, anchor studs, washers and nuts shall conform to the requirements of ASTM A 307 and shall be galvanized according to AASHTO M 232.
 Cast iron parts shall be unfinished.
 The Contractor Shall take appropriate measures to assure that Protective Coat is not applied to the scuppers.
 For scupper locations, see Partial Deck Plans.
 Adjusting ring and grates shall be from Neenah or approved equal. Structural steel weldments or equal sections and of the same configuration may be substituted for cast iron. Fillet or full penetration welds may be used for weldments. Details shall be submitted to the Engineer for approval.
 Provide a₈ fillet weld around perimeter of new adjusting ring to secure to existing scupper. Electrode shall be compatible with cast iron.



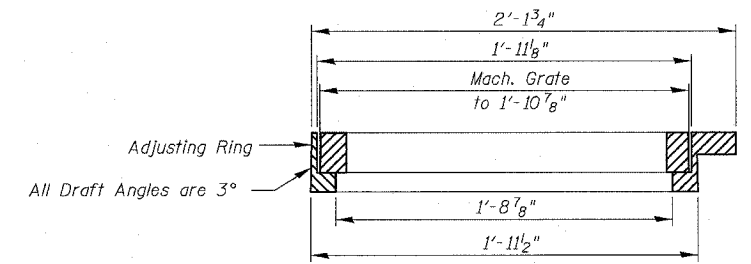
PLAN TYPE B SCUPPER



SECTION THRU TYPE B SCUPPER



SECTION D-D



SECTION C-C

All Draft Angles are 3°

BOWMAN, BARRETT & ASSOCIATES INC.
 CONSULTING ENGINEERS
 Chicago, Illinois
 312.228.0100
 www.bbainc.com

DRAINAGE SCUPPER DETAILS - TYPE A

Vane Grate 3922-0006 machined to fit

REVISIONS	NAME	DATE

ILLINOIS DEPARTMENT OF TRANSPORTATION
 F.A.I. 94/90 (DAN RYAN EXPRESSWAY)
 SB DAN RYAN ELEVATED BRIDGE
 REPAIR FROM 15TH TO 28TH STREETS
 ADJUSTING DRAINAGE SCUPPER
 DETAILS

SCALE: NTS
 DATE: 5/25/2006
 DRAWN BY: BDC
 CHECKED BY: BLU

R:\660\0000\BRIDGE\SCUPPERS\660_21_A0501.dwg 7:42 PM 5/25/2006