

F.A.I.	SECTION	COUNTY	TOTAL SHEETS	SHEET NO.
94/90	2003-0291	COOK	344	282
STA.	TO STA.			
FED. ROAD DIST. NO.	ILLINOIS FED. AID PROJECT			

62581

GENERAL NOTES

Furnish PJS steel plates in segments of 20 feet maximum length. Maximum space between installed segments shall be 3/16". Seal space with silicone sealant suitable for structural steel.

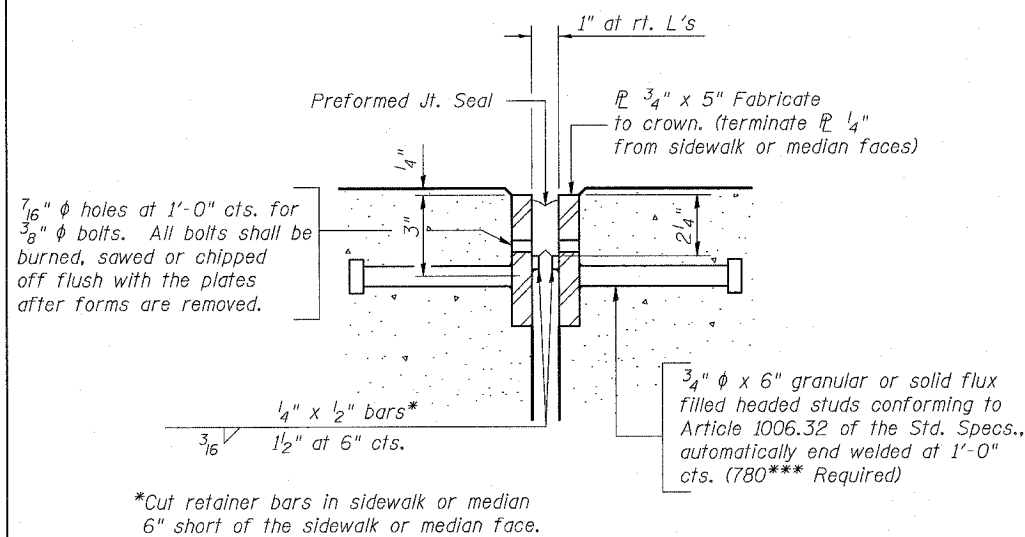
The strip seal shall be made continuous and shall have a minimum thickness of 1/4". The configuration of the strip seal shall match the configuration of the Locking Edge Rails.

The height and thickness of the Locking Edge Rails shown are minimum dimensions. The actual configuration of the Locking Edge Rails and matching strip seal may vary from manufacturer to manufacturer. Flanged edge rails will not be allowed.

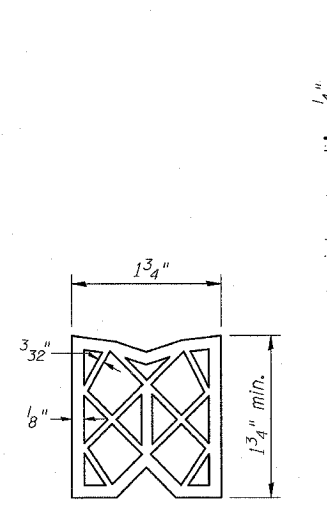
Locking Edge Rails may be spliced at slope discontinuities and stage construction joints.

The manufacturer's recommended installation methods shall be followed.

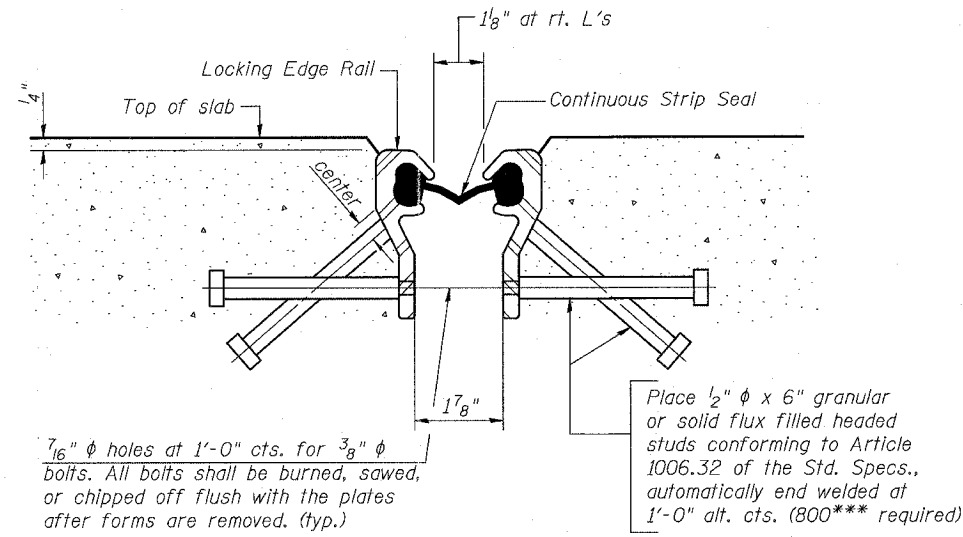
The joint opening and deck dimensions detailed on the superstructure are based on a preformed joint seal. If the contractor elects to use the alternate strip seal joint, the opening and deck dimensions shall be modified according to the dimensions detailed on this sheet. Required modifications shall be made at no additional cost to the Department.



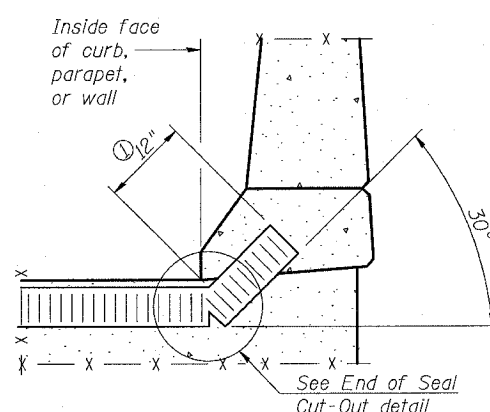
SECTION THRU FIXED PREFORMED JOINT SEAL



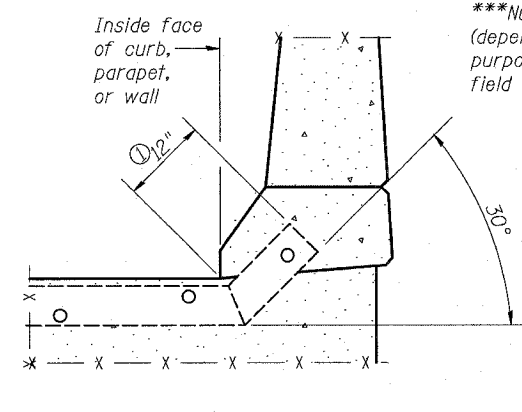
PREFORMED JOINT SEAL



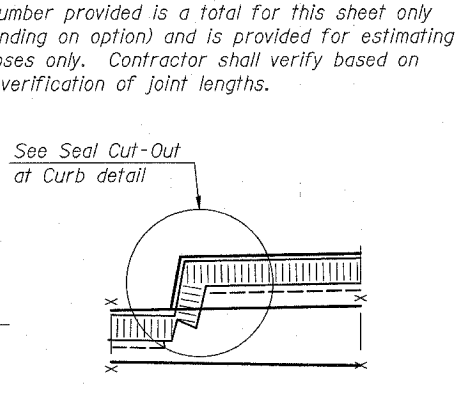
SECTION THRU FIXED STRIP SEAL JOINT



AT CURB, PARAPET, OR WALL (Showing seal)

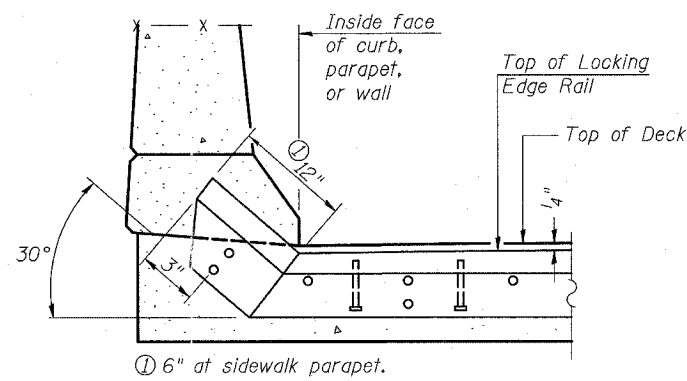


AT CURB, PARAPET, OR WALL (Showing plate)

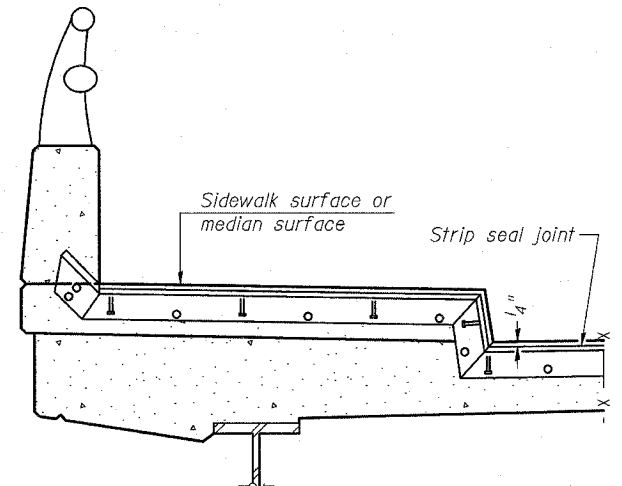


AT SIDEWALK OR MEDIAN

TYPICAL END TREATMENTS FOR PREFORMED JOINT SEAL

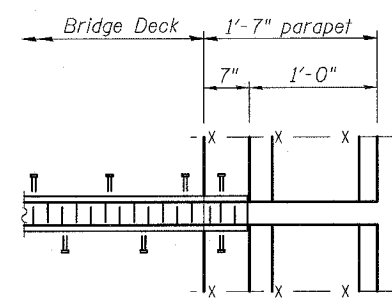


AT CURB, PARAPET, OR WALL

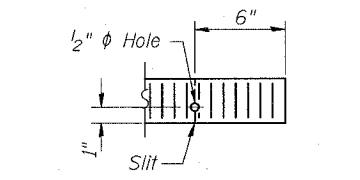


AT SIDEWALK OR MEDIAN

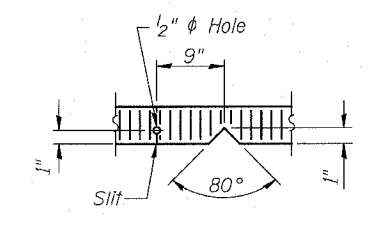
TYPICAL END TREATMENTS FOR STRIP SEAL



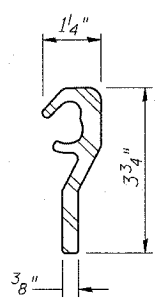
PLAN AT PARAPET



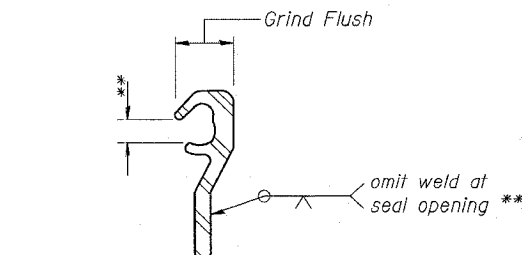
END OF SEAL CUT-OUT



SEAL CUT-OUT AT CURB



LOCKING EDGE RAIL



LOCKING EDGE RAIL SPLICE

The inside of the Locking Edge Rail groove shall be free of weld residue.

BOWMAN, BARRETT & ASSOCIATES INC.
CONSULTING ENGINEERS
Chicago, Illinois
312.228.0100
www.bbainc.com

FJ-BJS 9-01-03

REVISIONS	
NAME	DATE

ILLINOIS DEPARTMENT OF TRANSPORTATION
F.A.I. 94/90 (DAN RYAN EXPRESSWAY)
SB DAN RYAN ELEVATED BRIDGE
REPAIR FROM 15TH TO 28TH STREETS
BRIDGE JOINT SYSTEM - FIXED

SCALE: NTS
DATE: 5/25/2006

DRAWN BY: BDC
CHECKED BY: BLU

5/25/2006 7:25Z PM