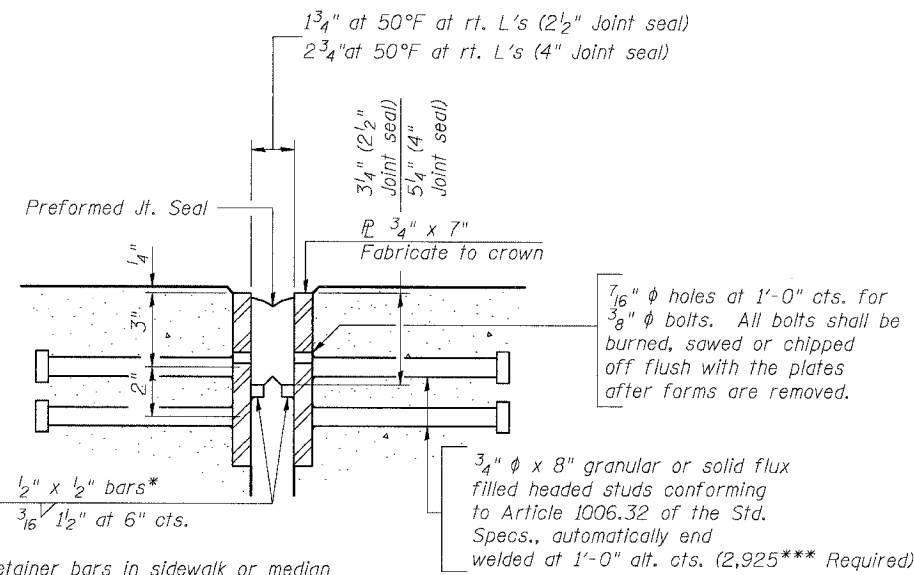


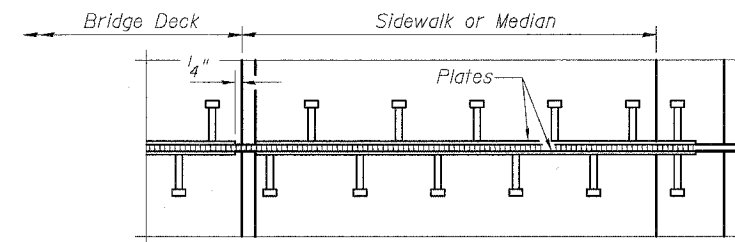
F.A.I.	SECTION	COUNTY	TOTAL SHEETS	SHEET NO.
94/90	2003-0291	COOK	344	283
STA.	TO STA.			
FED. ROAD DIST. NO.	ILLINOIS	FED. AID PROJECT		
62581				

GENERAL NOTES

Furnish steel plates in segments of 20 feet maximum length. Maximum space between installed segments shall be $\frac{3}{16}$ ". Seal space with silicone sealant suitable for structural steel.



Bridge Joint System (Expansion)		
Design Movement	Required Preformed Joint Seal Size	Required Strip Seal Rated movement
1"	2 1/2"	1"
1 5/8"	4"	2"



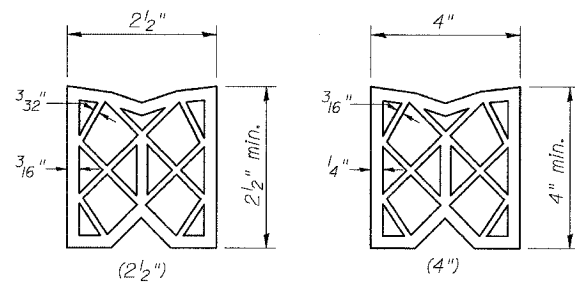
PLAN AT SIDEWALK OR MEDIAN

SECTION THRU EXPANSION JOINT

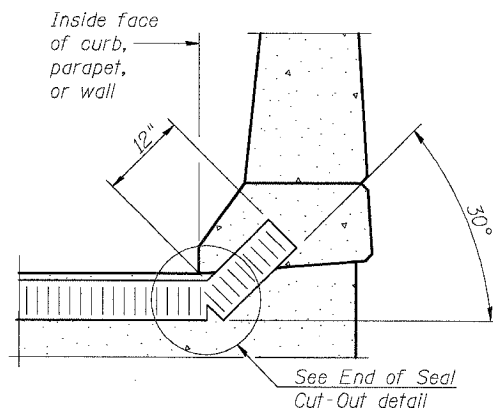
(2 1/2" and 4" joint seals)

*Cut retainer bars in sidewalk or median 6" short of the sidewalk or median face.

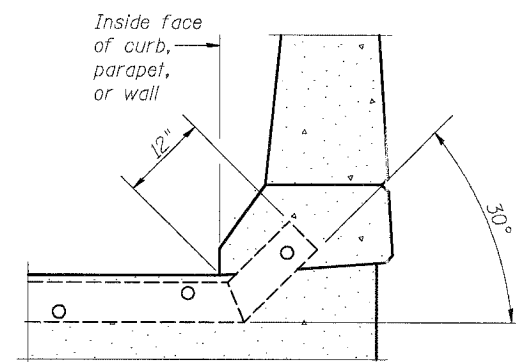
***Number provided is a total for this sheet only and is provided for estimating purposes only. Contractor shall verify based on field verification of joint lengths.



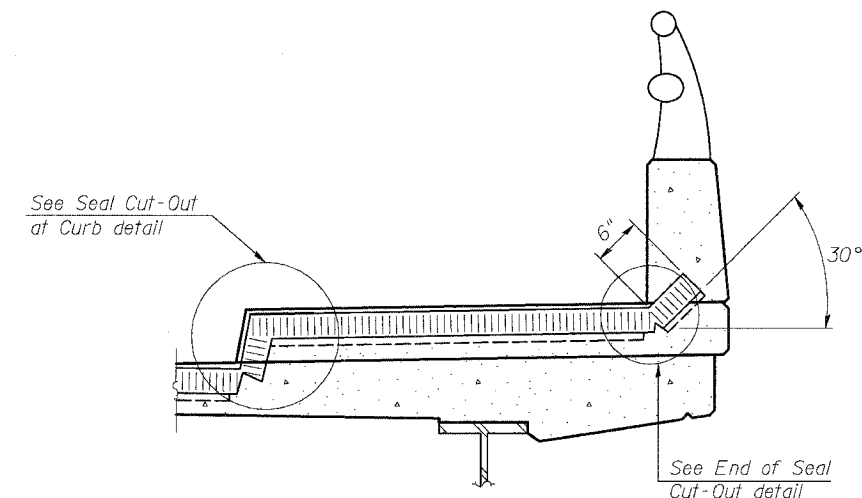
PREFORMED JOINT SEAL



AT CURB, PARAPET, OR WALL
(Showing seal)



AT CURB, PARAPET, OR WALL
(Showing plate)

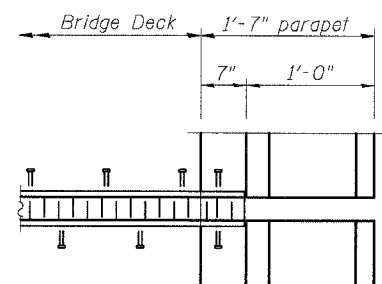


AT SIDEWALK OR MEDIAN**

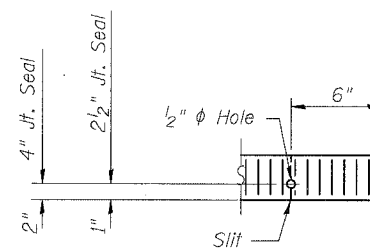
(Showing plate and seal)

** Shorter plates with a single row of studs at 12" centers may be necessary on medians which are shallower than 9". See manufacturer's recommendation.

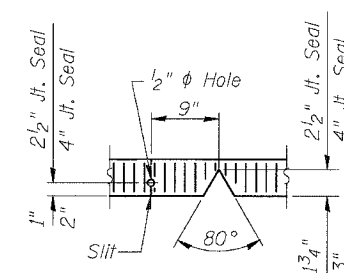
TYPICAL END TREATMENTS



PLAN AT PARAPET



END OF SEAL CUT-OUT



SEAL CUT-OUT AT CURB

(Sheet 1 of 2)

REVISIONS		DATE
NAME		

ILLINOIS DEPARTMENT OF TRANSPORTATION
 F.A.I. 94/90 (DAN RYAN EXPRESSWAY)
 SB DAN RYAN ELEVATED BRIDGE
 REPAIR FROM 15TH TO 28TH STREETS
 BRIDGE JOINT SYSTEM - EXPANSION
 (PREFORMED JOINT SEAL)

SCALE: NTS
 DATE: 5/25/2006

DRAWN BY: BDC
 CHECKED BY: BLU

BOWMAN, BARRETT & ASSOCIATES INC.
 CONSULTING ENGINEERS
 Chicago, Illinois
 312.228.0100
 www.bbainc.com

EJ-BJS 9-01-03

10/08/24 AM 5/25/2006