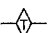






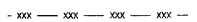


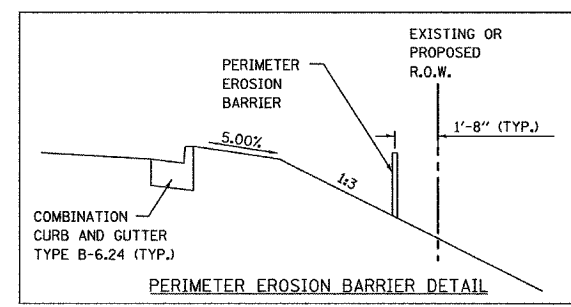
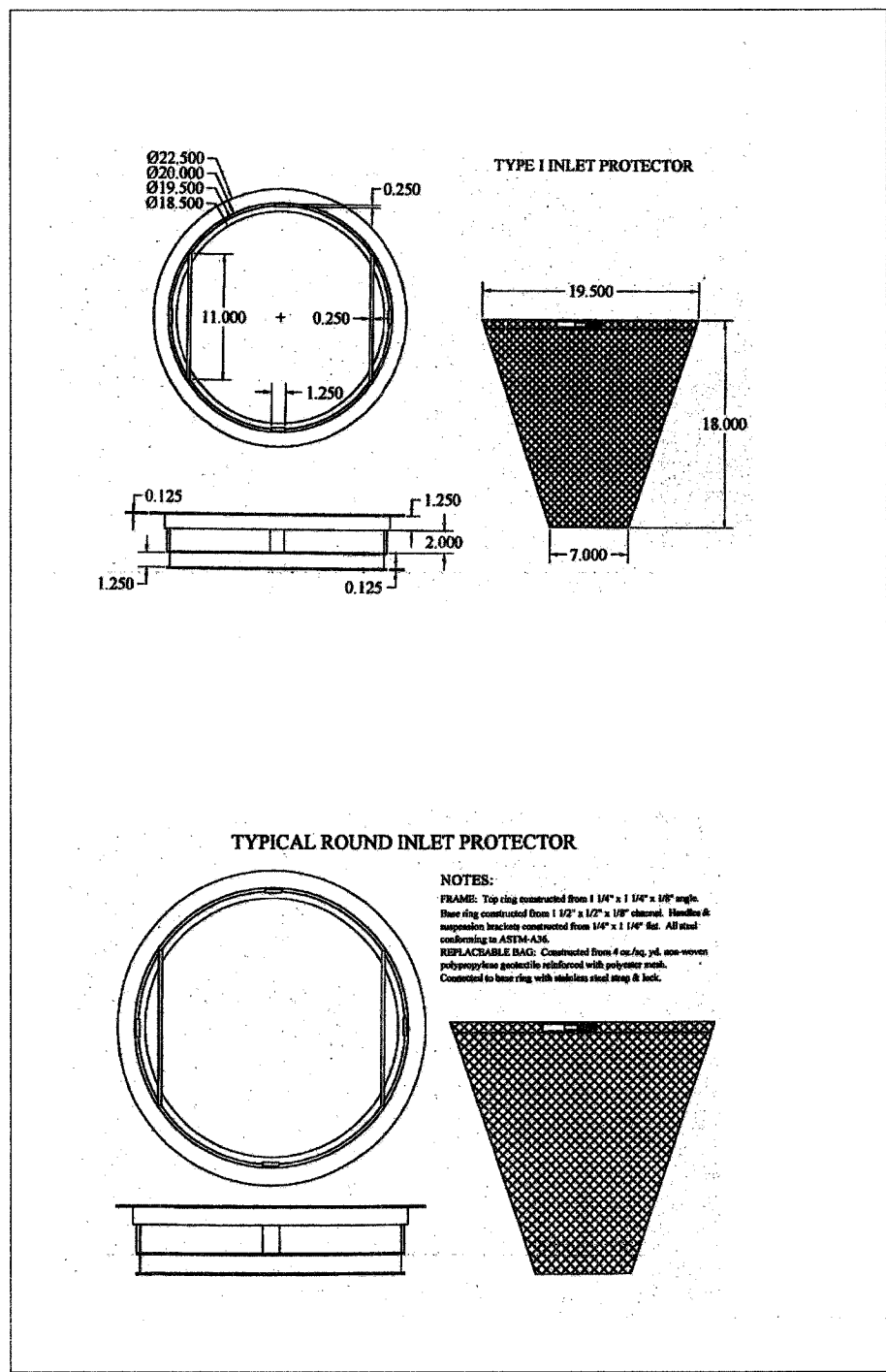
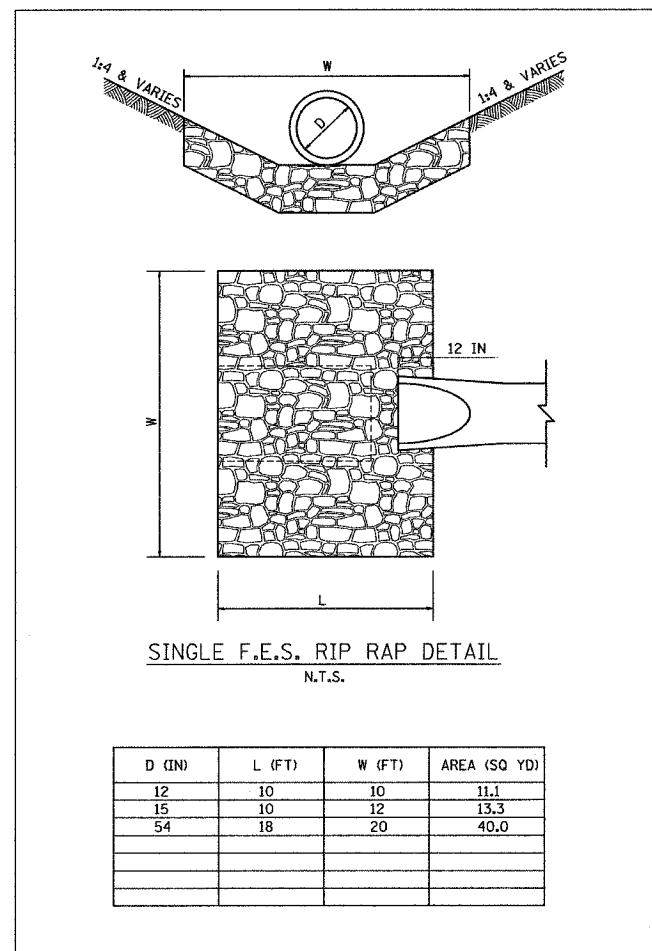
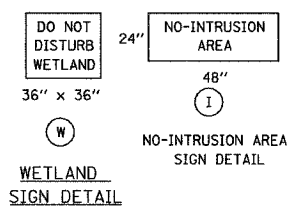
F.A.U. RTE.	SECTION	COUNTY	TOTAL SHEETS	SHEET NO.
3578	1327B	COOK	108	17
STA. 1503+19.73		TO STA. 1528+17.76		
FED. ROAD DIST. NO. 1 ILLINOIS FED. AID PROJECT				

NOTES:

1. THE MCGINNIS SLOUGH NATURAL AREA AND ALL OTHER WETLANDS ARE NO-INTRUSION AREAS, EXCEPT WETLAND SITE 6, AND TEMPORARY FENCING SHALL BE PLACED AT THE CONSTRUCTION LIMITS PRIOR TO THE START OF CONSTRUCTION. THE FENCE SHALL BE KEPT THERE THROUGHOUT THE DURATION OF THE CONSTRUCTION SUCH THAT THERE IS NO INTRUSION INTO THE MCGINNIS SLOUGH NATURAL AREA.
2. THE CONTRACTOR WILL ASSUME RESPONSIBILITY FOR MAINTENANCE OF ALL SOIL EROSION CONTROL DURING CONSTRUCTION.
3. LOOSE MATERIAL DEPOSITED IN THE FLOW LINE OF THE GUTTERS OR DRAINAGE STRUCTURES SO THAT THE NATURAL FLOW OF WATER IS OBSTRUCTED SHALL BE REMOVED AT THE CLOSE OF EACH WORKING DAY.
4. SEE DRAINAGE PLANS FOR LOCATIONS OF EXISTING UTILITIES AND PROPOSED STORM SEWER.
5. CONTACT MR. RICK WANNER AT 847-405 4172 FOR THE LOCATION AND THE USE OF THE "DO NOT DISTURB WETLAND" SIGNS. PICKUP, INSTALLATION, MAINTENANCE, REMOVAL AND RETURN OF THE SIGNS ARE INCLUDED IN THE COST OF PERIMETER EROSION BARRIER.
6. AN ESTIMATED QUANTITY OF FOUR (4) TEMPORARY CATCH BASINS ARE PROVIDED.

SOIL EROSION AND SEDIMENT CONTROL CONSTRUCTION LEGEND:

-  TEMPORARY DITCH CHECKS
-  SEDIMENT CONTROL, DRAINAGE STRUCTURE INLET FILTER
-  PERIMETER EROSION BARRIER
-  SWALE
-  RIPRAP
-  DITCH FLOW
-  TEMPORARY EROSION CONTROL SEEDING WITH EROSION CONTROL BLANKET
-  TEMPORARY FENCE



DETAIL FOR SEDIMENT CONTROL DRAINAGE STRUCTURE INLET FILTER CLEANING

REVISIONS	
NAME	DATE

ILLINOIS DEPARTMENT OF TRANSPORTATION
 F.A.U. ROUTE 3576 (IL. ROUTE 7)
**IL. ROUTE 7
 EROSION AND SEDIMENT
 CONTROL DETAILS
 AND NOTES**
 SCALE: VERT. _____
 HORIZ. _____
 DATE: MAR. 10, 2006
 DRAWN BY BCD
 CHECKED BY SLR