

ROUTE NO.	SECTION	COUNTY	TOTAL SHEETS	SHEET NO.
FAU 3578	1327B	COOK	108	39
FED. ROAD DIST. NO. 7		ILLINOIS	FED. AID PROJECT	

SHEET NO. 11  
35 SHEETS

Joint Size	"C" at 50°F	"D" at 50°F
2"	2"	1 1/2" Min.
2 1/2"	2 1/2"	1 3/4" Min.
4"	3"	2 1/2" Min.

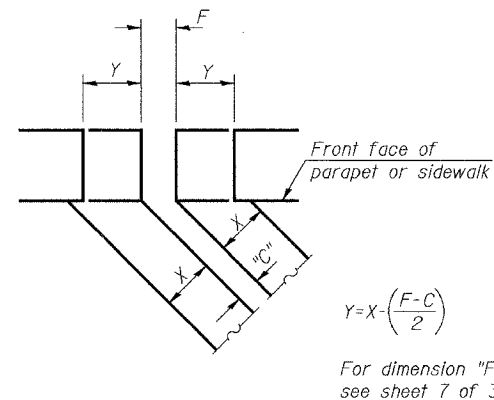
**INSTALLATION NOTES**

- Install continuous seal in roadway, parapet, curb, and sidewalk.
- Install anchor blocks as indicated.

Note A:  
Maximum spacing of anchor bolts shall be 12" centers.

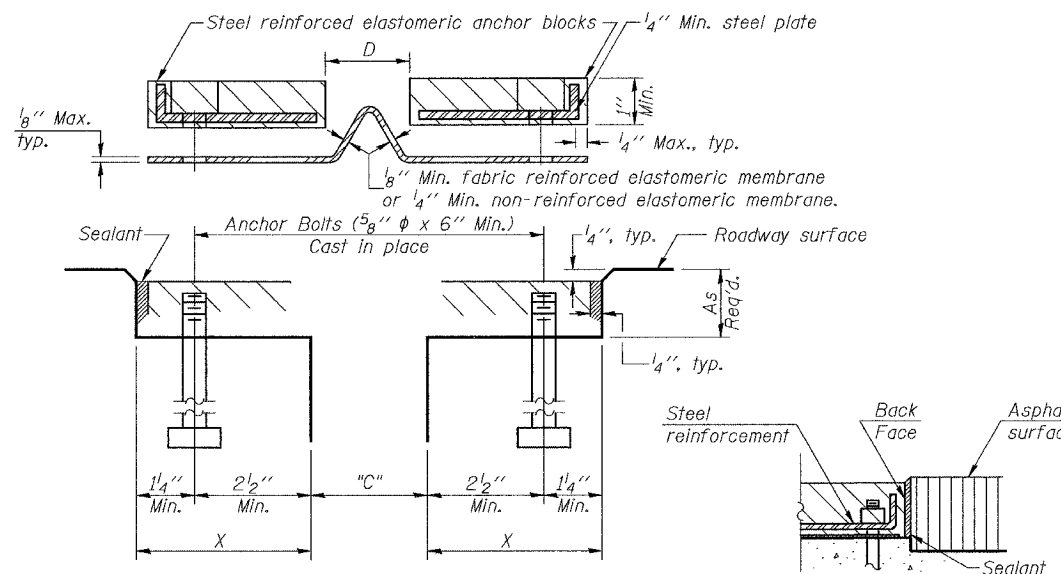
**SKEW LIMITATIONS**

The details of the anchor blocks and the elastomeric membrane in the parapet, as shown, are for up to 50° skews. For skews greater than 50°, the anchor blocks and the elastomeric membrane, installed according to dimension "D", might require modifications to insure a minimum clearance of 1/2" from centerline of anchor studs to edge of parapet opening. The anchor blocks and the elastomeric membrane shall also be installed to the top of the parapet with the anchor studs spaced at ±12" cts.



**FORMING BLOCKOUT SKETCH**

**STATE OF ILLINOIS DEPARTMENT OF TRANSPORTATION**

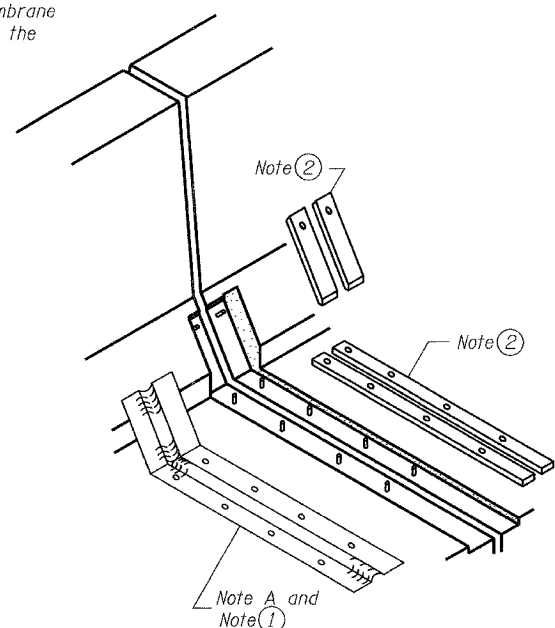


**CROSS SECTION**

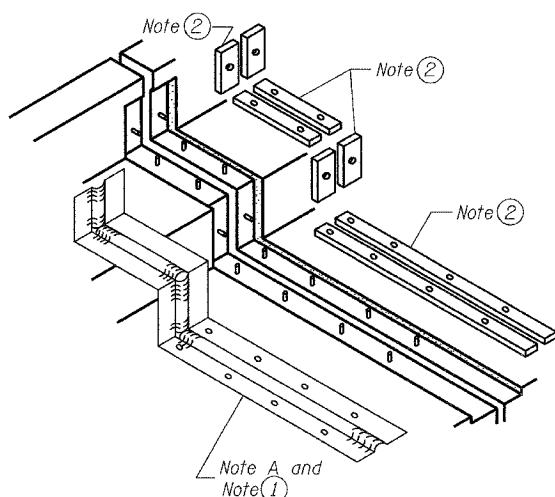
**ANCHOR BLOCK WITH ASPHALT SURFACE**

**GENERAL NOTES**

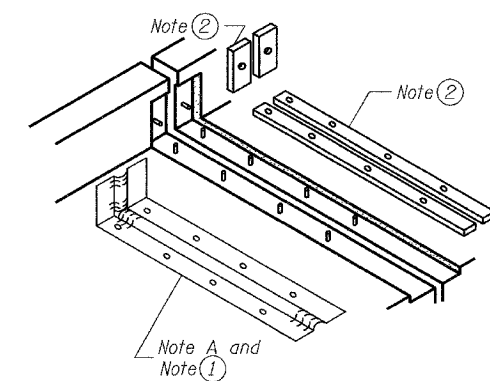
Continuous Seal Neoprene Expansion Joint shall consist of molded anchor blocks of elastomer and steel, field assembled over continuous lengths of elastomeric membrane. The elastomeric membrane shall be premolded with a single or a double upward convolution that will have a "memory" to return to its molded position upon joint closure. The convolution length shall be such that the extended length will not be greater than the manufactured length when the joint is fully expanded in its design range and will not protrude above the anchor blocks when the joint is fully compressed. Joint openings shall be adjusted according to Article 503.10(c) of the Standard Specifications when the deck is poured at an ambient temperature other than 50° F. The parapet and roadway membrane shall be made continuous by an approved vulcanizing process. Lapping will not be permitted.



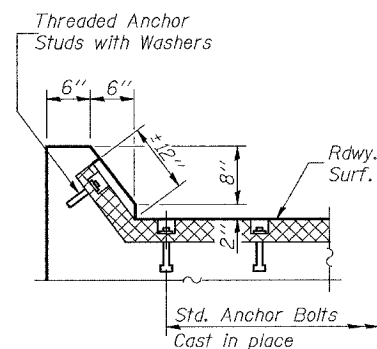
**AT PARAPET**



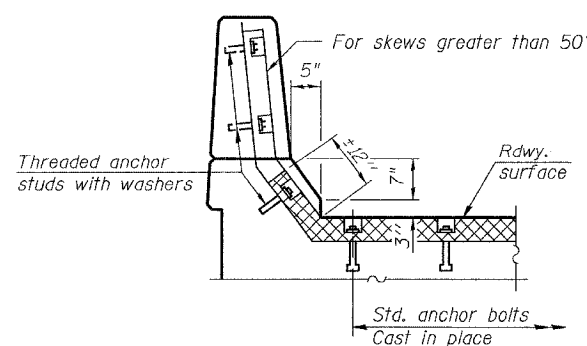
**AT SIDEWALK OR MEDIAN**



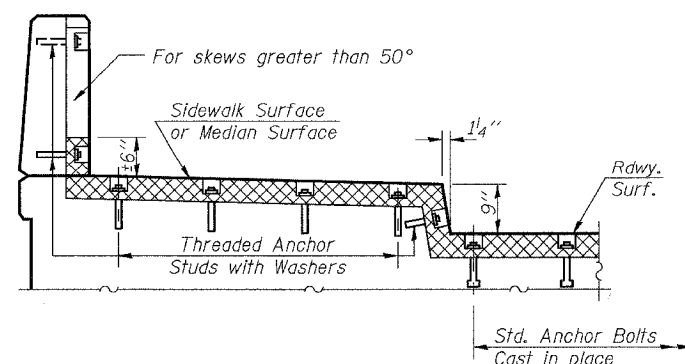
**AT WALL**



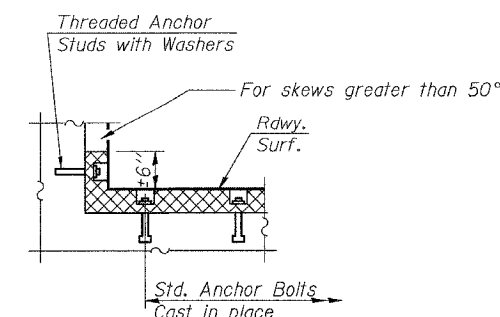
**AT CURB**



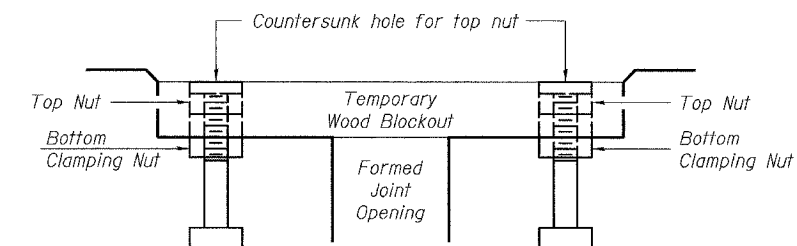
**AT PARAPET**



**AT SIDEWALK OR MEDIAN TYPICAL END TREATMENTS**



**AT WALL**



**RECOMMENDED BLOCKOUT DETAIL**

Note:  
Stud needs to be threaded lower to allow for use of clamping nut.

Anchor studs should be stainless

DESIGNED -
CHECKED -
DRAWN GM
CHECKED SRT
EJ-CS

**B** Bollinger, Lach & Associates, Inc.

10-22-04

**CONTINUOUS SEAL TYPE NEOPRENE JOINT DETAIL**  
IL 7 (SOUTHWEST HIGHWAY) OVER US 45 (LA GRANGE ROAD)  
F.A.U. ROUTE 3578 SECTION 1327B  
COOK COUNTY  
STA. 1516+85.79  
STRUCTURE NUMBER 016-2847