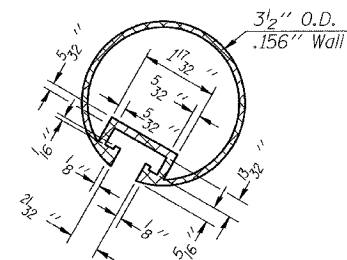


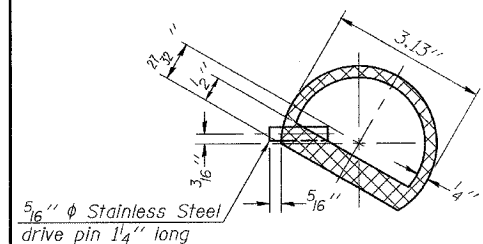
STATE OF ILLINOIS
DEPARTMENT OF TRANSPORTATION

ROUTE NO.	SECTION	COUNTY	TOTAL SHEETS	SHEET NO.
FAU 3578	1327B	COOK	108	41
FED. ROAD DIST. NO. 7	ILLINOIS	FED. AID PROJECT		

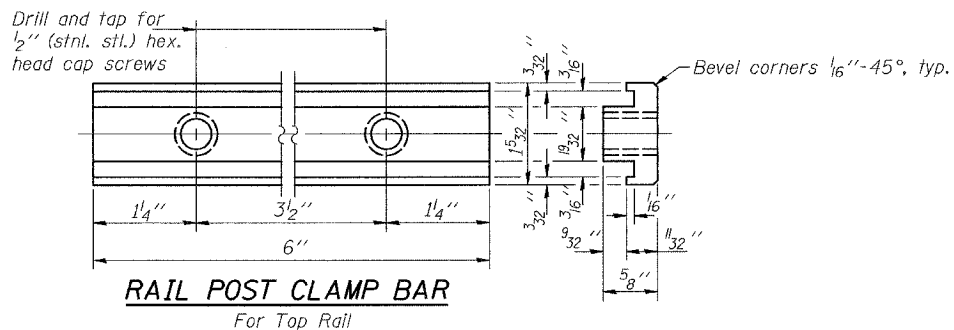
SHEET NO. 13
35 SHEETS



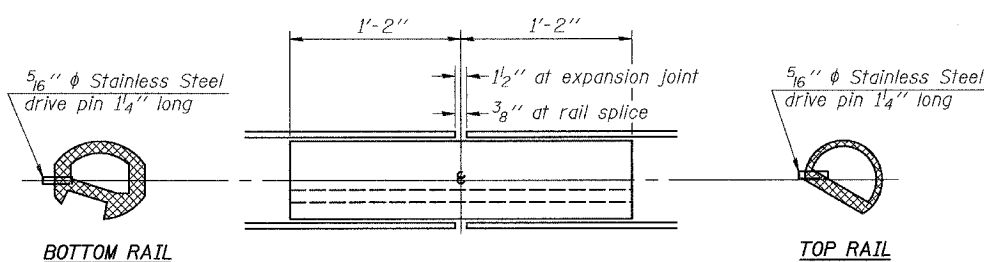
SECTION THRU TOP RAIL



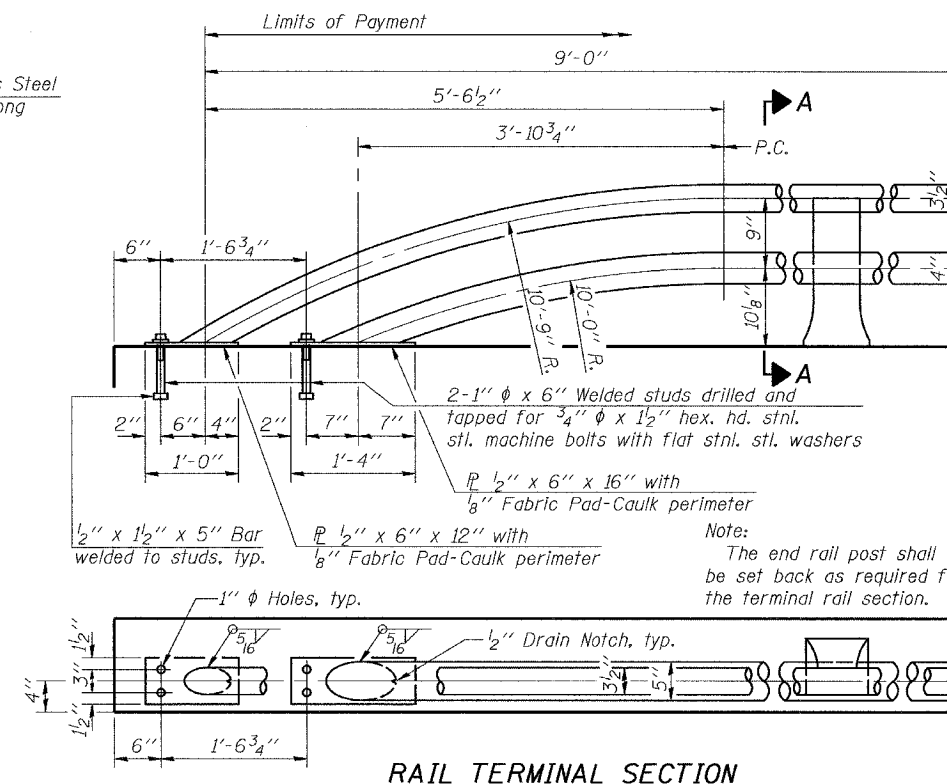
SECTION THRU SPLICE
For Top Rail



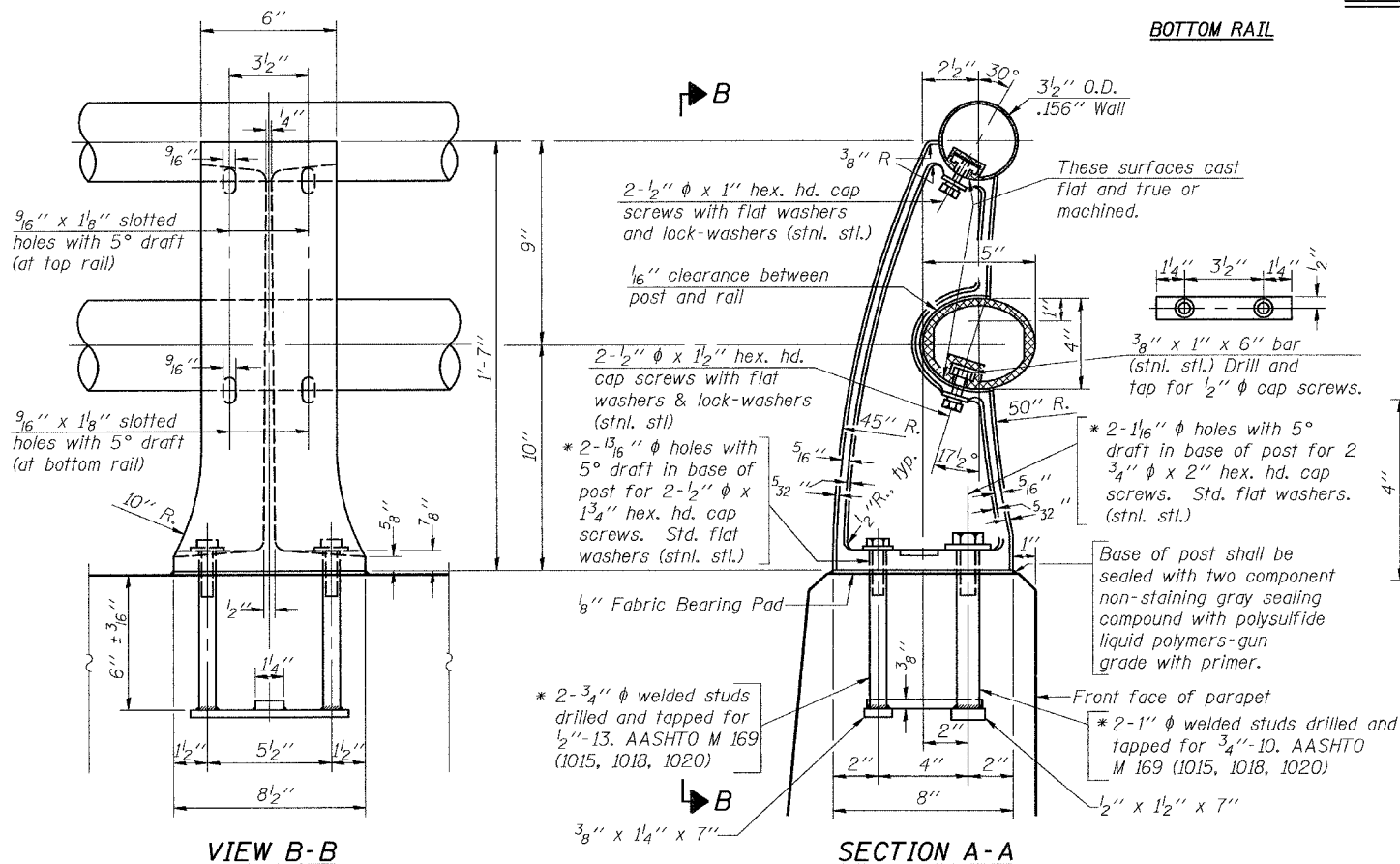
RAIL POST CLAMP BAR
For Top Rail



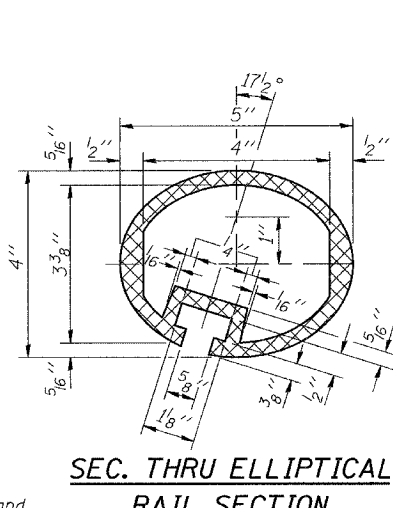
RAIL SPLICE



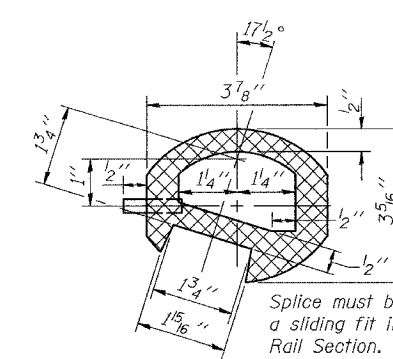
RAIL TERMINAL SECTION



RAIL POST DETAILS



SEC. THRU ELLIPTICAL
RAIL SECTION



SEC. THRU SPLICE

Notes:
All Posts shall be normal to parapet.
All Aluminum Alloy Extruded Rail shall be supplied in modular lengths of 30 feet, except at the end of bridge or over open joints in bridge deck where the rail shall be attached to a minimum of 2 posts. If the rail is on a horizontal curve of 2300 foot radius or less, the modular lengths may be reduced but shall be attached to a minimum of 2 posts.
All joints in rail shall be spliced per detail.
Provide 1-1/8" and 2-1/16" Aluminum Shims for 25% of the Posts.
Rail elements shall be parallel to Grade-high spots will be ground and low spots shimmed.
Railing shall be according to Section 509 of the Standard Specifications, except as noted, and will be paid for at the contract unit price per foot for ALUMINUM RAILING, TYPE L.
Aluminum alloy rail shall conform to ASTM B 221 alloy 6061-T6 or 6351-T5 with min. yield 35 ksi, min. tensile 38 ksi, and elongation of 10% in 2 inches.

BILL OF MATERIAL

Item	Unit	Quantity
Aluminum Railing, Type L	Foot	291

TYPE L ALUMINUM RAILING

IL 7 (SOUTHWEST HIGHWAY) OVER
US 45 (LA GRANGE ROAD)
F.A.U. ROUTE 3578 SECTION 1327B
COOK COUNTY
STA. 1516+85.79
STRUCTURE NUMBER 016-2847

DESIGNED -
CHECKED -
DRAWN GM
CHECKED SRT

B Bollinger, Lach & Associates, Inc.

R-20 10-22-04

* In lieu of the cast-in-place anchor device shown, the Contractor has the option of drilling and epoxy grouting stainless steel anchor rods of the same diameter and grade as the specified cap screws. Embedment shall be according to the manufacturer's specifications.