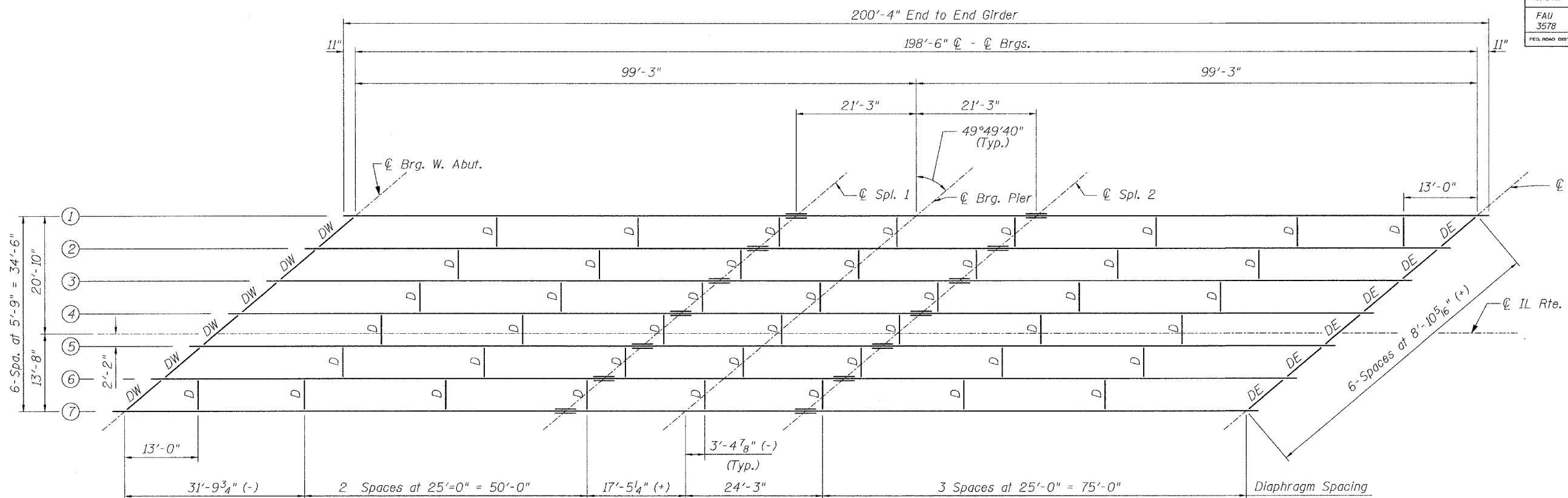
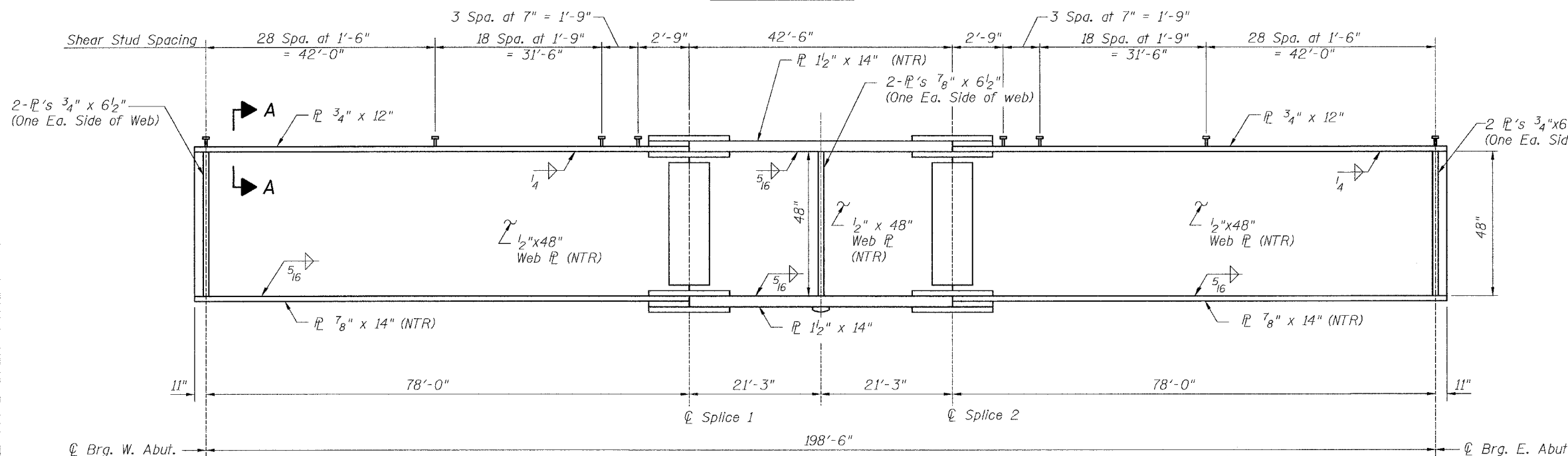


ROUTE NO.	SECTION	COUNTY	TOTAL SHEETS	SHEET NO.
FAU 3578	1327 B	COOK	108	42
FED. ROAD DIST. NO. 7	ILLINOIS	FED. AID PROJECT		

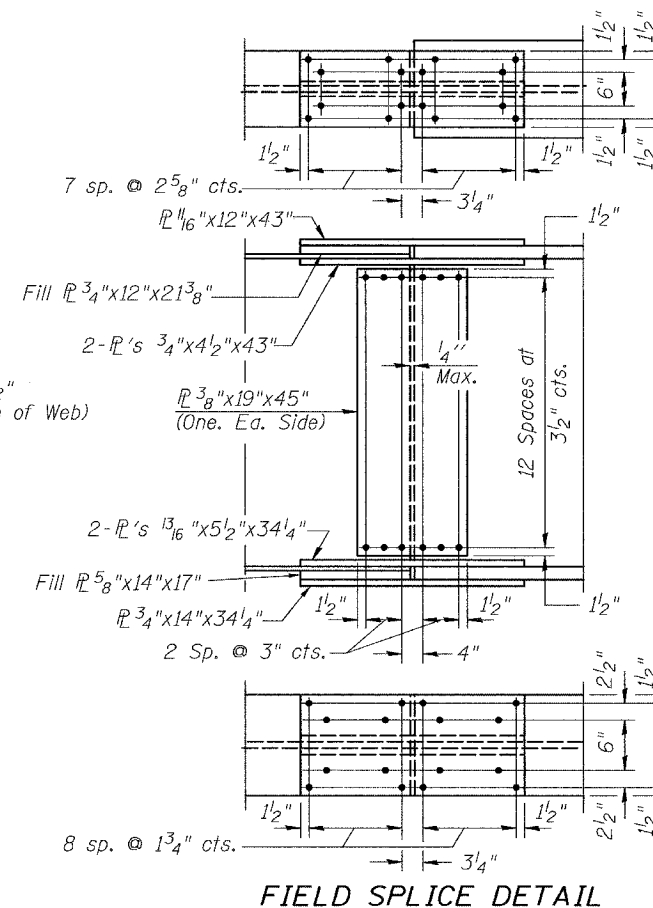
SHEET NO. 14
35 SHEETS



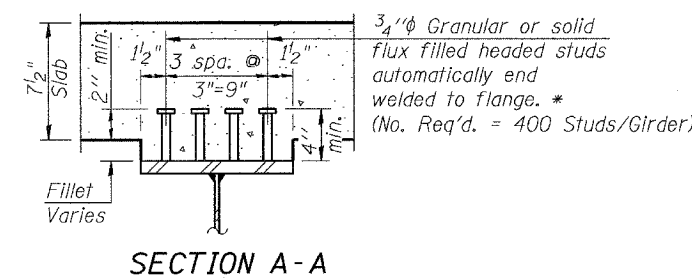
FRAMING PLAN



GIRDER ELEVATION



FIELD SPLICE DETAIL



SECTION A-A

* Space Studs on Girder 2 to clear drainage scuppers. See Sht. 1 and 9 of 35.

"NTR" denotes plates to which notch toughness requirements are applicable.

STUD SHEAR CONNECTORS INCLUDED IN THIS CONTRACT, REMAINDER IS FOR ERECTION ONLY.

DESIGNED	SRT
CHECKED	JJI
DRAWN	GM
CHECKED	JJI

Bollinger, Lach & Associates, Inc.

G-1 10-22-04

STRUCTURAL STEEL FRAMING PLAN

**IL 7 (SOUTHWEST HIGHWAY) OVER US 45 (LA GRANGE ROAD)
F.A.U. ROUTE 3578 SECTION 1327B
COOK COUNTY
STA. 1516+85.79
STRUCTURE NUMBER 016-2847**