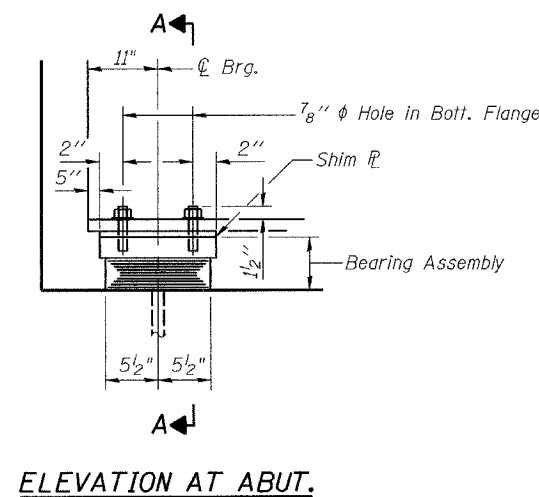
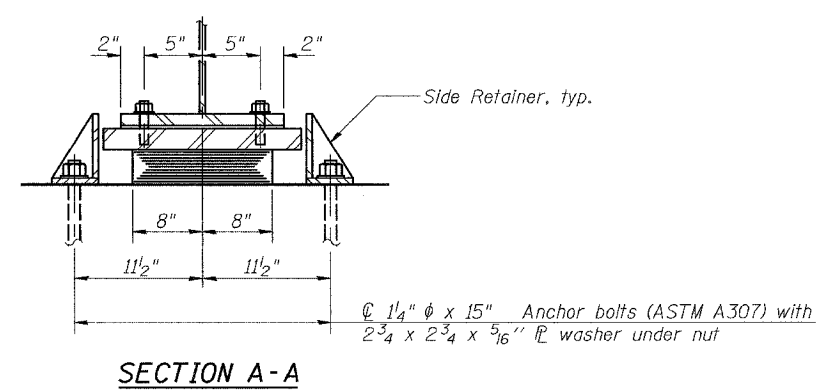


ROUTE NO. FAU 3578	SECTION 1327 B	COUNTY COOK	TOTAL SHEETS 108	SHEET NO. 45	SHEET NO. 17 35 SHEETS
FED. ROAD DIST. NO. 7		ILLINOIS	FED. AID PROJECT		

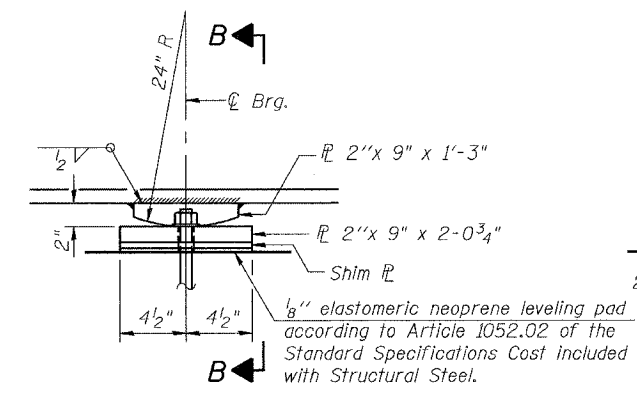
STATE OF ILLINOIS  
DEPARTMENT OF TRANSPORTATION



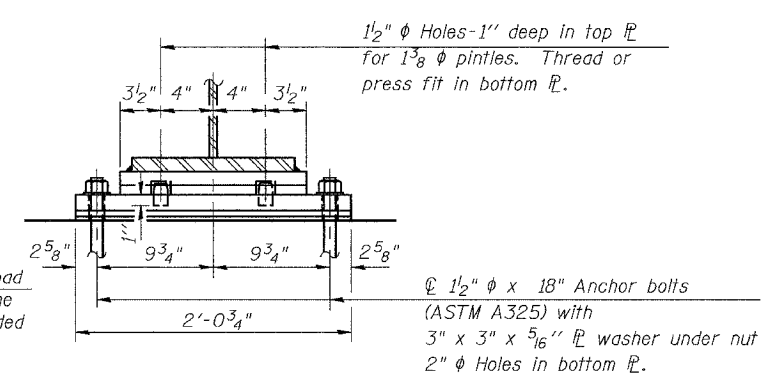
ELEVATION AT ABUT.



SECTION A-A

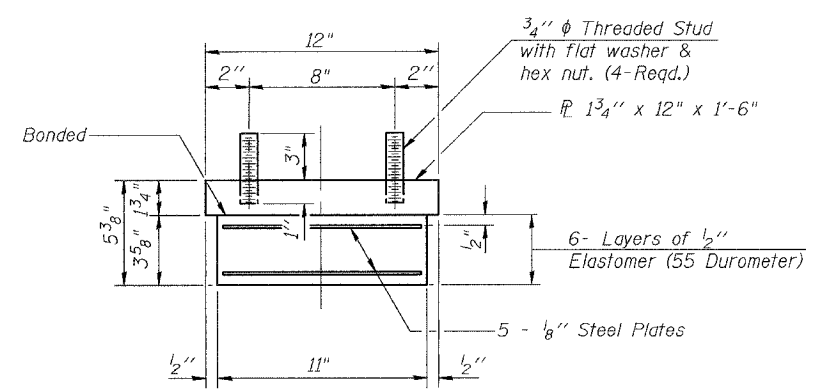


ELEVATION AT PIER



SECTION B-B

TYPE I ELASTOMERIC EXP. BRG.

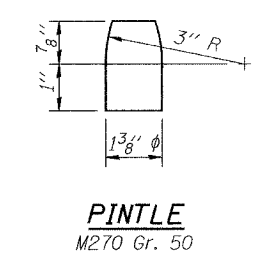


BEARING ASSEMBLY

Note:  
Shim plates shall not be placed under Bearing Assembly.

Notes:  
Anchor bolts at fixed bearings may be built into the masonry.  
See sheet 18 for Anchor Bolt installation.  
Structural steel for bearing plates shall conform to the requirements of AASTHO M270 Gr. 50.

FIXED BEARING

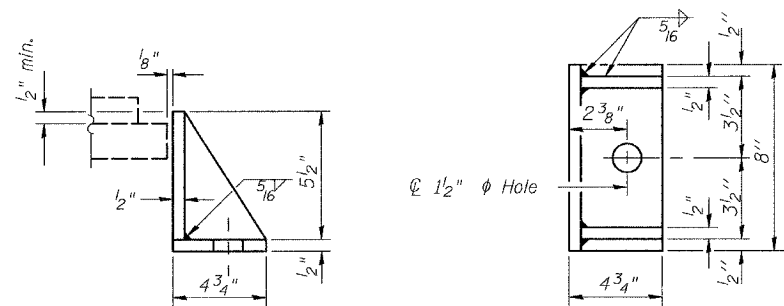


PINTLE  
M270 Gr. 50

SHIM PLATES

Location	Girder						
	1	2	3	4	5	6	7
West Abutment	-	-	-	-	-	-	1/16"
Pier 1	-	-	-	-	-	-	-
East Abutment	-	-	-	-	-	-	-

Weight included with Structural Steel



SIDE RETAINER

Equivalent rolled angle with stiffeners will be allowed in lieu of welded plates.  
Weight included with Structural Steel.

ANCHOR BOLTS ARE INCLUDED IN THIS CONTRACT, REMAINDER IS FOR ERECTION ONLY.

BILL OF MATERIAL

Item	Unit	Total
Erecting Elastomeric Bearing Assembly Type I	Each	14

BEARINGS

IL 7 (SOUTHWEST HIGHWAY) OVER US 45 (LA GRANGE ROAD)  
F.A.U. ROUTE 3578 SECTION 1327B  
COOK COUNTY  
STA. 1516+85.79  
STRUCTURE NUMBER 016-2847

DESIGNED	JJI
CHECKED	SRT
DRAWN	MD
CHECKED	SRT

Bollinger, Lach & Associates, Inc.

I-2-E1 10-22-04